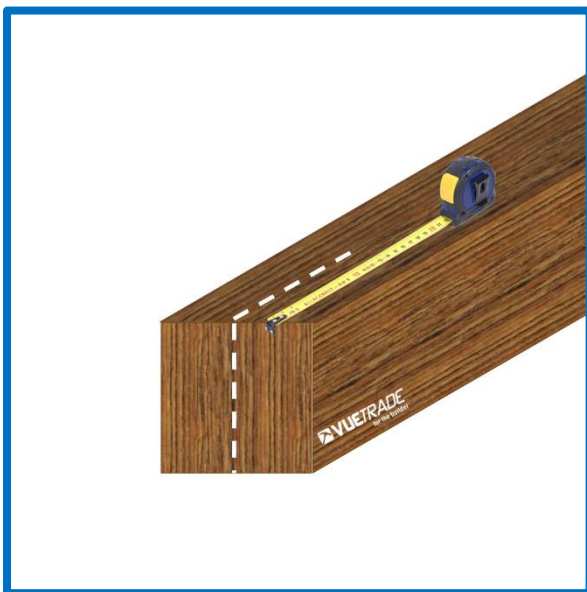


# INSTALLATION GUIDE – INSTALLING T BLADE POST ANCHORS – ALLOWING FOR TERMITE INSPECTION PAGE 1

This VUETRADE™ Installation Guide details how to install a T Blade Post Support with or without a T Blade Cap.

*Under the AS 3660.1-2014 Termite Management Standards, it is recommended to allow a 75mm clear space from the bottom of the timber post for a visual inspection for termite activity. The 75mm must be from finished ground, landscaping or paving/concrete level.*

## Step 1: Cut Slot Into Base Of Timber Post



⇒ Measuring up from the base of the post ensuring space is allowed for the base plate bolt heads, T Blade Cap and Termite Inspection. Cut a 10.0mm wide slot in the centre of the timber post base

Product Code	Suits Post Size	Slot Size
VBPTB90100	90mm-100mm	175mm
VBPTB115140	115mm-140mm	200mm
VBPTB150180	150mm-180mm	225mm
VBPTB180200	180mm-200mm	275mm



## Step 2: Drill Bolt Holes Into Timber Posts

⇒ Lay the post support on the outside of the post, lining up the top of the blade with the top of the slot. There should be a gap between the post support base and the timber post base, to allow space for bolt heads and T Blade Cap.

⇒ Using the marked holes, drill the hole to suit your post support

Product Code	T-Blade Hole Size	Recommended Hole Size for Timber	Minimum Bolt Size
VBPTB90100	14mm	12mm	12mm
VBPTB115140	18mm	16mm	16mm
VBPTB150180	18mm	16mm	16mm
VBPTB180200	18mm	16mm	16mm

# INSTALLATION GUIDE – INSTALLING T BLADE POST ANCHORS – ALLOWING FOR TERMITE INSPECTION PAGE 2



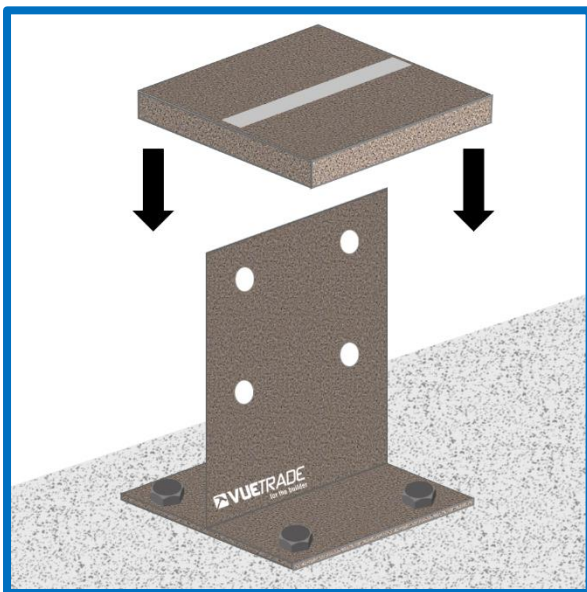
## Step 3: Bolt Down T-Blade Post Support

⇒ Place the post support in position and bolt down using screw bolts (See Table 3)

**Table 3**

Product Code	Base Plate Hole Size	Recommended Hole Size for Concrete	Minimum Bolt Size
VBPTB90100	14mm	12mm	12mm
VBPTB115140	18mm	16mm	16mm
VBPTB150180	18mm	16mm	16mm
VBPTB180200	18mm	16mm	16mm

## Step 4: Slide Cap Over T-Blade Post Support

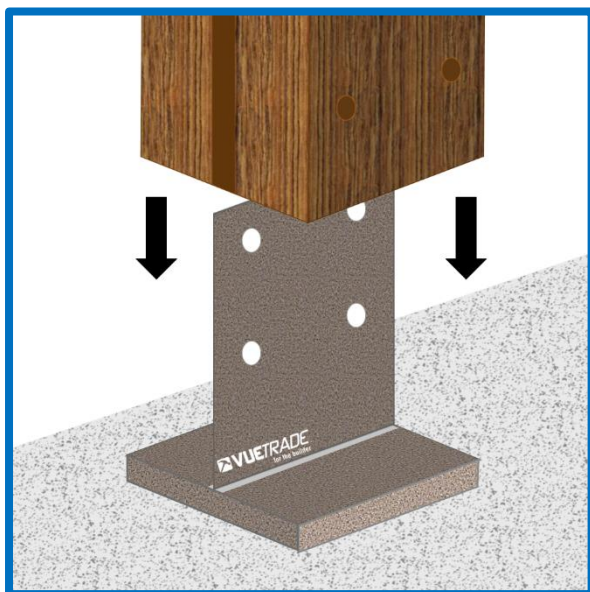


⇒ **If using**, Slide the T-Blade Cap over the installed post anchor, covering the bolts.

**Ensure you fit the bolt concealing cap PRIOR to bolting the post to the post support – T Blade Caps cannot be retro-fitted!**

# INSTALLATION GUIDE – INSTALLING T BLADE POST ANCHORS – ALLOWING FOR TERMITE INSPECTION PAGE 3

## Step 5: Slide Timber Post Over T-Blade Post Support



⇒ **Slide Timber Post Over T-Blade Post Support** - the pre-drilled holes in the timber post will match up with the holes in the post support

## Step 6: Bolt Timber Post Onto The T-Blade Post Support



⇒ **Using bolts to suit the post support size, bolt the timber post into position** (See Table 2)

Table 2

Product Code	T-Blade Hole Size	Recommended Hole Size for Timber	Minimum Bolt Size
VBPTB90100	14mm	12mm	12mm
VBPTB115140	18mm	16mm	16mm
VBPTB150180	18mm	16mm	16mm
VBPTB180200	18mm	16mm	16mm