



GALVANISED CYCLONIC POST SUPPORTS

JUN23

Compliant with the requirements of AS1684 and AS1720.

G GALVANISED

CYCLONIC

CAST INTO CONCRETE



APPLICATION

VUETRADE Cyclonic Post Anchor is engineered and designed for use in cyclonic prone areas. The U-shaped base provides excellent anchorage setting into concrete to withstand large force imposed by high winds and cyclones.

SPECIFICATION

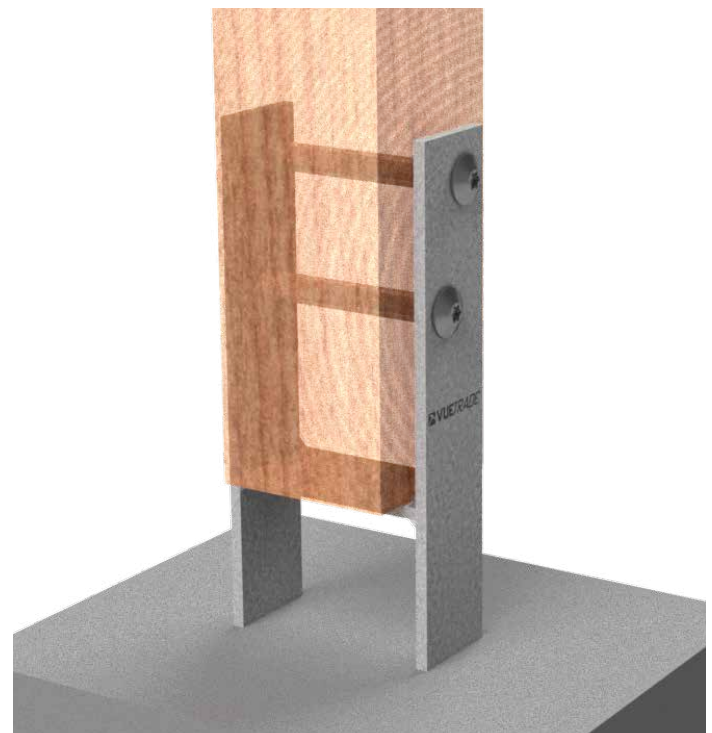
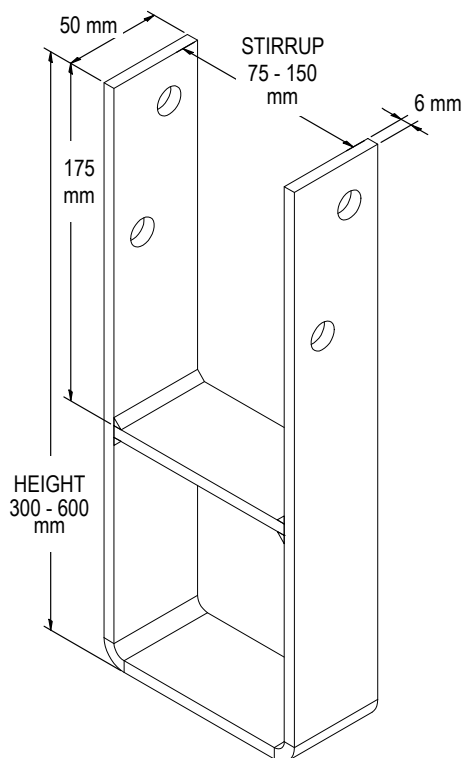
VUETRADE Cyclonic Post Support are manufactured out of G300 steel of 6mm thickness and corrosion protected with Hot-Dipped Galvanised.

FASTENERS

Saddle: 2x Zinc-Nickel Coated VUEBOLT or appropriate M12 bolts with hex nuts

SIZES

Product Code	Height (mm)	Stirrup Size (mm)	Box Qty
VCYPS30090	300	90	6
VCYPS300100	300	100	6
VCYPS45090	450	90	6
VCYPS450100	450	100	6
VCYPS450115	450	115	6
VCYPS450125	450	125	6
VCYPS60075	600	75	6
VCYPS60090	600	90	6
VCYPS600100	600	100	6
VCYPS600115	600	115	6
VCYPS600125	600	125	6
VCYPS600140	600	140	6
VCYPS600150	600	150	6

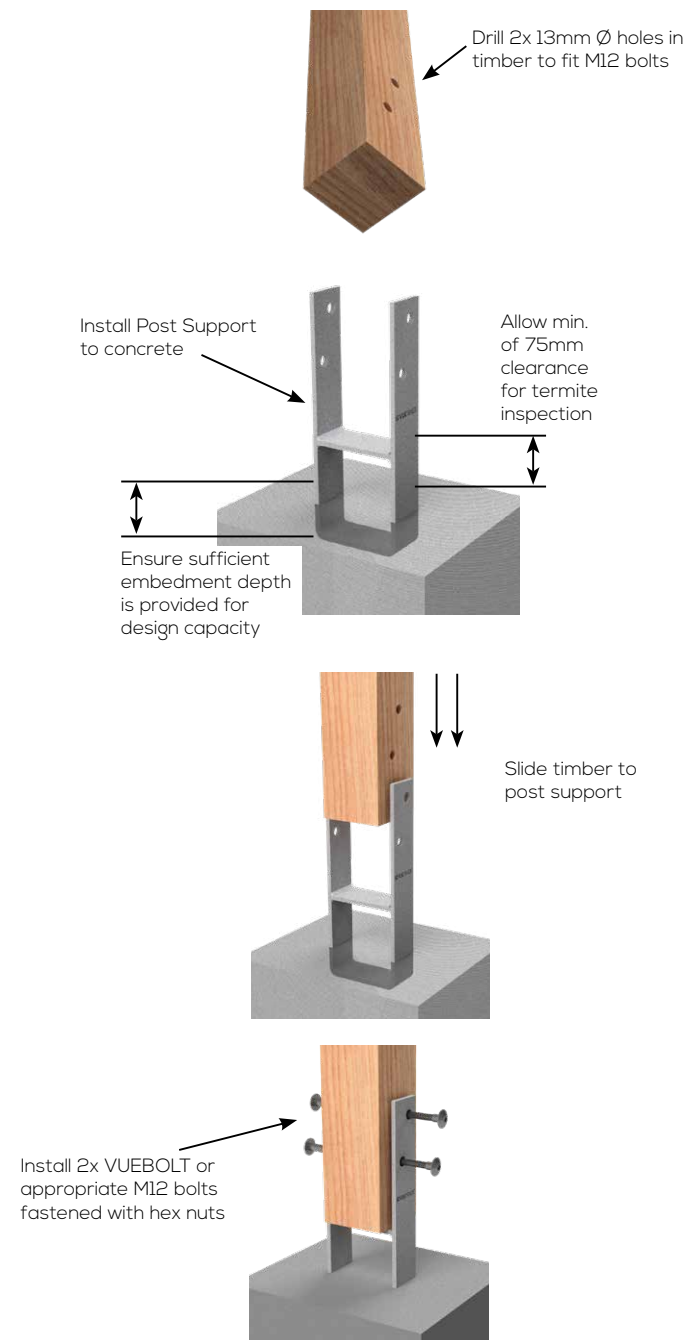




GALVANISED CYCLONIC POST SUPPORTS

JUN23

INSTALLATION GUIDE AND BOLT FIXING SCHEDULE



NOTES:

1. Embedment depth of the cyclonic post support should be determined and calculated a by Structural Engineer to achieve the reported design load. This usually depends on the type of concrete used, aggregate ratio etc.
2. 75mm clearance must be provided to conform to the requirements set out by AS3660.1:2014 - *Termite management, Part 1: New building work*.
3. Refer to AS1684.3:2021 Table 9.20 (j) for reinforced rod installation requirements.

DESIGN CAPACITY DATA

Table 1: Design capacity of cyclonic post support

Load Directions	Design Capacity, Ndj (kN) for timber species group JD4
Wind Uplift	41 kN

NOTES:

1. Design capacity in Table 1 applies to VUETRADE cyclonic post support where 2x M12 bolts are installed and tightly fastened with nuts.
2. Timber post dimensions must have minimum dimensions of 90mm by 90mm and shall be installed flat to the base of the cyclonic post support.
3. The design capacities are calculated based on the assumption that there is sufficient anchorage in the concrete to resist the pull-out force imposed by wind loading.
4. Design capacity in both tables are for wind uplift (vertical force direction) only and are obtained under test condition set out in AS1649-2001 - *Timber - Methods of test for mechanical fasteners and connectors*, along with appropriate computation from AS1720.1-2010.
5. VUETRADE Post Supports should only be used to resist wind uplift / dead load as specified in the TDS and should not be assumed to provide lateral stability. Sufficient bracing should be provided and approved by a structural engineer for lateral stability.

