

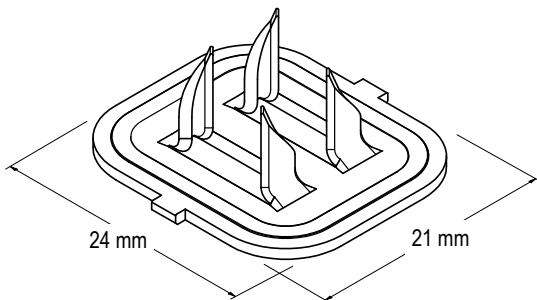
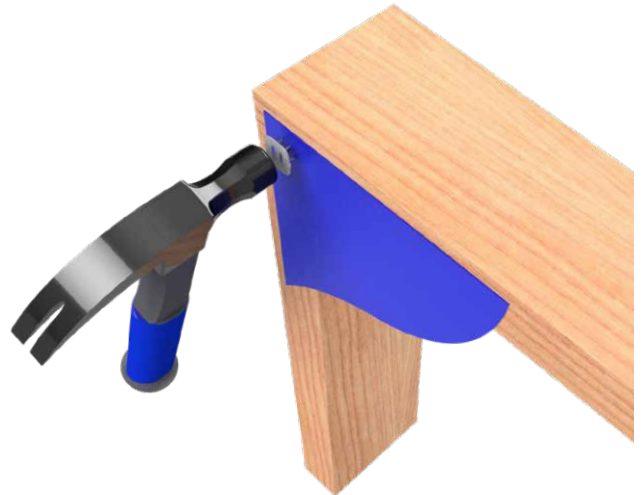
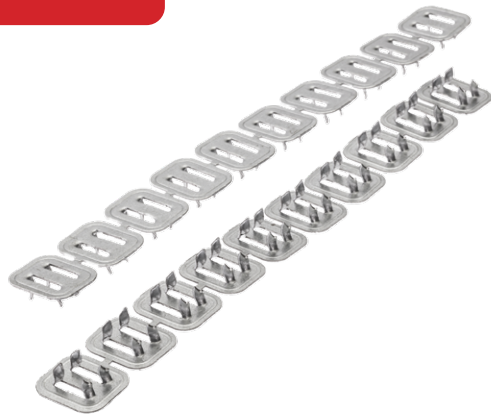


GALVANISED FOIL TACKS

JUN23

Compliant with the requirements of AS1684.

G GALVANISED



APPLICATION

VUETRADE Foil Tacks are designed to be tear resistant with a wide size and rounded edges. These features greatly reduce the tendency of the foil to tear in windy conditions. The twisted nail profile allows excellent penetration and holding power in all timber types and specifications.

SPECIFICATION

VUETRADE Foil Tacks are manufactured using G300 Z275 zinc galvanised steel with a thickness of 0.8mm. They come in an easily separable strip of 10.

SIZES

Product Code	Box Qty	Pallet Qty
VTFT	500	240

