

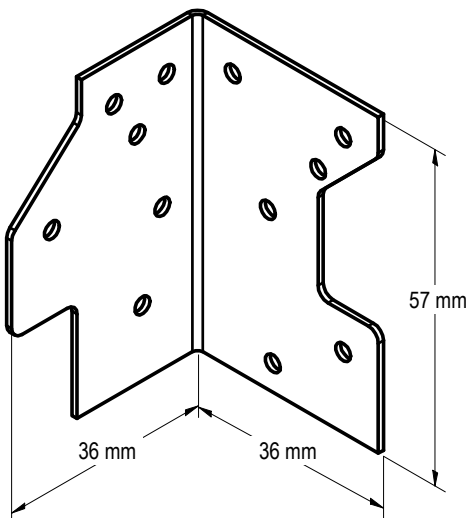


# STAINLESS STEEL MINI GRIPS

JUN23

Compliant with the requirements of AS1684.

**316 STAINLESS STEEL**



## APPLICATION

VUETRADE Stainless Steel Mini Grips are general purpose timber framing brackets used for joining timber members at right angles. These brackets can be used on pergolas, timber rails, fences and general joinery fit-out.

## SPECIFICATION

VUETRADE Stainless Steel Mini Grips are manufactured from 316 Stainless Steel in 1.0mm thickness.

## FASTENERS

**Nails:** Use only VUETRADE 30mm x 2.8mm Ø Stainless Steel Connector Plate Nails

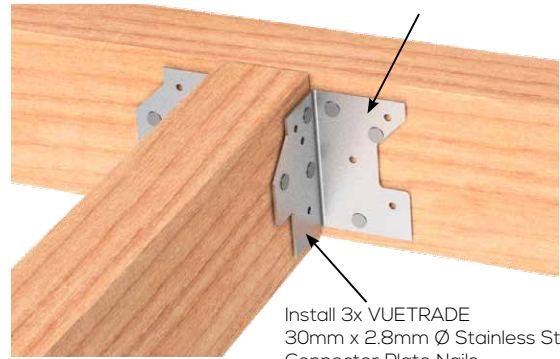
## SIZE

Product Code	Length (mm)	Box Qty
VTMG57SS	57	200

## INSTALLATION GUIDE

For each side of the supported timber:

Install 3x VUETRADE 30mm x 2.8mm Ø Stainless Steel Connector Plate Nails



## DESIGN CAPACITY DATA

Load ratings stated below are for when installed as a pair.

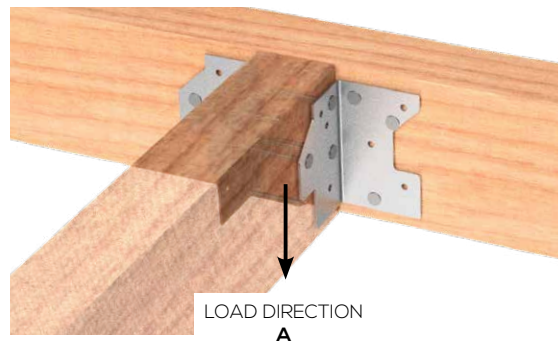


Table 1: Mini Grip Design Capacity Table – Load Direction A (capacity is for a pair of Mini Grips)

Load Directions	Design Capacity for Timber Joint Groups, kN					
	J3	J4	J5	JD3	JD4	JD5
<b>Dead Load, 1.35G</b>	2.3	1.6	1.2	3.2	2.3	1.9
<b>Dead &amp; Roof Live Loads, 1.2G+1.5Qr</b>	2.8	2.0	1.5	3.9	2.8	2.3
<b>Wind Uplift</b>	4.6	3.3	2.5	6.5	4.6	3.8

## NOTES:

- Design capacities in Table 1 apply when the minimum recommended nail fixings are fixed, as detailed in the installation guide section.
- To achieve greater design capacity, more nails may be installed into the pre-bored holes. NEVER punch nails through sheet metal as it may result in weaker, non-compliant connections.
- Design capacities in Table 1 are based on Category 1 joints where it is applicable for failures that would be unlikely to affect an area of greater than 25m<sup>2</sup>. For Category 2 and Category 3 joints, design capacities from the table are multiplied by 0.941 and 0.882 respectively.

