

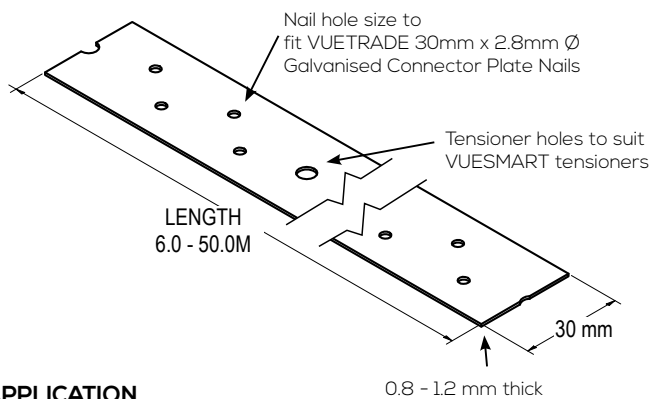


VUEBRACE GALVANISED PUNCHED BUILDER'S STRAPPING

JUL23

Compliant with the requirements of AS1684 and NCC2022.

G GALVANISED



APPLICATION

VUEBRACE Builder's Strapping is used for cross-bracing wall panels, roof trusses and flooring members.

SPECIFICATION

VUEBRACE Builder's Strapping are manufactured using G300 Z275 galvanised steel, fully compliant to material and corrosion protection requirement stipulated in AS1684.2:2021 and AS1684.3:2021, as well as AS1684.4-2010.

For further information about this products net sectional area compliance see Page 3.

FASTENERS

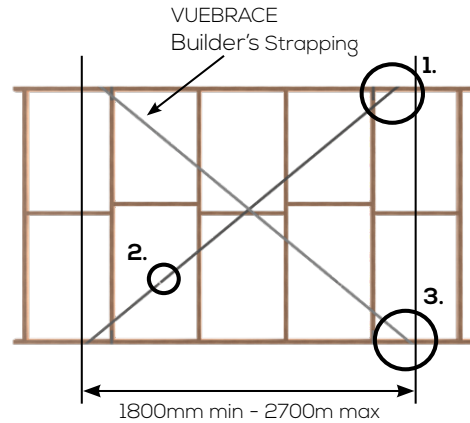
Nails: Use only VUETRADE 30mm x 2.8mm Ø Galvanised Connector Plate Nails

SIZES

Product Code	Size (mm)	Roll length (m)
VB3086	30 x 0.8	6
VB30815	30 x 0.8	15
VB30830	30 x 0.8	30
VB30850	30 x 0.8	50
VB3016	30 x 1.0	6
VB30115	30 x 1.0	15
VB30130	30 x 1.0	30
VB30150	30 x 1.0	50
VB301230	30 x 1.2	30
VB301250	30 x 1.2	50

METAL STRAPS - TENSIONED

(Bracing Capacity of 1.5kN/m),
Table 8.18 (b) from AS1684.2:2021 / AS1684.3:2021,
as well as AS1684.4-2010 Table 8.3(b)



See Detail A for fixing schedule

VUESMART Tensioners

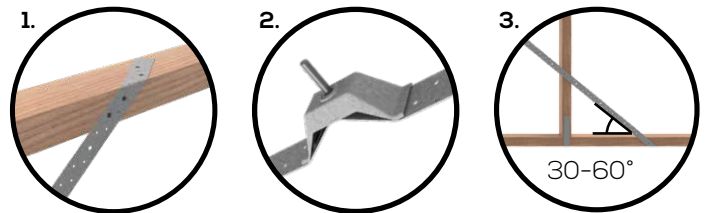


Table 1: Bracing capacity (kN) for different bracing length (m)

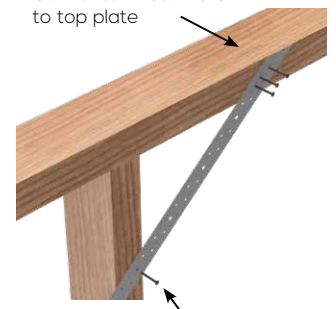
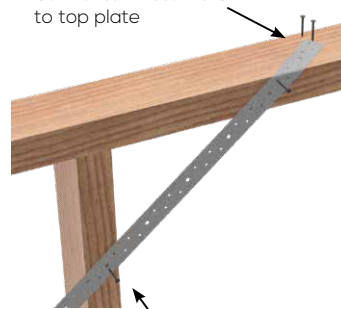
Wall height (m)	Bracing Length (m)									
	1.8	1.9	2.0	2.1	2.2	2.3	2.4	2.5	2.6	2.7
2.7	2.7	2.9	3.0	3.2	3.3	3.5	3.6	3.8	3.9	4.1
3.0	2.4	2.6	2.7	2.8	3.0	3.1	3.2	3.4	3.5	3.6

FIXING DETAILS A

WRAP OVER OR FACE FIXED

Install 3x VUETRADE 30mm x 2.8mm Ø Galvanised Connector Plate Nails to top plate

Install 3x VUETRADE 30mm x 2.8mm Ø Galvanised Connector Plate Nails to top plate



Install 1x VUETRADE 30mm x 2.8mm Ø Galvanised Connector Plate Nails to stud

Install 1x VUETRADE 30mm x 2.8mm Ø Galvanised Connector Plate Nail to stud



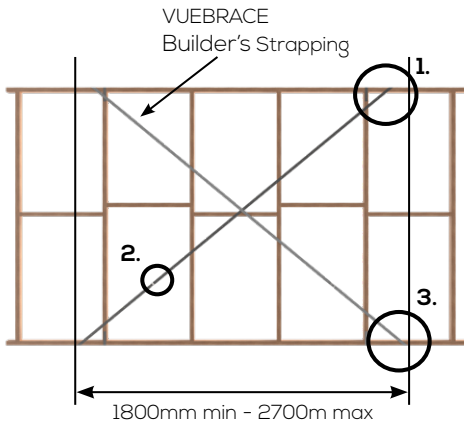


VUEBRACE GALVANISED PUNCHED BUILDER'S STRAPPING

JUL23

METAL STRAPS - TENSIONED - WITH STUD STRAPS

(Bracing Capacity of 3.0kN/m),
Table 8.18(d) from AS1684.2:2021 / AS1684.3:2021,
as well as AS1684.4-2010 Table 8.3(d)



See Detail B for
fixing schedule

VUESMART
Tensioners

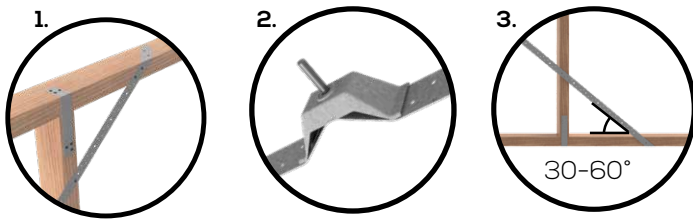
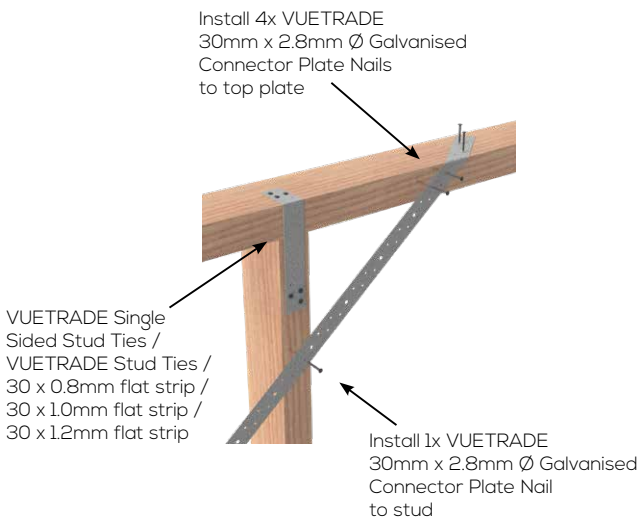


Table 2: Bracing capacity (kN) for different bracing length (m)

Wall height (m)	Bracing Length (m)									
	1.8	1.9	2.0	2.1	2.2	2.3	2.4	2.5	2.6	2.7
2.7	5.4	5.7	6.0	6.3	6.6	6.9	7.2	7.5	7.8	8.1
3.0	4.9	5.1	5.4	5.7	5.9	6.2	6.5	6.8	7.0	7.3

FIXING DETAILS B

WRAP OVER



BRACING CAPACITY AND HEIGHT MODIFICATION

Values shown in Table 1 & Table 2 above are valid for the wall heights stated. For wall heights greater than 2.7m, the capacity should be multiplied by values from Table 3.

Table 3: Bracing wall capacity / height multiplier

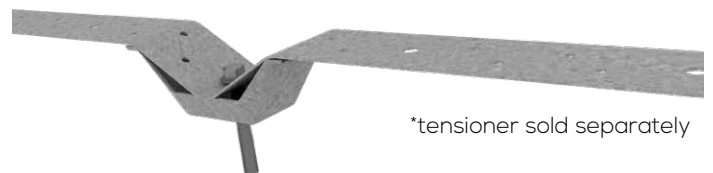
BRACING WALL CAPACITY / HEIGHT MULTIPLIER	
Wall Height, mm	Multiplier
3 000	0.90
3 300	0.80
3 600	0.75
3 900	0.70
4 200	0.64

DESIGN CAPACITY DATA

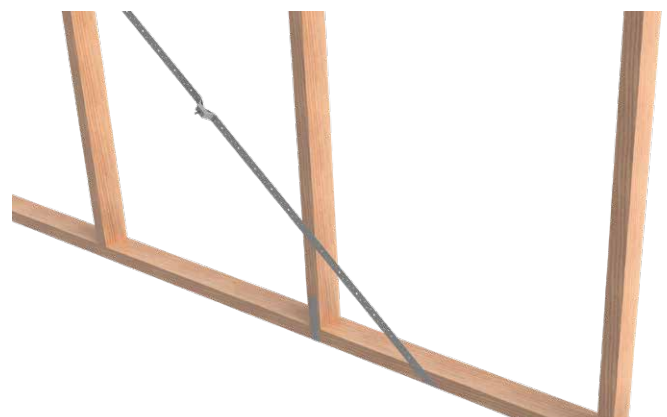
Table 4: VUEBRACE Builder's Strapping design capacity data

Brace Dimensions (Width x Thickness)	Tension Capacities (kN)
30mm x 0.8mm	6.3
30mm x 1.0mm	8.6
30mm x 1.2mm	11.2

Design capacities in Table 4 are obtained under test conditions.



*tensioner sold separately





VUEBRACE GALVANISED PUNCHED BUILDER'S STRAPPING

JUL23

VUEBRACE NET SECTIONAL AREA COMPLIANCE

VUEBRACE Builder's Strapping complies with the minimum net sectional area of strap required in AS1684.2:2021 & AS1684.3:2021 as follow:

- VUEBRACE 30mm x 0.8mm complies with min net sectional area of 15mm² for use on structural wall bracing following specification provided in AS1684.2:2021 & AS1684.3:2021 Table 8.18(b).
- VUEBRACE 30mm x 1.0mm complies with min net sectional area of 21mm² for use on structural wall bracing following specification provided in AS1684.2:2021 & AS1684.3:2021 Table 8.18 (d).

