

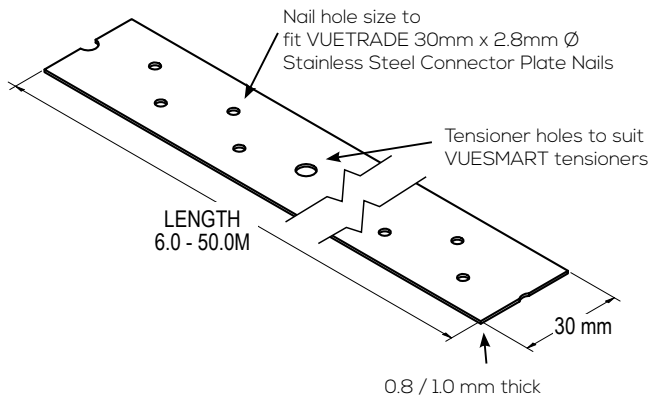


# VUEBRACE STAINLESS STEEL PUNCHED BUILDER'S STRAPPING

JUL23

Compliant with the requirements of AS1684 and NCC2022.

**316 STAINLESS STEEL**



## APPLICATION

VUEBRACE Stainless Steel Builder's Strapping is commonly used for cross-bracing wall panels, roof trusses and flooring members while requiring a much higher corrosion protection.

## SPECIFICATION

VUEBRACE Stainless Steel Builder's Strapping is manufactured using 316 Stainless Steel, fully compliant to material and corrosion protection requirements stipulated in AS1684.2:2021, AS1684.3:2021 and AS1684.4-2010.

For further information about this products net sectional area compliance see Page 3.

## FASTENERS

**Nails:** Use only VUETRADE 30mm x 2.8mm Ø Stainless Steel Connector Plate Nails

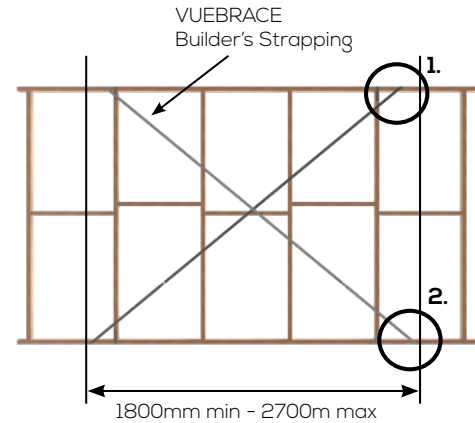
Usage of galvanised nails with Stainless Steel Builder's Strapping may result in bimetallic corrosion which will reduce the strapping design capacity.

## SIZES

Product Code	Size (mm)	Roll length (m)
VB30815SS	30 x 0.8	15
VB30830SS	30 x 0.8	30
VB30115SS	30 x 1.0	15
VB30130SS	30 x 1.0	30

## METAL STRAPS - TENSIONED

(Bracing Capacity of 1.5kN/m),  
Table 8.18 (b) from AS1684.2:2021 / AS1684.3:2021,  
as well as AS1684.4-2010 Table 8.3(b)



See Detail A for fixing schedule

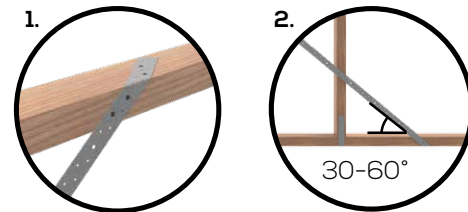
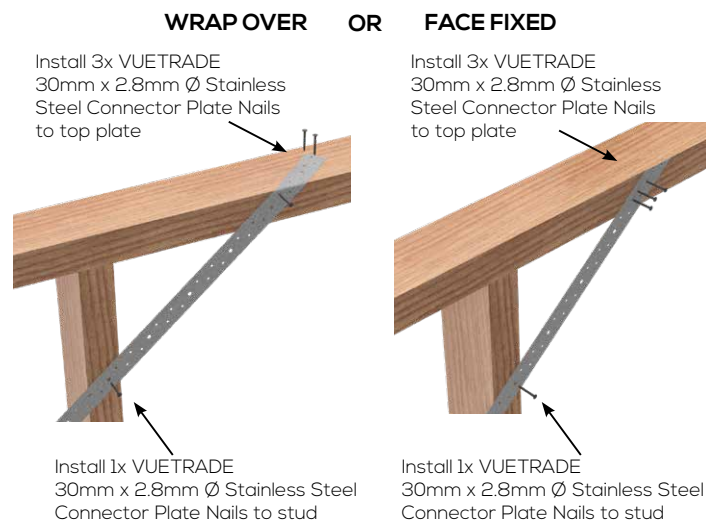


Table 1: Bracing capacity (kN) for different bracing length (m)

Wall height (m)	Bracing Length (m)									
	1.8	1.9	2.0	2.1	2.2	2.3	2.4	2.5	2.6	2.7
2.7	2.7	2.9	3.0	3.2	3.3	3.5	3.6	3.8	3.9	4.1
3.0	2.4	2.6	2.7	2.8	3.0	3.1	3.2	3.4	3.5	3.6

## FIXING DETAILS A



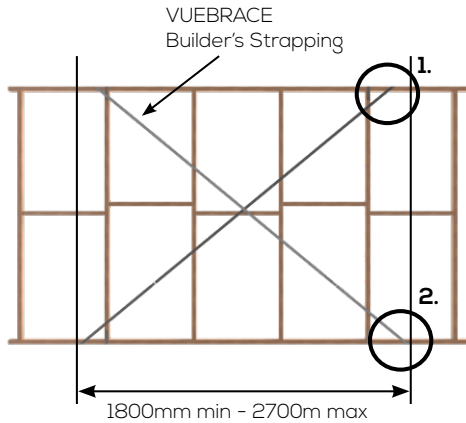


**VUEBRACE STAINLESS STEEL PUNCHED BUILDER'S STRAPPING**

JUL23

**METAL STRAPS – TENSIONED – WITH STUD STRAPS**

(Bracing Capacity of 3.0kN/m),  
Table 8.18(d) from AS1684.2:2021 / AS1684.3:2021,  
as well as AS1684.4-2010 Table 8.3(d)



See Detail B for  
fixing schedule

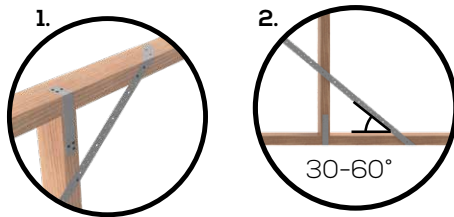
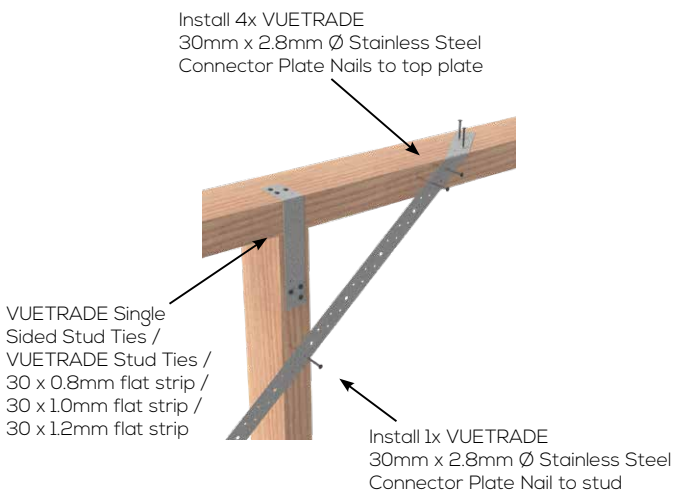


Table 2: Bracing capacity (kN) for different bracing length (m)

Wall height (m)	Bracing Length (m)									
	1.8	1.9	2.0	2.1	2.2	2.3	2.4	2.5	2.6	2.7
2.7	5.4	5.7	6.0	6.3	6.6	6.9	7.2	7.5	7.8	8.1
3.0	4.9	5.1	5.4	5.7	5.9	6.2	6.5	6.8	7.0	7.3

**FIXING DETAILS B**

**WRAP OVER**



**BRACING CAPACITY AND HEIGHT MODIFICATION**

Values shown in Table 1 & Table 2 above are valid for the wall heights stated. For wall heights greater than 2.7m, the capacity should be multiplied by values in Table 3.

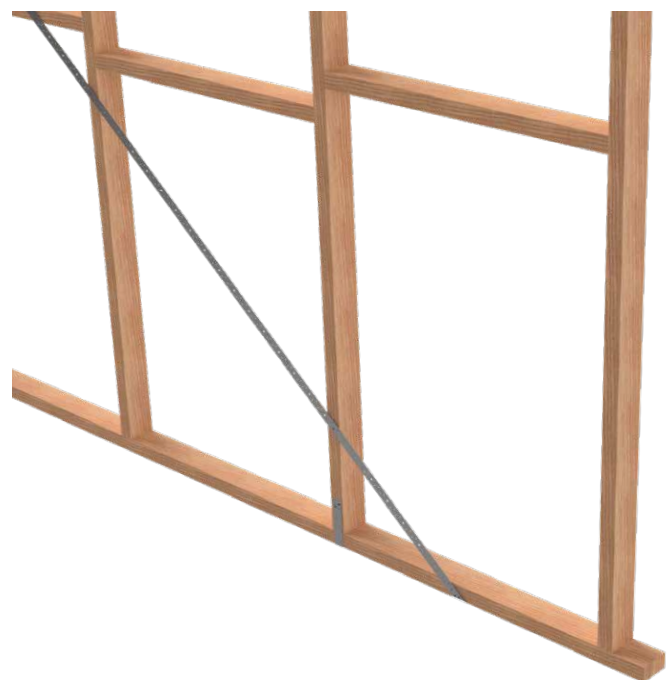
Table 3: Bracing wall capacity / height multiplier

Bracing Wall Capacity / Height Multiplier	
Wall Height, mm	Multiplier
3 000	0.90
3 300	0.80
3 600	0.75
3 900	0.70
4 200	0.64

**DESIGN CAPACITY DATA**

Table 4: Tensile capacities of Stainless Steel Builder's Strapping

Brace Dimensions (Width x Thickness)	Tension Capacities (kN)
30mm x 0.8mm	9.4
30mm x 1.0mm	11.7





## VUEBRACE STAINLESS STEEL PUNCHED BUILDER'S STRAPPING

JUL23

### VUEBRACE NET SECTIONAL AREA COMPLIANCE

VUEBRACE Builder's Strapping complies with the minimum net sectional area of strap required in AS1684.2:2021 & AS1684.3:2021 as follow:

- VUEBRACE 30mm x 0.8mm complies with min net sectional area of 15mm<sup>2</sup> for use on structural wall bracing following specification provided in AS1684.2:2021 & AS1684.3:2021 Table 8.18(b).
- VUEBRACE 30mm x 1.0mm complies with min net sectional area of 21mm<sup>2</sup> for use on structural wall bracing following specification provided in AS1684.2:2021 & AS1684.3:2021 Table 8.18 (d).

