

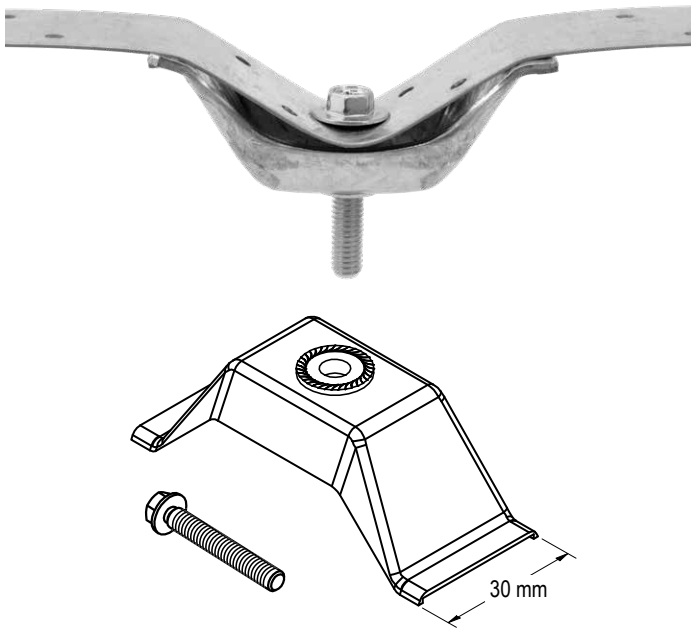


VUESMART GALVANISED STRAP BRACE TENSIONERS

JUL23

Compliant with the requirements of AS1684.

G GALVANISED



APPLICATION

VUESMART Brace Tensioners are used to provide tension to VUEBRACE Builder's Strappings, allowing wall bracing to be fully taut for effective bracing.

SIZES

Product Code	Unit	Box Qty
VUESMART	Pack of 6 + BONUS Hex Drive	25
VUESMARTBULK	Bulk Box: Pack of 10	15



INSTALLATION GUIDE

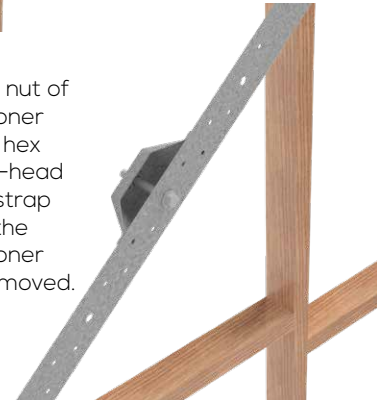
1.



Place VUESMART Brace Tensioner on the strap and insert the screw through one of the centre holes of the strapping.

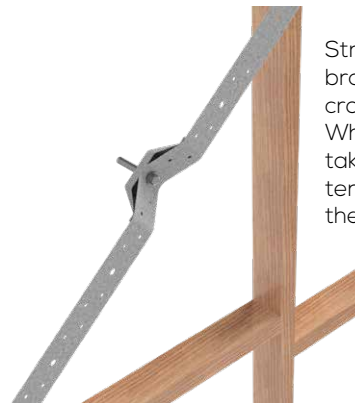
2.

Insert the screw into the nut of VUESMART Brace Tensioner and tighten using a 5/16 hex driver or standard cross-head screw driver, to pull the strap into the cupped side of the VUESMART Brace Tensioner until the strap slack is removed.



3.

Strap bracing is a tension brace and is installed as a cross bracing. When tensioning the straps, take care to ensure even tension to avoid distorting the frame.



4.

Further information on bracing and installation of VUEBRACE Builder's Strapping and VUESMART Brace Tensioners can be found in the technical data sheet of VUEBRACE Builder's Strapping.

