



STAINLESS STEEL R3 BRICK VENEER TIES

AUG23

Compliant with the requirements of AS2699 and AS3700.

304 STAINLESS STEEL

APPLICATION

VUETRADE Brick Veneer Ties function as a means of joining the cavity of wall frames and brickwork together and are often installed during construction. Brick Ties are important in the stability of a building.

They are suitable for use with TIMBER FRAMES only.

LIGHT DUTY WITH NAILS

R3



SPECIFICATION

VUETRADE Light Duty Brick Veneer Ties are rated as light duty conforming to AS2699.1:2020 and AS3700:2018.

Cavity Width 50mm

Usage 1km to 10km from breaking surf,
or 100m to 1km from sheltered coastal

Fixing Use only the supplied VUETRADE
30mm x 3.2mm Ø Stainless Steel Fixing Nail

MEDIUM DUTY WITH SCREWS

R3



SPECIFICATION

VUETRADE Medium Duty Brick Veneer Ties are rated as medium duty conforming to AS2699.1:2020 and AS3700:2018.

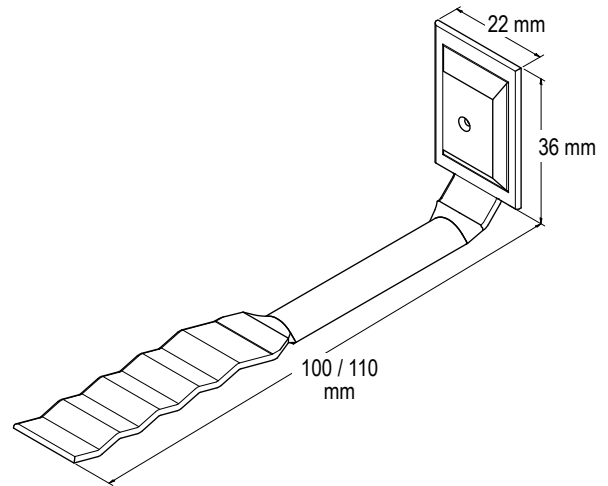
Cavity Width 50mm

Usage 1km to 10km from breaking surf,
or 100m to 1km from sheltered coastal

Fixing Use only the supplied VUETRADE
30mm x 4.5mm Ø Stainless Steel Fixing Screw

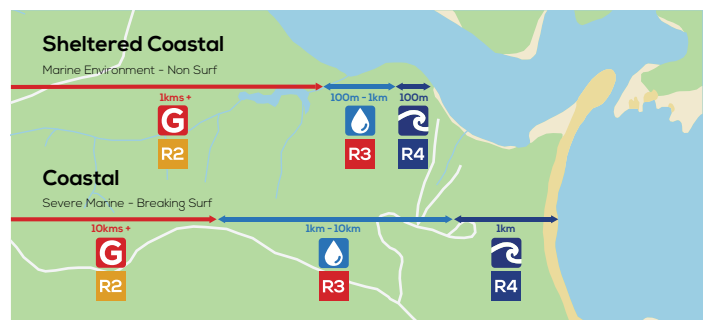
DETAILS

Product Code	Material	Durability Classification	Box Qty
VBTLDR3	SS 304	R3	150
VBTMDR3	SS 304	R3	150



R3 DURABILITY CLASSIFICATION

R3 1km to 10km from breaking surf,
or 100m to 1km from sheltered coastal



The suitability of brick ties in different environmental conditions can be determined by reading off the specification area chart based on the type of environment and the distance where the brick ties will be used.

It is important to use the recommended brick tie classification to reduce the risk of brick tie corrosion that may affect the overall structure integrity.

Note: VUETRADE does not cover corrosion protection on heavy industrial areas as additional or highly specific requirements may be required.





STAINLESS STEEL R3 BRICK VENEER TIES

AUG23

National Construction Code 2022 – ABCB Housing Provisions

Table 5.6.5d from ABCB Housing Provisions of the NCC 2022 provides corrosion protection requirements for masonry wall ties in different exposure conditions along with recommended corrosion protections.

Table 5.6.5d Corrosion protection for wall ties

Exposure condition	Tie specification (minimum corrosion protection)
Areas less than 1km from breaking surf; or less than 100 m from salt water not subject to breaking surf; or within heavy industrial areas.	Grade 316L stainless steel; or engineered polymer complying with the requirements of AS 2699.1.
Areas 1km or more but less than 10km from breaking surf; or 100m or more but less than 1km from salt water not subject to breaking surf.	Sheet steel and bar ties galvanised after manufacture - 470 g/m ² on each side; or galvanised wire ties - 470 g/m ² coating mass; or Grade 304L stainless steel.
All other areas	Galvanised sheet steel - 300 g/m ² coating on each side; or sheet steel ties galvanised after manufacture - 300 g/m ² on each side.

© Commonwealth of Australia and the States and Territories 2022, published by the Australian Building Codes Board.

SELECTION OF SUITABLE CORROSION PROTECTION ON VUETRADE PRODUCTS

Majority of VUETRADE products are adequately corrosion protected to meet all corrosion protection standards mentioned in previous section and are categorized into three main categories.



STANDARD / GALVANISED

- Internal / enclosed
- Exterior/exposed inland areas except if in contact with fresh water or non-saline wetting & drying



MARINE ENVIRONMENT – SS304

- Marine Environment – 100m up to 1km from a non-surf coast and from 1km up to 10km from a surf coast
- External applications in contact with freshwater or subject to non-saline wetting and drying
- Minimum steel grade required Stainless Steel 304



SEVERE MARINE – SS316

- Severe Marine – 100m from a non-surf coast and up to 1km from a surf coast
- Minimum Steel Grade Stainless Steel 316
- No 'Tea Staining', a superficial 'rust' look that occurs on lower grades of Stainless Steel including 304.

Using the chart, the level of corrosion protection needed can be easily identified. It is highly recommended to adhere and comply to the minimum requirement of corrosion protection as failure to do so may lead to severe corrosion that will critically affect the structural integrity of a building.

These classifications are based on AS2699.1:2020.

