



GALVANISED CENTRE BLADE POST SUPPORTS

JUN23

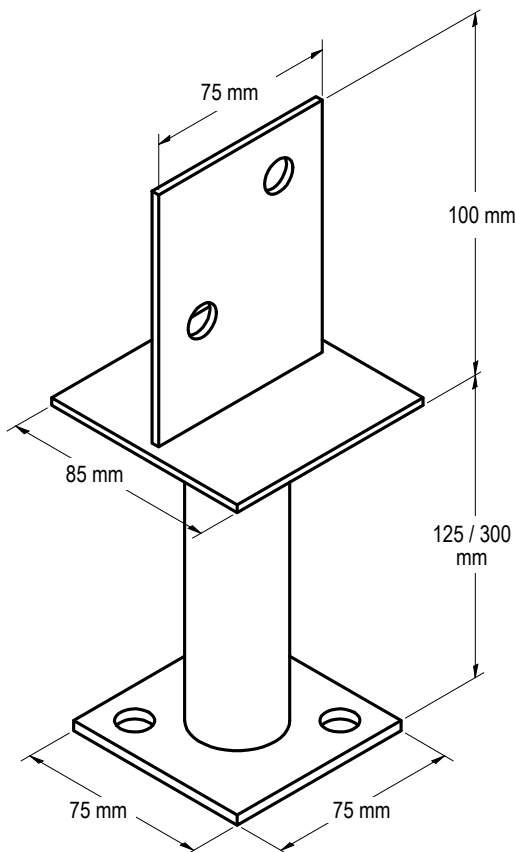
Compliant with the requirements of AS1684 and AS1720.

G GALVANISED

BOLTED TO CONCRETE



CAST INTO CONCRETE



APPLICATION

Centre Blade Post Supports are brackets used for fixing timber posts to concrete or timber bases, with the 'hidden' blade providing a neat finish.

SPECIFICATION

VUETRADE Galvanised Centre Blade Post Supports are manufactured in G300 steel and corrosion protected with Hot Dipped Galvanised.

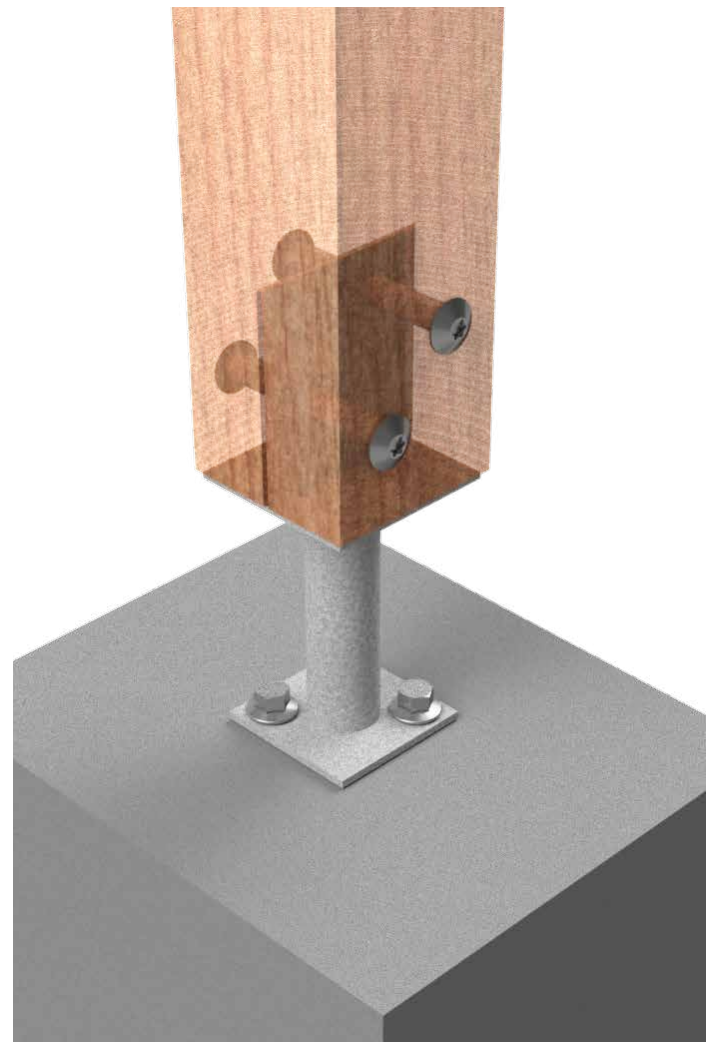
FASTENERS

Saddle: 2x Zinc-Nickel Coated VUEBOLT or appropriate M10 bolts with hex nuts

Base: 2x M10 concrete bolts or equivalent

SIZES

Product Code	Height (mm)	Box Qty
VBLPS125	125	10
VBLPS300	300	10

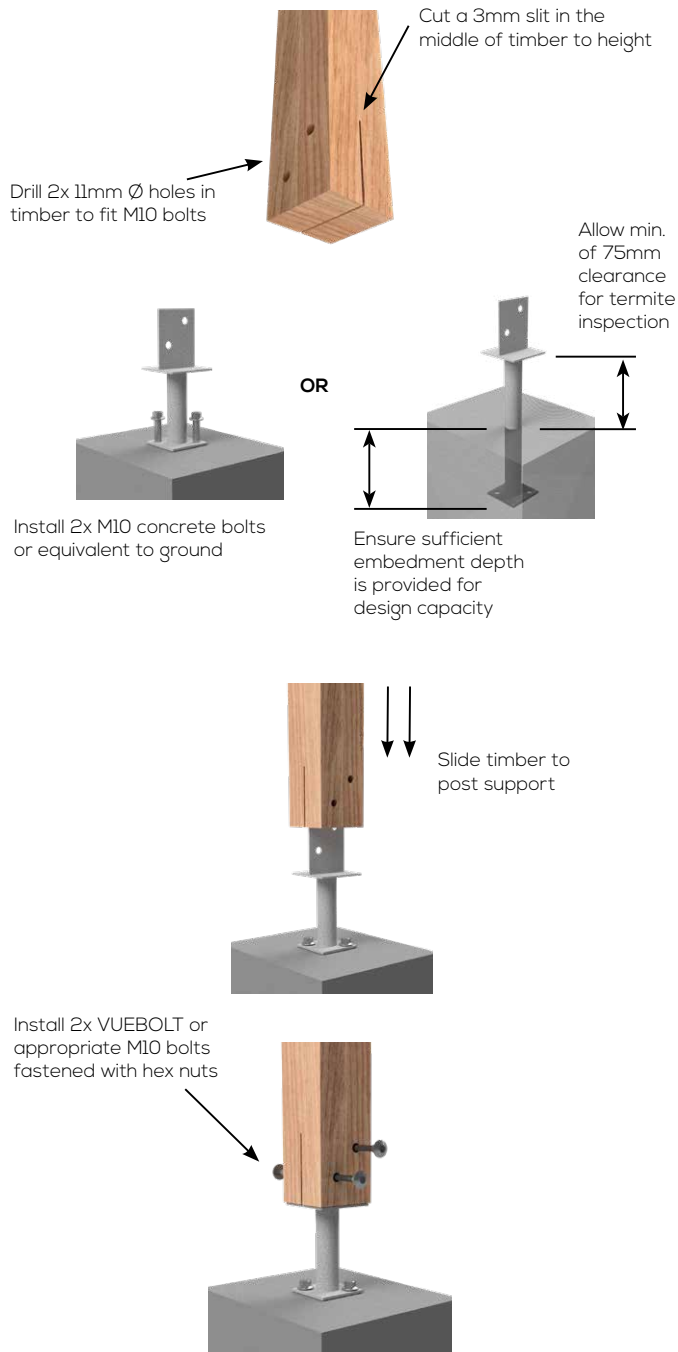




GALVANISED CENTRE BLADE POST SUPPORTS

JUN23

INSTALLATION GUIDE AND BOLT FIXING SCHEDULE



NOTES:

1. Embedment depth of VUETRADE Post Support should be determined and calculated by a Structural Engineer to achieve the reported design load. This usually depends on the type of concrete used, aggregate ratio etc.
2. 75mm clearance must be provided to conform to the requirements set out by AS3660.1:2014 - *Termite management, Part 1: New building work*.

DESIGN CAPACITY DATA

Table 1: Design Capacity of Centre Blade Post Support in different joint groups

Load Case	Design Capacity, Ndj (kN)		
	JD3	JD4	JD5
Uplift capacity	6.1	4.9	4.3

NOTES:

1. Design capacity in Table 1 applies to VUETRADE Post Supports where 2x VUEBOLT or appropriate M10 bolts tightly fastened with hex nuts are installed.
2. Timber posts must have minimum dimensions of 90mm by 90mm section and shall be installed flat to the base of the post support.
3. Design capacities for post supports bolted or cast into concrete assumed that there is sufficient anchorage in the concrete to resist the pull-out force imposed by wind loading.
4. Design capacities in the above table are for wind uplift (vertical force direction) only and are obtained under strict in-house test conditions defined by AS1649-2001 - *Timber - Methods of test for mechanical fasteners and connectors* & uplift capacity requirements outlined in AS1720.1-2010 - *Timber structures, Part 1: Design methods*.
5. VUETRADE Post Supports should only be used to resist wind uplift / dead load as specified in the TDS and should not be assumed to provide lateral stability. Sufficient bracing should be provided and approved by a structural engineer for lateral stability.

