

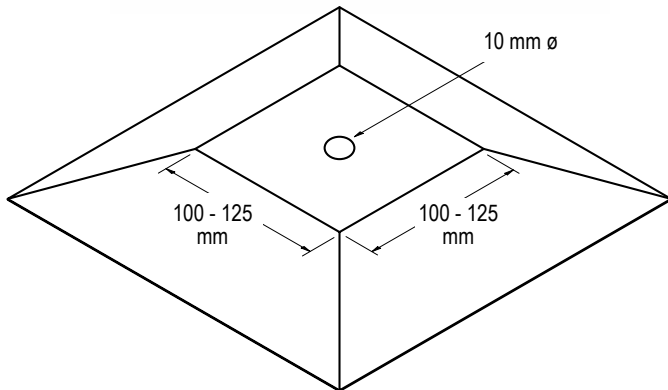


GALVANISED ANT CAPS

OCT23

Compliant with the requirements of AS3660.1.

G GALVANISED



APPLICATION

VUETRADE Galvanised Ant Caps provide a barrier between supporting timber, metal or masonry stumps / bases and floor timbers; and are specifically for use in areas where termites invade and degrade timber construction.

SPECIFICATION

VUETRADE Galvanised Ant Caps are manufactured using G300 Z275 material with a thickness of 0.5mm.

SIZES

Product Code	Size (mm)	Flange Size	Details
VAC10025	100 x 100	25mm	With Hole
VAC10025NH	100 x 100	25mm	No Hole
VAC10050	100 x 100	50mm	With Hole
VAC10050NH	100 x 100	50mm	No Hole
VAC12525	125 x 125	25mm	With Hole
VAC12525NH	125 x 125	25mm	No Hole
VAC12550	125 x 125	50mm	With Hole
VAC12550NH	125 x 125	50mm	No Hole
VAC23050NH	230 x 230	50mm	No Hole
VAC23011550NH	230 x 115	50mm	No Hole

AS3660.1:2014 TERMITE MANAGEMENT PART 1: NEW BUILDING WORK

Material Specifications on Galvanised Ant Caps

- Minimum thickness of 0.5mm.
- Steel shall be galvanised in accordance to AS/NZS4680:2006 with zinc and coating class of at least Z275.

Design Specifications

- The ant cap shall have a plane surface of size and shape to fully cover the top of the post.
- The ant cap shall project on all sides so that no edge shall be less than 40mm from the vertical face of the wall when the edges are turned down at an angle from the horizontal face. (i.e. flange size should be more than 40mm)
- Ensure that correct ant cap materials are used in appropriate corrosion exposure zones to minimise corrosion attack. For high corrosion exposure zones, Stainless Steel ant caps are recommended.
- Ensure that Ant Cap does not come in contact with other components of building work where electrolytic corrosion may occur and induce accelerated corrosion, i.e. Galvanised Ant Cap should not come in contact with a Stainless Steel frame.

