

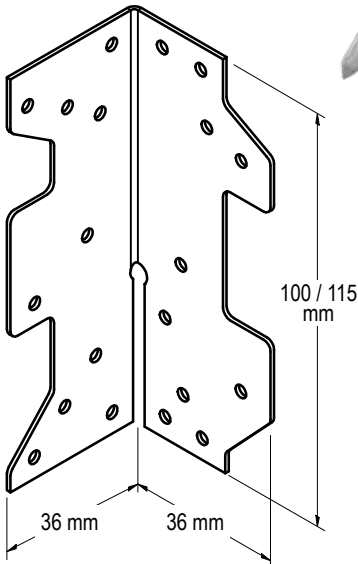


# GALVANISED MULTI GRIPS

JAN24

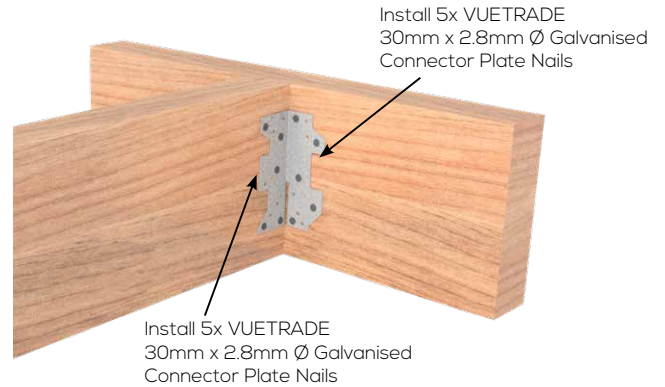
Compliant with the requirements of AS1684 and AS1720. Designed and tested to AS1649.

**G GALVANISED**

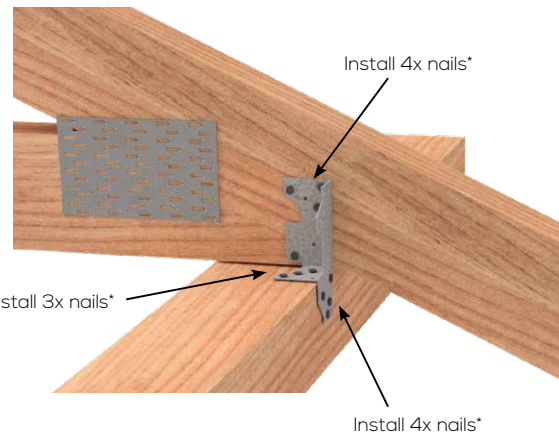
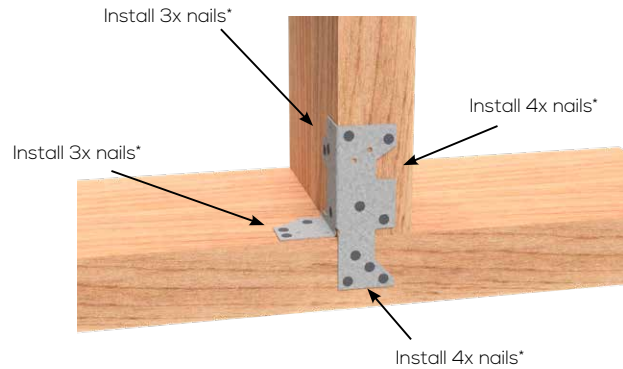


## INSTALLATION GUIDE

### LOADING TYPE A (used as a pair)



### LOADING TYPE B



\* Use only VUETRADE 30mm x 2.8mm Ø Galvanised Connector Plate Nails.

### APPLICATION

VUETRADE Galvanised Multi Grips are general purpose timber framing brackets used for joining timber members at right angles. These brackets can be used on pergolas, timber rails, fences and general joinery fit out.

### SPECIFICATION

VUETRADE Galvanised Multi Grips are manufactured from G300 Z275 galvanised steel in 1.0mm thickness.

### FASTENERS

**Nails:** Use only VUETRADE 30mm x 2.8mm Ø Galvanised Connector Plate Nails

### SIZES

Product Code	Length (mm)	Box Qty
VTMG100	100	200
VTMG115	115	100





**GALVANISED MULTI GRIPS**

JAN24

**DESIGN CAPACITY DATA**

Load ratings stated below are for when installed as a pair.

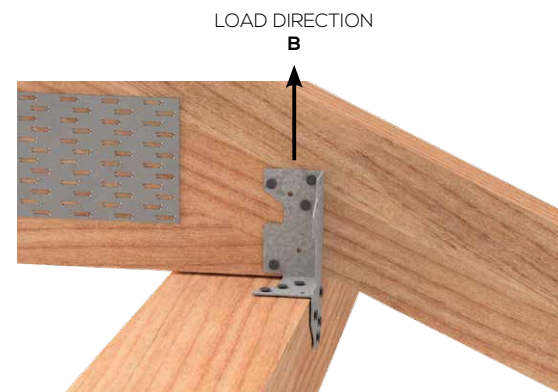
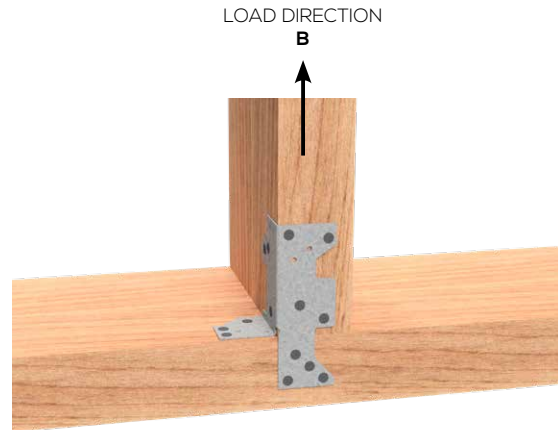
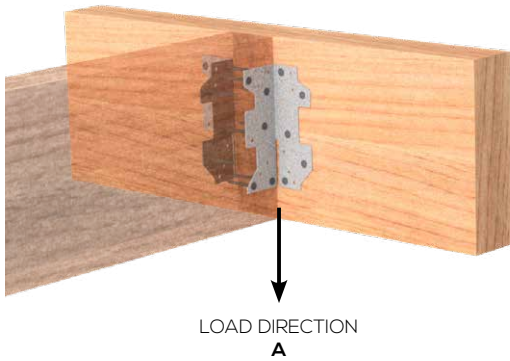


Table 1: Multi Grip Design Capacity Table – Load Direction A  
[used in pairs]

Load Direction	Design Capacity for Timber Joint Groups, kN					
	J3	J4	J5	JD3	JD4	JD5
<b>Dead Load, 1.35G</b>	3.6	2.6	1.9	5.0	3.6	3.0
<b>Dead &amp; Roof Live Loads, 1.2G+1.5Qr</b>	4.4	3.1	2.3	6.2	4.4	3.6
<b>Wind Uplift</b>	7.3	5.1	3.9	10.2	7.3	6.0

Table 2: Multi Grip Design Capacity Table – Load Direction B

Load Direction	Design Capacity for Timber Joint Groups, kN					
	J3	J4	J5	JD3	JD4	JD5
<b>Wind Uplift</b>	3.1	2.2	1.7	4.3	3.1	2.5

NOTES:

1. Design capacities in Table 1 and Table 2 apply to all sizes of VUETRADE Galvanised Multi Grips, minimum recommended nail fixings are detailed in the fixing guide section.
2. To achieve greater design capacity, more nails may be installed into the pre-bored holes. NEVER punch nails through sheet metal as it may result in weaker, non-compliant connections.
3. Capacity for load direction B can be doubled up with double the amount of Multi Grip used.
4. Design capacities in Table 1 and Table 2 are based on Category 1 joints where it is applicable for failures that would be unlikely to affect an area of greater than 25m<sup>2</sup>. For Category 2 and Category 3 joints, design capacities from the table are multiplied by 0.941 and 0.882 respectively.

