

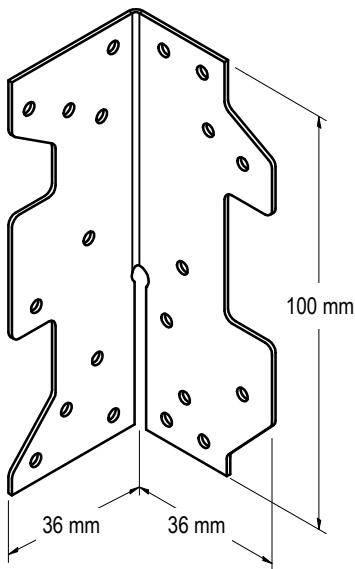


# STAINLESS STEEL MULTI GRIPS

JAN24

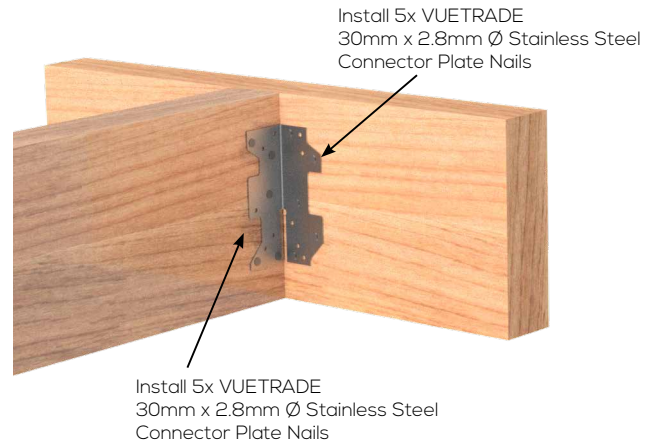
Compliant with the requirements of AS1684 and AS1720. Designed and tested to AS1649.

**316 STAINLESS STEEL**

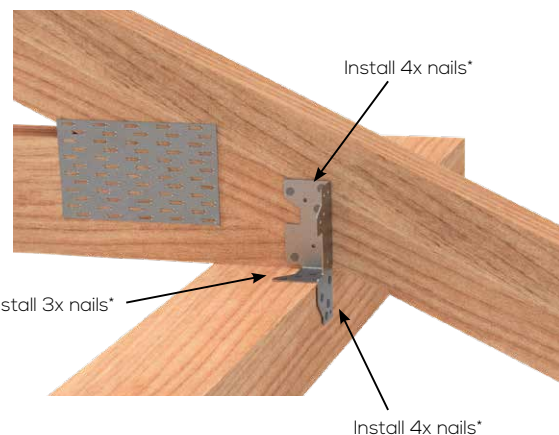
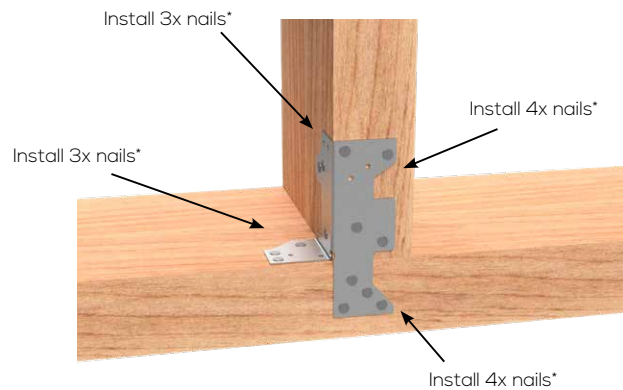


## INSTALLATION GUIDE

### LOADING TYPE A (used as a pair)



### LOADING TYPE B



\* Use only VUETRADE 30mm x 2.8mm Ø Stainless Steel Connector Plate Nails.

### APPLICATION

VUETRADE Stainless Steel Multi Grips are general purpose timber framing brackets used for joining timber members at right angles. These brackets can be used on pergolas, timber rails, fences and general joinery fit-out.

### SPECIFICATION

VUETRADE Stainless Steel Multi Grips are manufactured from 316 Stainless Steel in 1.0mm thickness.

### FASTENERS

**Nails:** Use only VUETRADE 30mm x 2.8mm Ø Stainless Steel Connector Plate Nails

### SIZES

| Product Code | Length (mm) | Box Qty |
|--------------|-------------|---------|
| VTMG100SS    | 100         | 200     |





**STAINLESS STEEL MULTI GRIPS**

JAN24

**DESIGN CAPACITY DATA**

Load ratings stated below are for when installed as a pair.

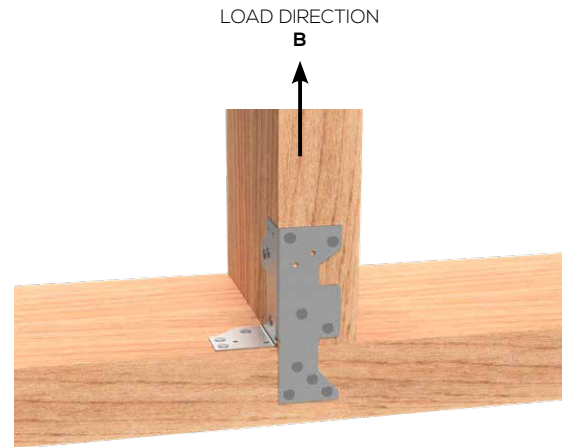
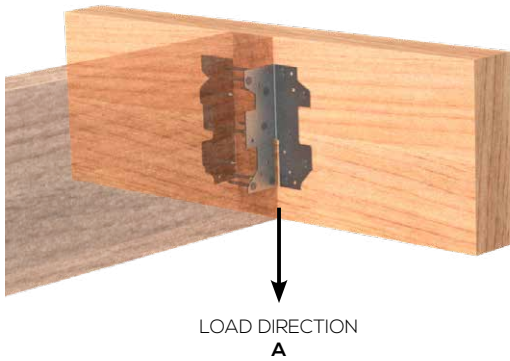


Table 1: Stainless Steel Multi Grip Design Capacity Table  
Load Direction A [used in pairs]

| Load Directions                    | Design Capacity for Timber Joint Groups, kN |     |     |      |     |     |
|------------------------------------|---|-----|-----|------|-----|-----|
|                                    | J3  | J4  | J5  | JD3  | JD4 | JD5 |
| Dead Load, 1.35G                   | 3.6   | 2.6 | 1.9 | 5.0  | 3.6 | 3.0 |
| Dead & Roof Live Loads, 1.2G+1.5Qr | 4.4   | 3.1 | 2.3 | 6.2  | 4.4 | 3.6 |
| Wind Uplift                        | 7.3   | 5.1 | 3.9 | 10.2 | 7.3 | 6.0 |

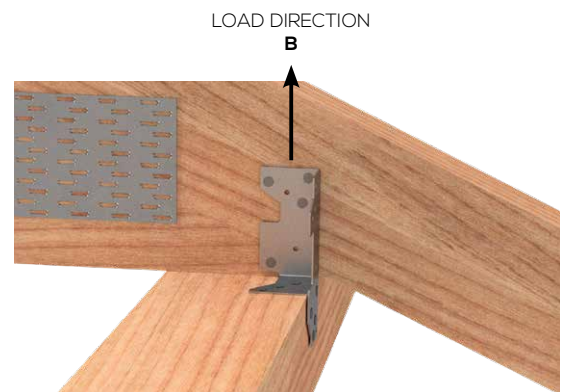


Table 2: Stainless Steel Multi Grip Design Capacity Table  
Load Direction B

| Load Directions | Design Capacity for Timber Joint Groups, kN |     |     |     |     |     |
|-----------------|---|-----|-----|-----|-----|-----|
|                 | J3  | J4  | J5  | JD3 | JD4 | JD5 |
| Wind Uplift     | 3.1   | 2.2 | 1.7 | 4.3 | 3.1 | 2.5 |

NOTES:

1. Design capacities in Table 1 and Table 2 apply to all sizes of VUETRADE Stainless Steel Multi Grips, minimum recommended nail fixings are detailed in the fixing guide section.
2. To achieve greater design capacity, more nails may be installed into the pre-bored holes. NEVER punch nails through sheet metal as it may result in weaker, non-compliant connections.
3. Capacity for load direction B can be doubled up with double the amount of Multi Grips used.
4. Design capacities in Table 1 and Table 2 are based on Category 1 joints where it is applicable for failures that would be unlikely to affect an area of greater than 25m<sup>2</sup>. For Category 2 and Category 3 joints, design capacities from the table are multiplied by 0.941 and 0.882 respectively.

