

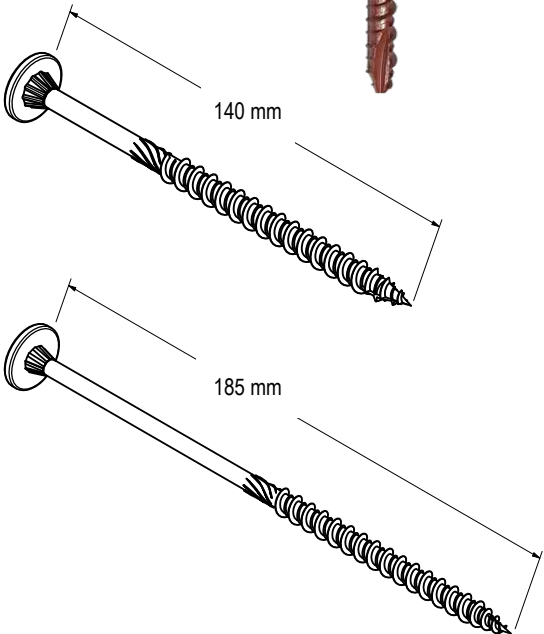


GALVANISED VUEFIX STUD-SMART SCREWS

JAN24

Compliant with the requirements of AS 1684. Tested in accordance to AS1649.

G GALVANISED



APPLICATION

VUEFIX Stud-Smart Screws are a quick and easy method to connect wall top plates to studs. Available in two sizes for use with single or double top plates.

VUEFIX Stud-Smart Screws can also be used as an alternative connection to many top plates to stud connections while also providing higher connection capacity than traditional connections like stud ties. Stud screws may also be used as an alternative top plate-to-stud tie down for structural wall bracing.

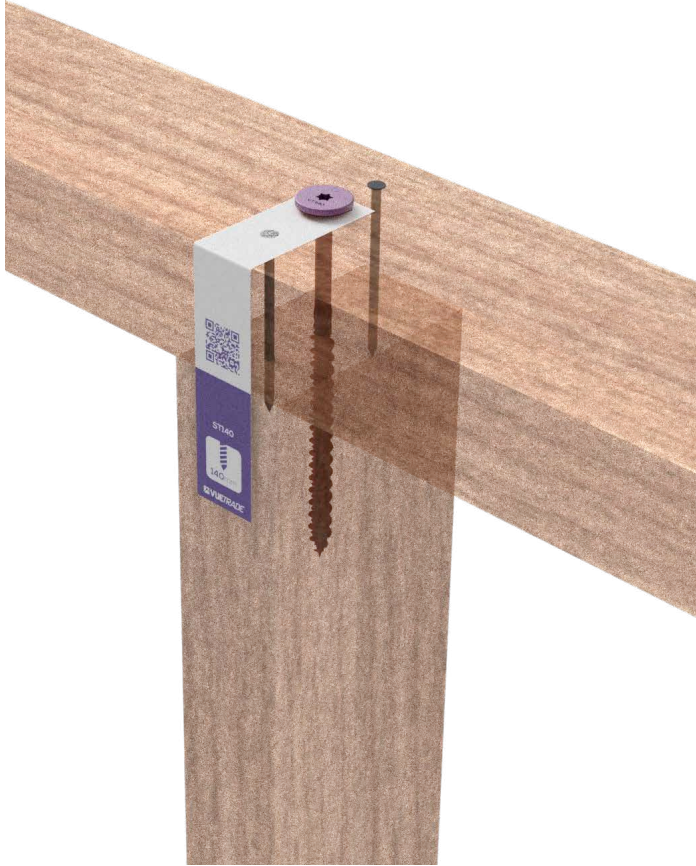
SPECIFICATION

VUEFIX Galvanised Stud-Smart Screws are coated in Bronze Nano KTCO Coating for additional corrosion protection. They have a T40 head for convenient installation.

For easier building inspection, two weatherproof tags are also available: VTAG140 & VTAG185.

SIZES

Product Code	Length	Head Colour	Box Qty
ST140	140 mm	Purple	50 / 250
ST185	185 mm	Orange	50 / 250

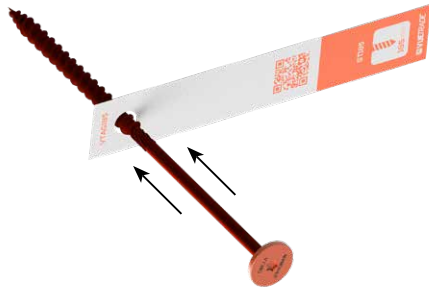




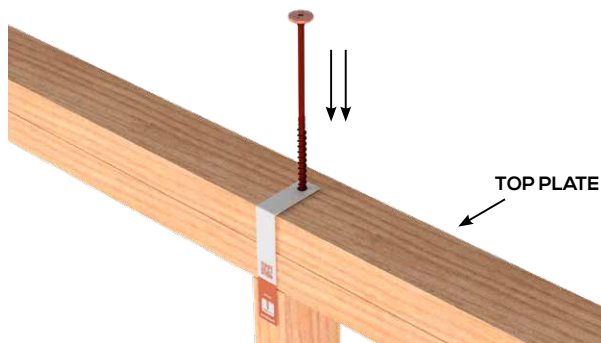
GALVANISED VUEFIX STUD-SMART SCREWS

JAN24

INSTALLATION GUIDE



1. Place the designated weatherproof VUEFIX Stud-Smart label through screw for easy identification. Ensure that tags VTAG140 (orange tag) to only be used with the 140mm stud screw, and VTAG185 (purple tag) to only be used with the 185mm stud screws.



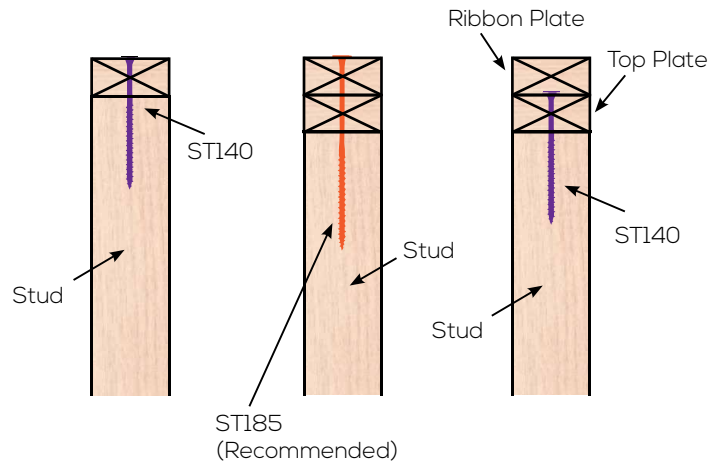
2. Install screw straight and vertically using a T40 drive bit through the centreline of top plate into stud. Continue until the head is flush with the top plate, and do not overdrive.

RECOMMENDED TOP PLATE-TO-STUD CONNECTIONS

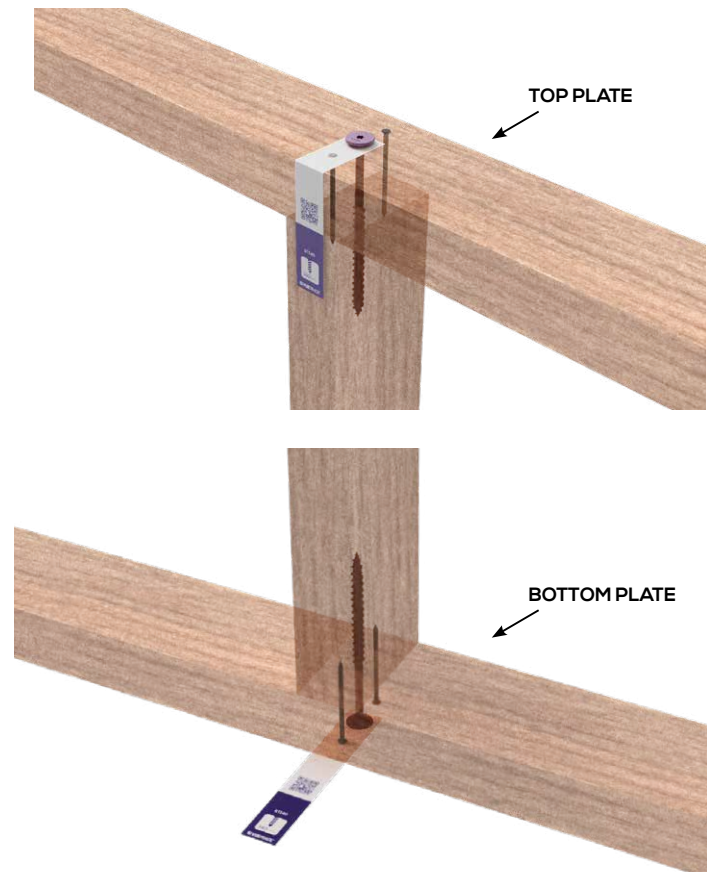
Single Top Plate
35mm or 45mm

Double Top Plate
2x 35mm or 2x 45mm

Ribbon Plate



Note: Refer to AS1684.2 and AS1684.3 clause 2.5 and clause 9.2.8 for nail-lamination of multiple wall plates. (Double top plates /Ribbon plates)





GALVANISED VUEFIX STUD-SMART SCREWS

JAN24

DESIGN CAPACITY DATA

Table 1: ST140 used on a Single Top Plate

Stud Screw	Design Capacity for Timber Joint Groups, kN	
	1x 35mm	1x 45mm
ST140	8.3	8.1

Table 2: ST140 or ST185 used on a Double Top Plate

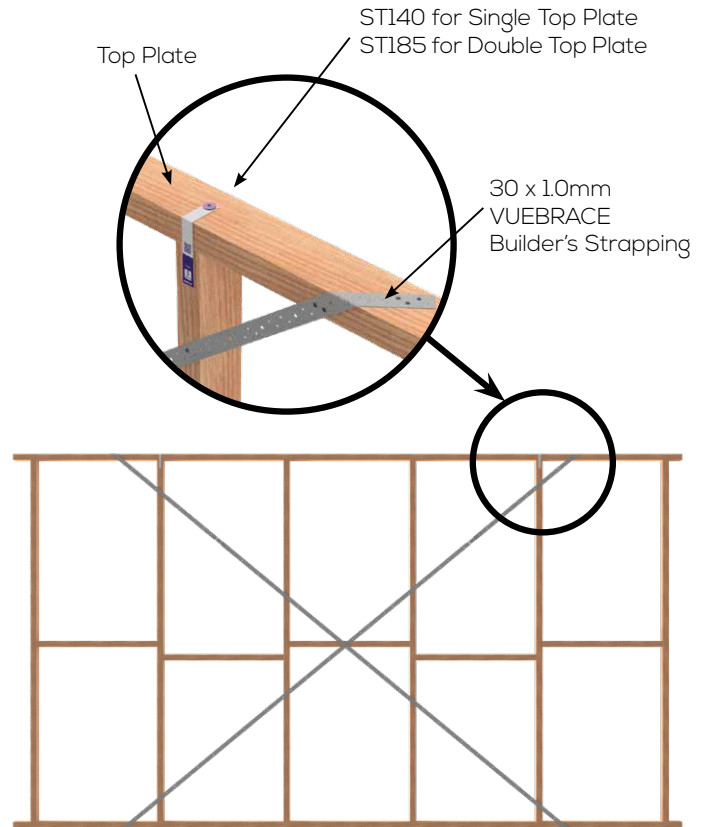
Stud Screw	Design Capacity for Timber Joint Groups, kN	
	2x 35mm	2x 45mm
ST140	4.8	3.6
ST185	8.3	8.1

NOTES:

- Design capacities in Tables 1 & 2 are obtained under laboratory test conditions using MGPI0, using Timber Joint Group JD4.
- VUEFIX Stud-Smart Screws shall not be used for truss tie-down.

VUEFIX STUD SCREW AS AN ALTERNATIVE TO STUD TIES IN STRUCTURAL WALL BRACING

Requirements from AS1684 on Table 8.18(d) where stud ties are required as part of the wall bracing system to achieve bracing capacity of 3.0kN/m, may use VUEFIX Stud-Smart Screws as an alternative solution to stud ties.



AS1684 Table 8.18(d) - Wall bracing with metal straps with stud tie.

NOTES:

- VUEFIX Stud-Smart Screws are a suitable alternative to stud ties for AS1684 Table 8.18(c) as required for the wall bracing system to achieve bracing capacity of 1.5kN/m.

