

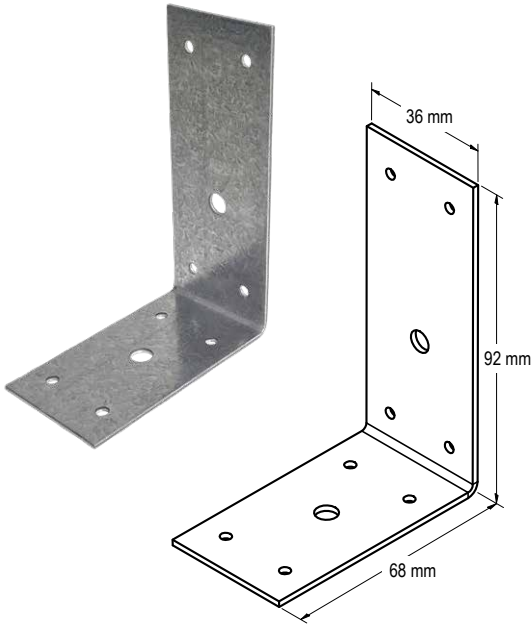


GALVANISED PERGOLA ANGLES

FEB24

Compliant with the requirements of AS1684 and AS1720.

G GALVANISED



APPLICATION

VUETRADE Pergola Angles are galvanised, multi-purpose building brackets ideal for connecting pergola rafters to beams.

SPECIFICATION

VUETRADE Galvanised Pergola Angles are manufactured using G300 Z275 galvanised steel in 1.6mm thickness.

FASTENERS

Nails: 8x VUETRADE 30mm x 2.8mm Ø Galvanised Connector Plate Nails, **AND:**

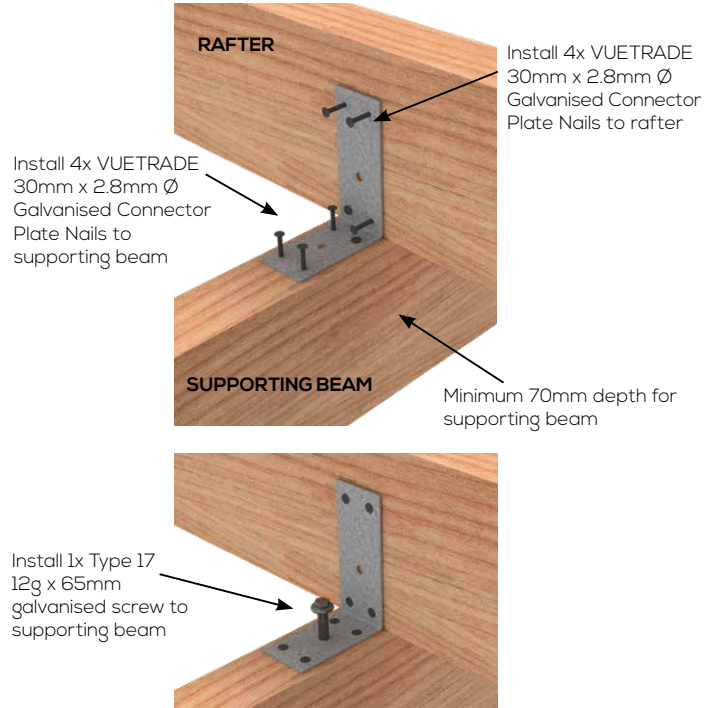
Screw: 1x appropriate Type 17 12g x 65mm galvanised screw

SIZES

Product Code	Size (mm)	Box Qty
VTPA36	92 x 68 x 36 x 1.6	200



INSTALLATION GUIDE



NOTES:

1. Ensure that support beam to have a minimum section size of 70mm.
2. Use only VUETRADE 30mm x 2.8mm Ø Galvanised Connector Plate Nails and galvanised screws, usage of other steel materials nails and bolts with galvanised Pergola Angles may lead to bimetallic corrosion.
3. Install nail through pre-bored nail/screw holes provided, do not punch through sheet material as it may result in a weaker, non-compliant product.

DESIGN CAPACITY DATA

Table 1: Design capacity data of Pergola Angle on different joint group

Load Case	Design Capacity for Timber Joint Groups, kN					
	J3	J4	J5	JD3	JD4	JD5
Wind Uplift	3.1	2.2	1.7	4.3	3.1	2.5

NOTE:

1. Design capacities in Table 1 are based on installation of Pergola Angles with 4x VUETRADE 30mm x 2.8mm Ø Galvanised Connector Plate Nails on both flanges (total of 8x nails) and 1x Type 17 12g x 65mm screw.
2. Modification factors k_1 for different load cases are adopted from AS1720.1-2010.
3. Design capacities in the Table 1 are based on Category 1 joints where it is applicable for failures that would be unlikely to affect an area of greater than 25m². For Category 2 and Category 3 joints, design capacities from the table are multiplied by 0.941 and 0.882 respectively.

