

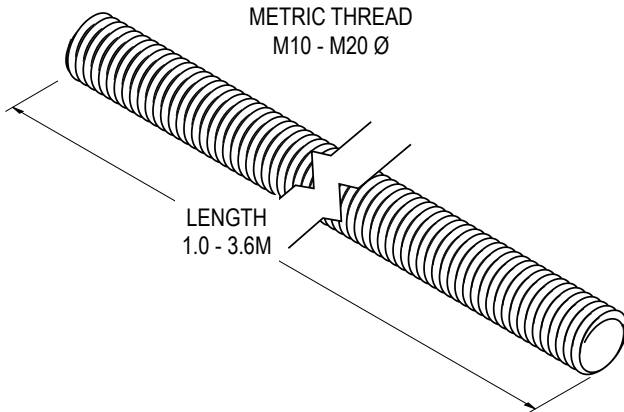


GALVANISED THREADED ROD

MAR24

✓ Conforms to ISO898-1 Steel Grade 4.8 and DIN976 for threaded rod

G GALVANISED



APPLICATION

VUETRADE Threaded Rod is a multi-purpose threaded connector used for various tie-down, bracing, support and fastening applications.

SPECIFICATION

VUETRADE Threaded Rod can be used in conjunction with supporting VUETRADE galvanized timber connectors to provide strong tie-down solutions for timber framing in high wind areas. VUETRADE Threaded Rod is manufactured from Steel Grade 4.8 conforming to the mechanical and chemical requirement of ISO898-1 and is available in metric coarse thread from M10 to M20 with lengths of 1.0m to 3.6m.



SIZES

Product Code	Metric thread	Length	Bundle Qty
VTRGALM10100	M10	1.0 m	10
VTRGALM10300	M10	3.0 m	10
VTRGALM12100	M12	1.0 m	10
VTRGALM12270	M12	2.7 m	10
VTRGALM12300	M12	3.0 m	10
VTRGALM12360	M12	3.6 m	5
VTRGALM16100	M16	1.0 m	10
VTRGALM16300	M16	3.0 m	5
VTRGALM16360	M16	3.6 m	5
VTRGALM20100	M20	1.0 m	5
VTRGALM20300	M20	3.0 m	2

INSTALLATION METHODS / FIXING DETAILS

Tie-down and bracing solutions including the use of threaded rod should be provided and approved by a structural engineer. Usage of threaded rod with other VUETRADE timber connectors must refer to individual product's Technical Data Sheet for specific fixing details.

DESIGN CAPACITY DATA

Table 1: Threaded Rod Design Capacity

Size	Pitch (mm)	Stress Area (mm ²)	Tensile Strength (kN)	Proof Loads (kN)
M10	150	58.0	24.4	18.0
M12	175	84.3	35.4	26.1
M16	2.00	157.0	65.9	48.7
M20	2.50	245.0	103.0	76.0

NOTES:

1. Metric coarse threads of threaded rod conform to ISO965-2 for 6g threads.
2. Threaded rod conforms to the mechanical and physical properties of ISO898-1 and DIN976 for a property class of 4.8.
3. Hot Dip Galvanised of threaded rod conforms to ISO1461.
4. Nuts and couplers used with threaded rod shall be tightened until snug tight with a wrench.

