

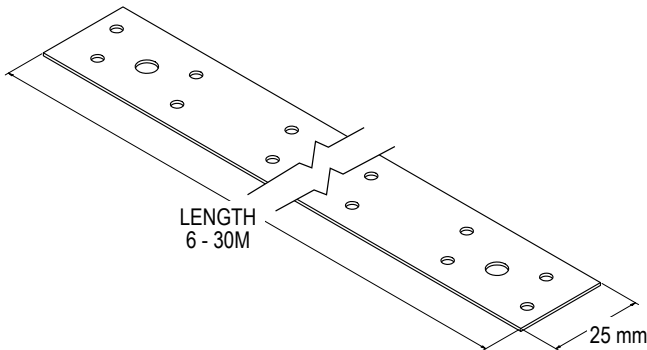


# VUEBRACE GALVANISED LIGHT DUTY STRAPPING

APR24

Suitable for light duty non-structural applications.

**G GALVANISED**



## APPLICATION

VUEBRACE Light Duty Strapping is used for bracing outdoor fences where no heavy loads or wind uplifts are present.

## SPECIFICATION

VUEBRACE Light Duty Strapping is manufactured using G300 Z275 galvanised steel.

## FASTENERS

**Nails:** Use only VUETRADE 30mm x 2.8mm Ø Galvanised Connector Plate Nails

## SIZES

Product Code	Size (mm)	Roll length (m)
VB2566	25 x 0.6	6
VB25615	25 x 0.6	15
VB25630	25 x 0.6	30
VB25815	25 x 0.8	15
VB25830	25 x 0.8	30

## DESIGN CAPACITY DATA

Table 1: VUEBRACE Light Duty Strapping design capacity data

Brace Dimensions (Width x Thickness)	Tensile capacities (kN)
25mm x 0.6mm	3.7
25mm x 0.8mm	4.7

Note: Design capacities above are obtained under test conditions.

## IMPORTANT NOTICE:

VUEBRACE Light Duty Strapping shall not be used as structural bracing of wall and roof. AS1684 requires bracing of minimum cross-sectional size of 30mm x 0.8mm which VUEBRACE Light Duty does not qualify.

