

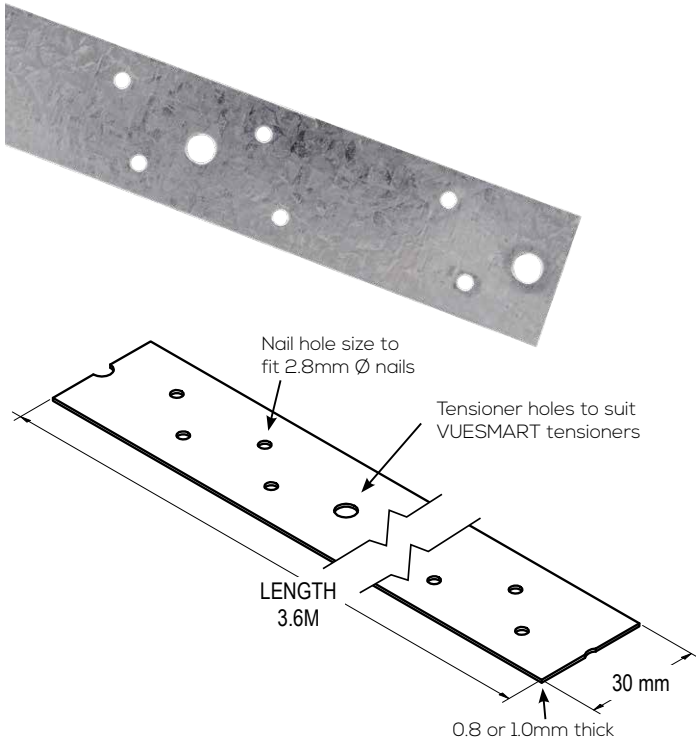


VUEBRACE GALVANISED PUNCHED BUILDER'S STRAPPING STRIPS

NOV24

Compliant with the requirements of AS1684 and NCC2022.

G GALVANISED



APPLICATION

VUEBRACE Punched Builder's Strapping Strips are a galvanized tension bracing used to brace roofs, walls, ceilings and floors, supplied in pre-cut lengths for your convenience.

SPECIFICATION

VUEBRACE Punched Builder's Strapping Strips are manufactured using G300 Z275 galvanized steel. VUEBRACE Punched Builder's Strapping Strips complies with material and corrosion protection requirement stipulated in AS1684.2:2021, AS1684.3:2021 and AS1684.4-2010.

For further information about this products net sectional area compliance see Page 3.

FASTENERS

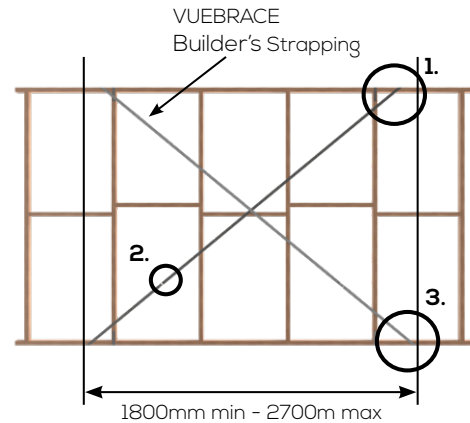
Nails: Use only VUETRADE 30mm x 2.8mm Ø Galvanized Connector Plate Nails

SIZES

Product Code	Size (mm)	Length (m)	Pack Qty
VB30836	30 x 0.8	3.6	500
VB30136	30 x 1.0	3.6	500

METAL STRAPS - TENSIONED

(Bracing Capacity of 15kN/m),
Table 8.18 (b) from AS1684.2:2021 / AS1684.3:2021,
as well as AS1684.4-2010 Table 8.3(b)



See Detail A for fixing schedule

VUESMART Tensioners

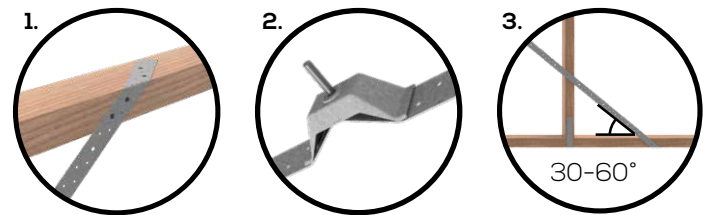
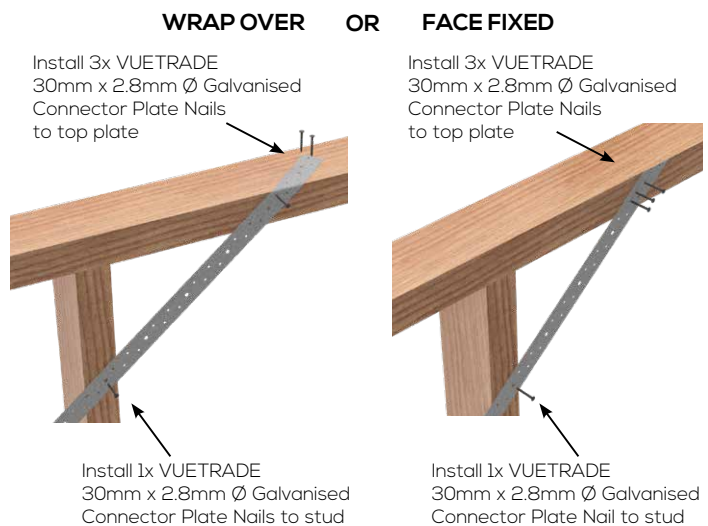


Table 1: Bracing capacity (kN) for different bracing length (m)

Wall height (m)	Bracing Length (m)									
	1.8	1.9	2.0	2.1	2.2	2.3	2.4	2.5	2.6	2.7
2.7	2.7	2.9	3.0	3.2	3.3	3.5	3.6	3.8	3.9	4.1
3.0	2.4	2.6	2.7	2.8	3.0	3.1	3.2	3.4	3.5	3.6

FIXING DETAILS A



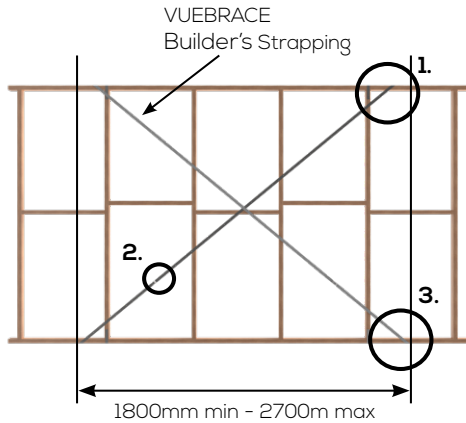


VUEBRACE GALVANISED PUNCHED BUILDER'S STRAPPING STRIPS

NOV24

METAL STRAPS – TENSIONED – WITH STUD STRAPS

(Bracing Capacity of 3.0kN/m),
Table 8.18(d) from AS1684.2:2021 / AS1684.3:2021,
as well as AS1684.4-2010 Table 8.3(d)



See Detail B for
fixing schedule

VUESMART
Tensioners

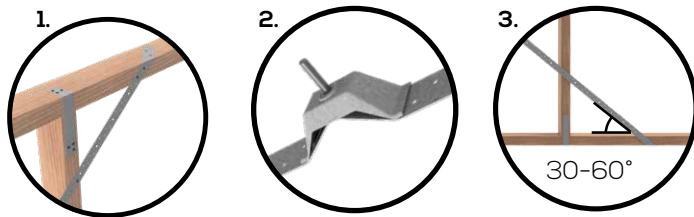


Table 2: Bracing capacity (kN) for different bracing length (m)

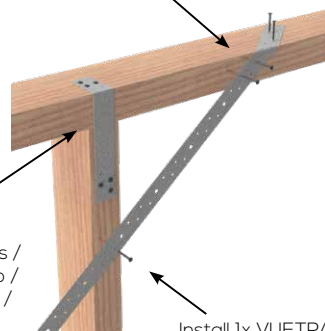
Wall height (m)	Bracing Length (m)									
	1.8	1.9	2.0	2.1	2.2	2.3	2.4	2.5	2.6	2.7
2.7	5.4	5.7	6.0	6.3	6.6	6.9	7.2	7.5	7.8	8.1
3.0	4.9	5.1	5.4	5.7	5.9	6.2	6.5	6.8	7.0	7.3

FIXING DETAILS B

WRAP OVER

Install 4x VUETRADE
30mm x 2.8mm Ø Galvanised
Connector Plate Nails
to top plate

VUETRADE Single
Sided Stud Ties /
VUETRADE Stud Ties /
30 x 0.8mm flat strip /
30 x 1.0mm flat strip /
30 x 1.2mm flat strip



Install 1x VUETRADE
30mm x 2.8mm Ø Galvanised
Connector Plate Nail
to stud

BRACING CAPACITY AND HEIGHT MODIFICATION

Values shown in Table 1 & Table 2 are valid for the wall heights stated. For wall heights greater than 2.7m, the capacity should be multiplied by a value the following table.

Table 3: Bracing wall capacity / height multiplier

BRACING WALL CAPACITY / HEIGHT MULTIPLIER	
Wall Height (mm)	Multiplier
3 000	0.90
3 300	0.80
3 600	0.75
3 900	0.70
4 200	0.64

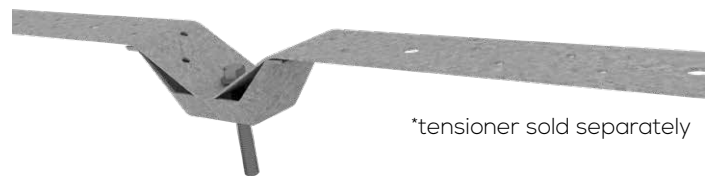
DESIGN CAPACITY DATA

Table 4: VUEBRACE Punched Builder's Strapping Strips design capacity

Brace Dimensions (Width x Thickness)	Tension Capacities (kN)
30mm x 0.8mm	6.3
30mm x 1.0mm	8.6

NOTES:

- Design capacities in Table 4 are obtained under test conditions.
- VUETRADE strongly recommends all timber connector products are installed as per the installation instructions on the relevant Technical Data Sheet, using the recommended type and quantity of fasteners.
- It is critical to confirm that any fastening method is in accordance with local building standards. For further information on installation options, refer to the VUETRADE Technical Guidelines on Fastening Methods.



*tensioner sold separately





VUEBRACE GALVANISED PUNCHED BUILDER'S STRAPPING STRIPS

NOV24

VUEBRACE NET SECTIONAL AREA COMPLIANCE

VUEBRACE Builder's Strapping complies with the minimum net sectional area of strap required in AS1684.2:2021 & AS1684.3:2021 as follow:

- VUEBRACE 30mm x 0.8mm complies with min net sectional area of 15mm² for use on structural wall bracing following specification provided in AS1684.2:2021 & AS1684.3:2021 Table 8.18(b).
- VUEBRACE 30mm x 1.0mm complies with min net sectional area of 21mm² for use on structural wall bracing following specification provided in AS1684.2:2021 & AS1684.3:2021 Table 8.18 (d).

