

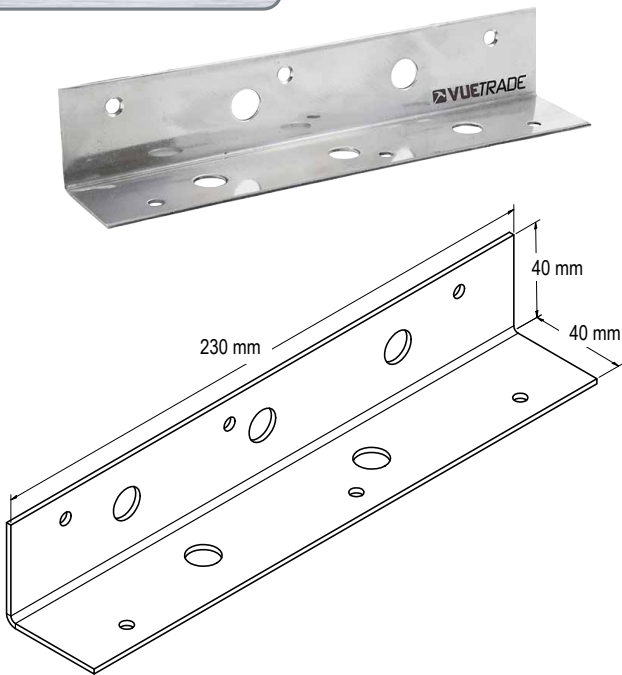


STAINLESS STEEL ULTRA HEAVY DUTY ANGLES

NOV24

Compliant with the requirements of AS1684 and AS1720.

304 STAINLESS STEEL



FASTENERS

Fasten all screw holes with 6x VUETRADE Type 17 12g x 35mm Stainless Steel Connector Plate Screws; or with 5x Stainless Steel M12 bolts fasten to appropriate bolt holes.



Install 6x VUETRADE Stainless Steel Type 17 12g x 35mm Connector Plate Screws



Install 5x Stainless Steel M12 bolts



APPLICATION

Commonly used to joint timbers at right angles. This bracket can also be used for stairs or as heavy duty support brackets.

SPECIFICATION

VUETRADE Ultra Heavy Duty Angles are manufactured from 2mm thick stainless steel 304 plate bent at 90° to suit a wide range of applications. The SS304 material provides excellent corrosion protection to accommodate for application where higher risk of corrosion is present.

PRODUCT SIZES

Product Code	Dimensions (mm)	Box Quantity
VTUHDA4040	40 x 40 x 230 x 2.0	40
VTUHDA4040BK *	40 x 40 x 230 x 2.0	20

* BLACKOUT Ultra Heavy Duty Angles are manufactured in 2.0mm 304 grade stainless steel with black powder coating.

