



for the builder

Timber Connectors
COMPLIANCE GUIDE



The builder's first choice.

vuetrade.com

DISCLAIMER

ATTENTION

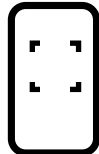
CONDITIONS OF SALE AND USE

Upon purchasing and using this product, the purchaser ("you") agrees to be bound by the conditions set out below. Do not use this product until you have read and agreed with all the terms. If, before using this product, any of these conditions are not acceptable to you, the product should be immediately returned in its original condition to the place of purchase, together with proof of purchase, for a refund.

CONDITIONS

You agree that:

1. Except to the extent of any representations made by Bellevue Group Australasia Pty Ltd in relation to this product, it remains your responsibility to ensure that the product being purchased is fit for its intended use;
2. If this product does not comply with its description, within recognised tolerances, the liability of Bellevue Group Australasia Pty Ltd will be limited solely to the cost of replacement of the product;
3. Bellevue Group Australasia Pty Ltd will not be liable to you or any other person for any injury, loss, or damage caused or contributed to by Bellevue Group Australasia Pty Ltd (or its servants or agents), directly or indirectly arising out of or related to the use of this product, whether as a result of negligence or otherwise;
4. To the greatest extent permitted by law, all warranties, conditions, liabilities or representations in relation to the product, whether express or implied, are excluded by Bellevue Group Australasia Pty Ltd;
5. Without limiting any of these terms, you may only use this product in accordance with all relevant technical data as detailed on our website (www.vuetrade.com) and only in conjunction with:
 - a. other genuine VUETRADE products manufactured from the appropriate material; or
 - b. products which Bellevue Group Australasia Pty Ltd have recommended and approved for use with the VUETRADE products.



Scan now

to access the latest VUETRADE
Compliance Guide as a PDF

vuetrade.com/complianceguide

This is Version v2.0 DEC24

ABOUT US

**Delivering on providing Innovative, Quality and Timesaving
Timber Connectors & Building Materials to the building industry.**

VUETRADE products are developed and distributed across Australia and New Zealand by Bellevue Group Australasia, a wholly Australian owned manufacturer and supplier with many years' experience in the building industry.

HISTORY

Bellevue Group Australasia | VUETRADE have a solid history and reputation for providing quality service and products. Our understanding and providing for our customer's needs comes from a long association with the building industry, and a network of retail and trade outlets for our range of products.

We strive to have as many products as possible made in Australia and New Zealand. This committal is born of two logics; we have a belief in the quality of product made locally for Australia and New Zealand conditions, and a committal to supporting jobs here in the region.

QUALITY

VUETRADE products are tested in house for compliance, development, and quality control. We are committed to supplying quality product and are consistently working to improve our testing and development capabilities.



VUETRADE

COMPLIANCE GUIDE

DISCLAIMER	2
ABOUT US	3
COMPLIANCE	6

GALVANISED

Bracing & Tensioners	9
Framing Connectors	20
Building Brackets	54
Post Supports	70
Ant Caps	94
Masonry Ties	95
Vents	98

VUEBOLT

104

STAINLESS STEEL

Bracing & Tensioners	110
Framing Connectors	112
Building Brackets	128
Post Supports	136
Ant Caps	150
Vents	151
Masonry Ties	152

Cyclonic Range

156

DURABILITY CLASSIFICATION	166
BUILDER'S STRAPPING GUIDE	168
FASTENING METHODS	170
POST SUPPORT BUYERS GUIDE	172

PRODUCTS A-Z

Adjustable Post Supports	
- Galvanised	80
Angle Brace	
- Galvanised	16
Angle Brackets - Heavy Duty	
- Galvanised	67
- Stainless Steel	134
Ant Caps	
- Galvanised	94
- Stainless Steel	150
Anti Spark Mesh	
- Stainless Steel	103
Bearer Plates	
- Galvanised	54
- Stainless Steel	128
Bolt Down Post Supports	
- Galvanised	84
- 90mm Stainless Steel	142
- Stainless Steel	144
Brick Veneer Ties	
R2 - Galvanised	95
R3 - Stainless Steel	152
R4 - Stainless Steel	153
Centre Blade Post Supports	
- Galvanised	74
- Stainless Steel	140
Concealed Bolt Down Post Supports	
- Galvanised	78
Connector Plate Nails	
- Galvanised	47
- Stainless Steel	123
Connector Plate Screws	
- Galvanised	47
Cyclone Straps	
- Galvanised	40
Cyclonic Post Supports	
- Galvanised	158
- Stainless Steel	164
Double Sleeve Expansion Ties	
- Galvanised	96
- Stainless Steel	154
Double T-Blade Post Supports	
- Galvanised	160
Expansion Ties	
- Galvanised	97
- Stainless Steel	155
Fascia Bracket	
- Galvanised	56

Flat Face Vents - Galvanised	
- Louvred	101
- Punched	100
Foil Tacks	46
Full Stirrup Post Supports	
- Galvanised	70
- Stainless Steel	136
Half Stirrup Post Supports	
- Galvanised	72
- Stainless Steel	138
Heavy Duty Joist Straps	
- Galvanised	38
Heavy Duty U-Cup Bolt Down Post Supports	
- Galvanised	162
Hold Down Brackets	
- Galvanised	60
- Stainless Steel	132
I-Beam Hangers	
- Galvanised	20
I-Beam Variable Skew Angle	
- Galvanised	62
Insul Fix Fasteners	46
Internal Wall Brackets	
- Galvanised	59
Joist Hangers	
- Galvanised	24
- Stainless Steel	112
Joist Straps	
- Galvanised	37
- Stainless Steel	124
L Stirrup Post Support	
- Galvanised	92
L Type HDG Brackets	
- Galvanised	68
Mini Grips	
- Galvanised	36
- Stainless Steel	122
Multi Grips	
- Galvanised	34
- Stainless Steel	120
Pergola Angles	
- Galvanised	58
- Stainless Steel	131
Pin Stirrup Post Supports	
- Galvanised	76
Plates - Heavy Duty	
- Galvanised	66
- Stainless Steel	135
Single Sided Stud Ties	
- Galvanised	42

Speed Brace	
- Galvanised	18
Split Joist Hangers	
- Galvanised	29
- Stainless Steel	115
Strap Nails	
- Galvanised	45
Structural HDG Brackets	
- Galvanised	69
Stud Ties	
- Galvanised	44
Sub Floor Vents	
- Louvred	
- Galvanised	99
- Punched Grid	
- Galvanised	98
- Stainless Steel	151
Tap In Plates	
- Galvanised	52
- Stainless Steel	126
T-Blade Post Supports	
- Galvanised	86
- Stainless Steel	146
T-Blade Post Supports with Adjustable Leg	
- Galvanised	90
T-Blade Post Supports with Leg	
- Galvanised	88
- Stainless Steel	148
Threaded Rod	
- Galvanised	157
Tradies Bolt Down Post Supports	
- Galvanised	82
Triple Grips	
- Galvanised	32
- Stainless Steel	118
Ultra Heavy Duty Angles	
- Stainless Steel	130
VUEBOLT	
- Zinc-Nickel Coated	106
- Stainless Steel	108
VUEBRACE	
- Light Duty Strapping	
- Galvanised	14
- Punched Builder's Strapping	
- Galvanised	10
- Stainless Steel	110
- Punched Builder's Strapping Strips	
- Galvanised	12
- Unpunched Builder's Strapping	
- Galvanised	15
VUESMART Strap Brace Tensioners	9
VUEFIX Stud-Smart Screw	48



COMPLIANCE

COMPLIANCY CERTIFICATION FOR VUETRADE TIMBER CONNECTOR PRODUCTS

This statement is issued by Bellevue Group Australasia to certify that the method of testing and VUETRADE Timber Connector products listed below, not limited to, comply with the minimum requirement set out by the relevant Australian Standard and National Construction Code.

(1) VUETRADE BUILDER'S STRAPPING

This confirms that VUETRADE Builder's Strapping as listed below fully comply with the minimum requirement outlined by the Australian Standard AS1684.2:2021 *Residential timber-framed construction; Part 2: Non-cyclonic areas*; AS1684.3:2021 *Residential timber-framed construction Part 3: Cyclonic Areas*; and AS1684.4-2010 *Residential timber-framed construction Part 4: Simplified - Non Cyclonic Areas* for application in wall bracing.

VUETRADE Builder's Strapping			
Product Dimensions	30mm x 0.8mm	30mm x 1.0mm	30mm x 1.2mm
Product Code	VB3086, VB30815, VB30830	VB3016, VB30115, VB30130, VB30150	VB301230, VB301250
Fully comply to the requirement outlined in AS1684.2 & AS1684.3	Table 8.18 part (b) and part (d)	Table 8.18 part (b) and part (d)	Table 8.18 part (b) and part (d)
Fully comply to the requirement outlined in AS1684.4	Table 8.3 part (b) and part (d)	Table 8.3 part (b) and part (d)	Table 8.3 part (b) and part (d)

VUETRADE Builder's Strapping products are manufactured with steel grade G300 and have a corrosion protection of Z275 therefore satisfy the minimum requirement outlined in:

- Clause 1.15 of AS1684.2:2021 for minimum material and corrosion protection of G300 and Z275 respectively;
- Clause 1.15 of AS1684.3:2021 for minimum material and corrosion protection of G300 and Z275 respectively; and
- Clause 1.14 of AS1684.4-2010 for minimum material and corrosion protection of G300 and Z275 respectively.

(2) VUETRADE TIMBER CONNECTORS

This confirms that VUETRADE Timber Connectors products i.e. VUETRADE Mini Grip (VTMG57), Multi Grip (VTMG100, VTMG115), Triple Grip (VTTG), Cyclonic Straps (VTCS), Joist Hanger (VJH), Tap in Plates (VTIP) etc are manufactured with steel grade G300 and have a corrosion protection of Z275, therefore satisfied the minimum requirement outlined in:

- Clause 1.15 of AS1684.2:2021 for minimum material and corrosion protection of G300 and Z275 respectively;
- Clause 1.15 of AS1684.3:2021 for minimum material and corrosion protection of G300 and Z275 respectively; and
- Clause 1.14 of AS1684.4-2010 for minimum material and corrosion protection of G300 and Z275 respectively.

Design Capacities derived and compiled for technical data for products aforementioned are derived for timber joint group defined in AS1720.1-2010 *Timber Structures Part 1: Design methods* and AS1720.2-2006 *Timber Structures Part 2: Timber Properties*.

(3) VUETRADE POST SUPPORTS

This confirms that VUETRADE Post Supports i.e. Bolt Down Post Supports (VBPS), Full Stirrup Post Support (VPS) etc satisfied the requirements of the following Australian Standards and Building Codes:

- Post supports are hot dipped galvanised as defined by the National Construction Code (NCC2022) – minimum protective coating requirements of 300g/m2 suitable for severe external environment.
- Design Capacities are derived for timber joint group defined in AS1720.1-2010 *Timber Structures Part 1: Design methods* and AS1720.2-2006 *Timber Structures Part 2: Timber Properties*.
- Where possible, termite management requirements outlined by AS3660.1:2014 *Termite Management Part 1: New Building Work* Figure 3.1(D).

(4) VUETRADE BRICK TIE PRODUCTS

This confirms that VUETRADE Brick Ties products i.e. Light/Medium Duty Brick Veneer Ties, Expansion Ties etc, satisfy the minimum requirement outlined by the following Australian Standard:

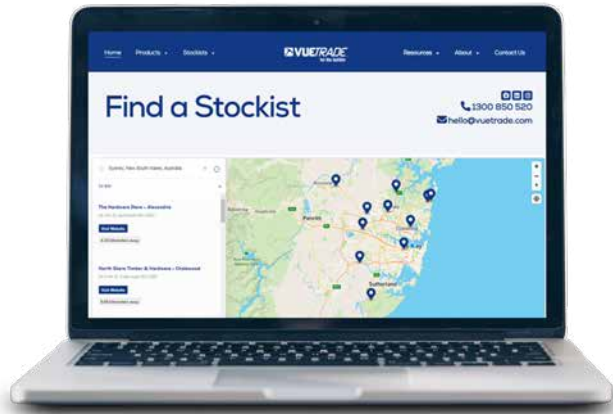
- VUETRADE Brick Ties and Expansion Ties have been tested by recognised external laboratory for compressive, tensile strength of wall ties and water transfer resistance in accordance with Appendix B and E of AS2699.1:2020 *Built-in components for masonry construction, Part 1: Wall Ties* and fully comply to the requirements outlined in AS2699.1:2020 and AS3700:2018.
- VUETRADE Brick Ties are manufactured in Z600 Galvanised Steel therefore meet the durability criteria as outlined in Section 3 of AS2699.1:2020.

(5) VUETRADE PRODUCT TESTING AND DESIGN CAPACITIES

This is to confirm that VUETRADE product range listed in (1), (2) and (3) were tested, regulated, and managed by VUETRADE's Technical and Engineering team based on the critical criteria as follows:

- VUETRADE products were tested fully adhering to the steps and requirements outlined in AS1649-2001 *Timber - Methods of test for mechanical fasteners and connectors - Basic working loads and characteristic strengths*;

- Design Capacities of VUETRADE products were derived and calculated based on requirements and recommendations outlined in AS1720.1-2010 *Timber Structures Part 1: Design methods* and *Part 2: Timber Properties, Technical Data* are prepared, updated and regulated by qualified engineer; VUETRADE timber products are tested and conducted in VUETRADE testing lab adhering to steps and requirements of AS1649-2001, using MTS Universal Testing Machine (Model: MTS-SANS CMT5105) and is operated by trained and qualified engineer who is fully versed with the relevant Australian Standards and Australian Building Code; The testing machine is verified and validated by a NATA registered laboratory.
- VUETRADE owned MTS Testing Machine is fully calibrated up-to-date by NATA accredited Australian Calibrating Services to Australian Standard AS2193-2005 and is certified to produce accurate data which is directly imported to Technical Data Sheet, downloadable for each product on the VUETRADE website;
- VUETRADE also source independent laboratory tests i.e. LMATS and specialised spectrometer testing to perform range of tests i.e. product material tests, galvanised coating tests, stainless grades and complex connector strength tests.



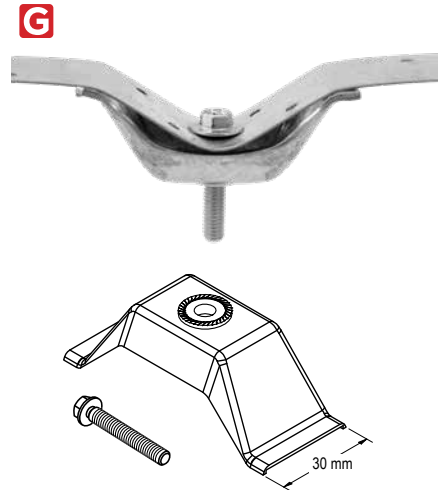
vuetrade.com



Head to www.vuetrade.com for the latest PDF version of this Compliance Guide, our Timber Connectors Product Guide and individual Product TDS's along with a whole other bunch of useful resources and searching tools.



VUESMART GALVANISED STRAP BRACE TENSIONERS



APPLICATION

VUESMART Brace Tensioners are used to provide tension to VUEBRACE Builder's Strappings, allowing wall bracing to be fully taut for effective bracing.

SIZES

Product Code	Unit	Box Qty
VUESMART	Pack of 6 + BONUS Hex Drive	25
VUESMARTBULK	Bulk Box; Pack of 10	15



Timber Connectors Compliance Data



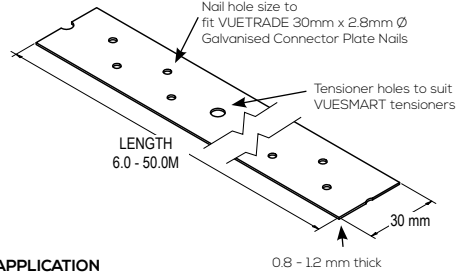
INSTALLATION GUIDE

- Place VUESMART Brace Tensioner on the strap and insert the screw through one of the centre holes of the strapping.
- Insert the screw into the nut of VUESMART Brace Tensioner and tighten using a 5/16 hex driver or standard cross-head screw driver, to pull the strap into the cupped side of the VUESMART Brace Tensioner until the strap slack is removed.
- Strap bracing is a tension brace and is installed as a cross bracing. When tensioning the straps, take care to ensure even tension to avoid distorting the frame.
- Further information on bracing and installation of VUEBRACE Builder's Strapping and VUESMART Brace Tensioners can be found in the technical data sheet of VUEBRACE Builder's Strapping.

GALVANISED



**VUEBRACE GALVANISED
PUNCHED BUILDER'S STRAPPING**



APPLICATION

VUEBRACE Builder's Strapping is used for cross-bracing wall panels, roof trusses and flooring members.

SPECIFICATION

VUEBRACE Builder's Strapping are manufactured using G300 Z275 galvanised steel, fully compliant to material and corrosion protection requirement stipulated in AS1684.2:2021 and AS1684.3:2021, as well as AS1684.4-2010.

For further information about this products net sectional area compliance see Page 168.

FASTENERS

Nails: Use only VUETRADE 30mm x 2.8mm Ø Galvanised Connector Plate Nails

SIZES

Product Code	Size (mm)	Roll length (m)
VB3086	30 x 0.8	6
VB30815	30 x 0.8	15
VB30830	30 x 0.8	30
VB30850	30 x 0.8	50
VB3016	30 x 1.0	6
VB30115	30 x 1.0	15
VB30130	30 x 1.0	30
VB30150	30 x 1.0	50
VB301230	30 x 1.2	30
VB301250	30 x 1.2	50

METAL STRAPS – TENSIONED

(Bracing Capacity of 1.5kN/m).
Table 8.18 (b) from AS1684.2:2021 / AS1684.3:2021, as well as AS1684.4-2010 Table 8.3(b)

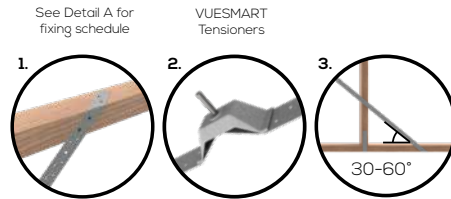
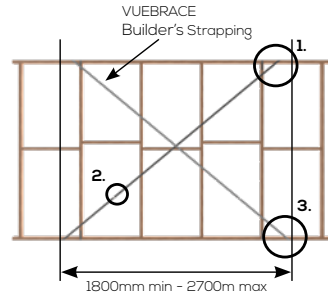
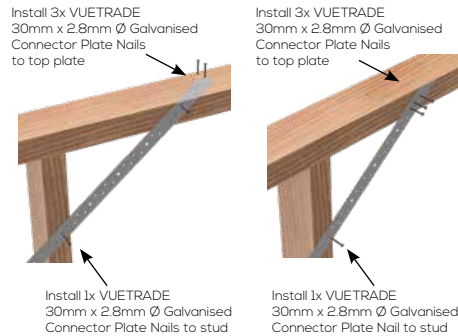


Table 1: Bracing capacity (kN) for different bracing length (m)

Wall height (m)	Bracing Length (m)									
1.8	1.9	2.0	2.1	2.2	2.3	2.4	2.5	2.6	2.7	
2.7	2.7	2.9	3.0	3.2	3.3	3.5	3.6	3.8	3.9	4.1
3.0	2.4	2.6	2.7	2.8	3.0	3.1	3.2	3.4	3.5	3.6

FIXING DETAILS A

WRAP OVER OR FACE FIXED



METAL STRAPS – TENSIONED – WITH STUD STRAPS

(Bracing Capacity of 3.0kN/m).
Table 8.18(d) from AS1684.2:2021 / AS1684.3:2021, as well as AS1684.4-2010 Table 8.3(d)

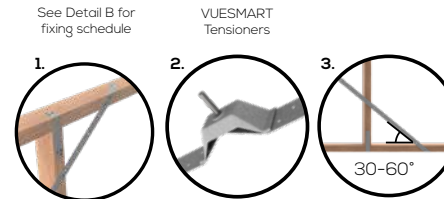
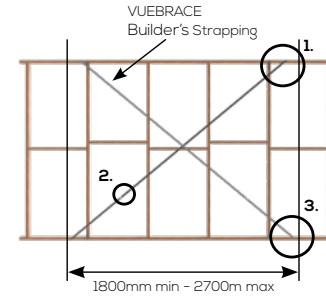
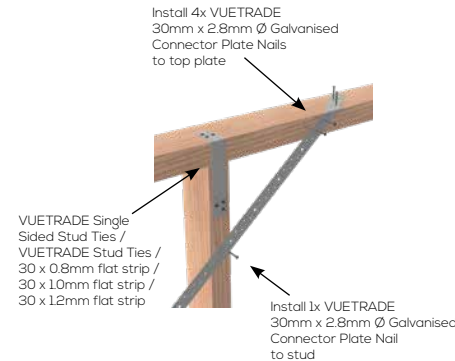


Table 2: Bracing capacity (kN) for different bracing length (m)

Wall height (m)	Bracing Length (m)									
1.8	1.9	2.0	2.1	2.2	2.3	2.4	2.5	2.6	2.7	
2.7	5.4	5.7	6.0	6.3	6.6	6.9	7.2	7.5	7.8	8.1
3.0	4.9	5.1	5.4	5.7	5.9	6.2	6.5	6.8	7.0	7.3

FIXING DETAILS B

WRAP OVER



BRACING CAPACITY AND HEIGHT MODIFICATION

Values shown in Table 1 & Table 2 above are valid for the wall heights stated. For wall heights greater than 2.7m, the capacity should be multiplied by values from Table 3.

Table 3: Bracing wall capacity / height multiplier

BRACING WALL CAPACITY / HEIGHT MULTIPLIER	
Wall Height, mm	Multiplier
3 000	0.90
3 300	0.80
3 600	0.75
3 900	0.70
4 200	0.64

DESIGN CAPACITY DATA

Table 4: VUEBRACE Builder's Strapping design capacity data

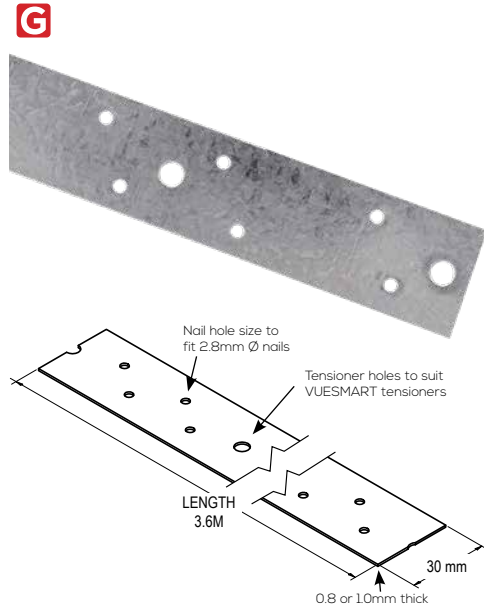
Brace Dimensions (Width x Thickness)	Tension Capacities (kN)
30mm x 0.8mm	6.3
30mm x 1.0mm	8.6
30mm x 1.2mm	11.2

NOTES:

- Design capacities in Table 4 are obtained under test conditions.
- VUETRADE strongly recommends all timber connector products are installed as per the installation instructions on the relevant Technical Data Sheet, using the recommended type and quantity of fasteners.
- It is critical to confirm that any fastening method is in accordance with local building standards. For further information on installation options, refer to the VUETRADE Technical Guidelines on Fastening Methods.



VUEBRACE GALVANISED PUNCHED BUILDER'S STRAPPING STRIPS



APPLICATION

VUEBRACE Punched Builder's Strapping Strips are a galvanised tension bracing used to brace roofs, walls, ceilings and floors, supplied in pre-cut lengths for your convenience.

SPECIFICATION

VUEBRACE Punched Builder's Strapping Strips are manufactured using G300 Z275 galvanised steel. VUEBRACE Punched Builder's Strapping Strips complies with material and corrosion protection requirement stipulated in AS1684.2:2021, AS1684.3:2021 and AS1684.4-2010.

For further information about this products net sectional area compliance see Page 168.

FASTENERS

Nails: Use only VUETRADE 30mm x 2.8mm Ø Galvanised Connector Plate Nails

SIZES

Product Code	Size (mm)	Length (m)	Pack Qty
VB30836	30 x 0.8	3.6	500
VB30136	30 x 1.0	3.6	500

METAL STRAPS – TENSIONED

(Bracing Capacity of 1.5kN/m).
Table 8.18 (b) from AS1684.2:2021 / AS1684.3:2021, as well as AS1684.4-2010 Table 8.3(b)

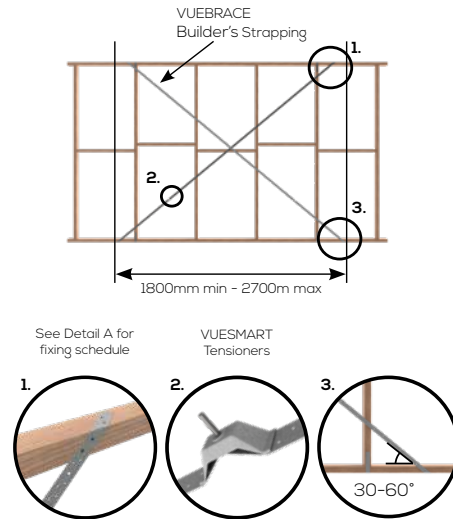
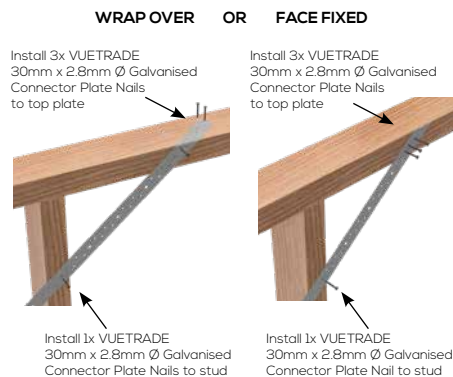


Table 5: Bracing capacity (kN) for different bracing length (m)

Wall height (m)	Bracing Length (m)									
	1.8	1.9	2.0	2.1	2.2	2.3	2.4	2.5	2.6	2.7
2.7	2.7	2.9	3.0	3.2	3.3	3.5	3.6	3.8	3.9	4.1
3.0	2.4	2.6	2.7	2.8	3.0	3.1	3.2	3.4	3.5	3.6

FIXING DETAILS A



METAL STRAPS – TENSIONED – WITH STUD STRAPS

(Bracing Capacity of 3.0kN/m).
Table 8.18(d) from AS1684.2:2021 / AS1684.3:2021, as well as AS1684.4-2010 Table 8.3(d)

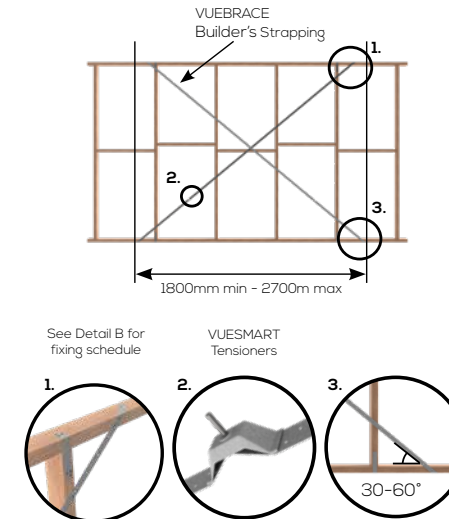
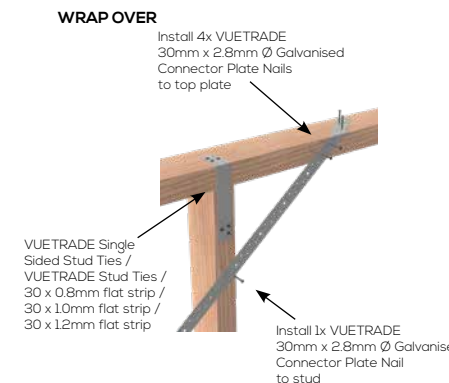


Table 6: Bracing capacity (kN) for different bracing length (m)

Wall height (m)	Bracing Length (m)									
	1.8	1.9	2.0	2.1	2.2	2.3	2.4	2.5	2.6	2.7
2.7	5.4	5.7	6.0	6.3	6.6	6.9	7.2	7.5	7.8	8.1
3.0	4.9	5.1	5.4	5.7	5.9	6.2	6.5	6.8	7.0	7.3

FIXING DETAILS B



BRACING CAPACITY AND HEIGHT MODIFICATION

Values shown in Table 5 & Table 6 are valid for the wall heights stated. For wall heights greater than 2.7m, the capacity should be multiplied by a value the following table.

Table 7: Bracing wall capacity / height multiplier

BRACING WALL CAPACITY / HEIGHT MULTIPLIER	
Wall Height (mm)	Multiplier
3 000	0.90
3 300	0.80
3 600	0.75
3 900	0.70
4 200	0.64

DESIGN CAPACITY DATA

Table 8: VUEBRACE Punched Builder's Strapping Strips design capacity

Brace Dimensions (Width x Thickness)	Tension Capacities (kN)
30mm x 0.8mm	6.3
30mm x 1.0mm	8.6

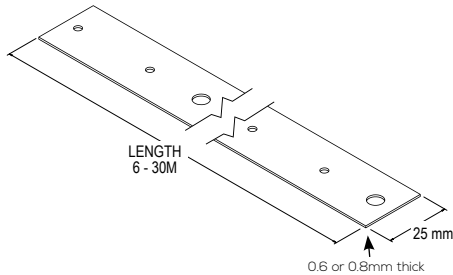
NOTES:

- Design capacities in Table 8 are obtained under test conditions.
- VUETRADE strongly recommends all timber connector products are installed as per the installation instructions on the relevant Technical Data Sheet, using the recommended type and quantity of fasteners.
- It is critical to confirm that any fastening method is in accordance with local building standards. For further information on installation options, refer to the VUETRADE Technical Guidelines on Fastening Methods.





**VUEBRACE GALVANISED
LIGHT DUTY STRAPPING**



APPLICATION

VUEBRACE Light Duty Strapping is used for bracing outdoor fences where no heavy loads or wind uplifts are present.

SPECIFICATION

VUEBRACE Light Duty Strapping is manufactured using G300 Z275 galvanised steel.

FASTENERS

Nails: Use only VUETRADE 30mm x 2.8mm Ø Galvanised Connector Plate Nails

SIZES

Product Code	Size (mm)	Roll length (m)
VB2566	25 x 0.6	6
VB25615	25 x 0.6	15
VB25630	25 x 0.6	30
VB25815	25 x 0.8	15
VB25830	25 x 0.8	30

DESIGN CAPACITY DATA

Table 9: VUEBRACE Light Duty Strapping design capacity data

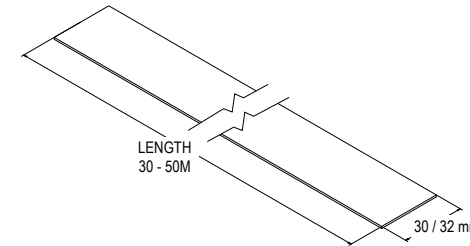
Brace Dimensions (Width x Thickness)	Tensile capacities (kN)
25mm x 0.6mm	3.7
25mm x 0.8mm	4.7

NOTES:

- VUEBRACE Light Duty Strapping shall not be used as structural bracing of wall and roof. AS1684 requires bracing of minimum cross-sectional size of 30mm x 0.8mm.
- Design capacities above are obtained under test conditions.
- VUETRADE strongly recommends all timber connector products are installed as per the installation instructions on the relevant Technical Data Sheet, using the recommended type and quantity of fasteners.
- It is critical to confirm that any fastening method is in accordance with local building standards. For further information on installation options, refer to the VUETRADE Technical Guidelines on Fastening Methods.



**VUEBRACE GALVANISED
UNPUNCHED BUILDER'S
STRAPPING**



APPLICATION

VUEBRACE Unpunched Builder's Strapping is a multipurpose steel strap for general bracing of non-structural applications. VUEBRACE Unpunched Builder's Strapping can be used, on carport and pergola constructions and general tie-down applications as specified in AS1684.2:2021 & AS16840.3:2021

SPECIFICATION

VUEBRACE Unpunched Builder's Strapping is manufactured using G300 Z275 galvanised steel.

FASTENERS

Nails: Use only VUETRADE 30mm x 2.8mm Ø Galvanised Connector Plate Nails

SIZES

Product Code	Size (mm)	Roll length (m)
VB30830UP	30mm x 0.8mm	30
VB301230UP	30mm x 1.2mm	30
Also available by custom order:		
VB321230UP	32mm x 1.2mm	30
VB321250UP	32mm x 1.2mm	50

DESIGN CAPACITY DATA

Table 10: VUEBRACE Unpunched Builder's Strapping design capacity data

Brace Dimensions (Width x Thickness)	Max Tension (kN)
30mm x 0.8mm	8.8
30mm x 1.2mm	12.8

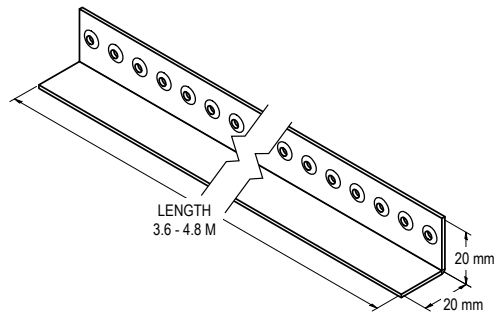
NOTES:

1. Design capacities above are obtained under test conditions.
2. VUEBRACE Unpunched Builder's Strapping is not suitable for structural bracing. Use Punched VUEBRACE Builder's Strapping for structural bracing application.
3. Ensure installation of Unpunched Builder's Strapping either by punching nails/screws through or any means of strapping do not compromise the materials. Ensure that fasteners be evenly spaced out and avoid driving nails too close to the edge of the material where material tear could occur prematurely.
4. VUETRADE strongly recommends all timber connector products are installed as per the installation instructions on the relevant Technical Data Sheet, using the recommended type and quantity of fasteners.
5. It is critical to confirm that any fastening method is in accordance with local building standards. For further information on installation options, refer to the VUETRADE Technical Guidelines on Fastening Methods.





GALVANISED ANGLE BRACE



APPLICATION

VUETRADE Angle Brace are typically used for bracing of timber framed walls in accordance with AS1684.2:2021, AS1684.3:2021, AS1684.4:2010.

SPECIFICATION

VUEBRACE Angle Brace are manufactured using G300 Z275 galvanised steel, fully compliant to material and corrosion protection requirement stipulated in AS1684.2 and AS1684.3, as well as AS1684.4.

FASTENERS

Nails: Use only VUETRADE 30mm x 2.8mm Ø Galvanised Connector Plate Nails

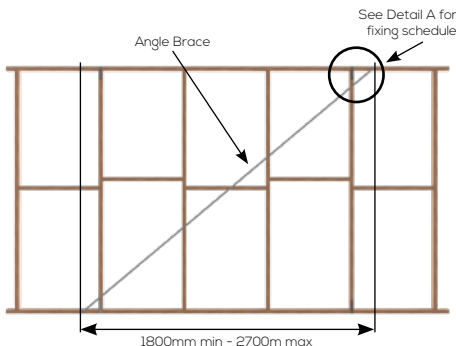
SIZES

Product Code	Length (m)	Pack Qty
ANGLE3610	3.6	10
ANGLE4210	4.2	10
ANGLE4810	4.8	10

INSTALLATION GUIDE

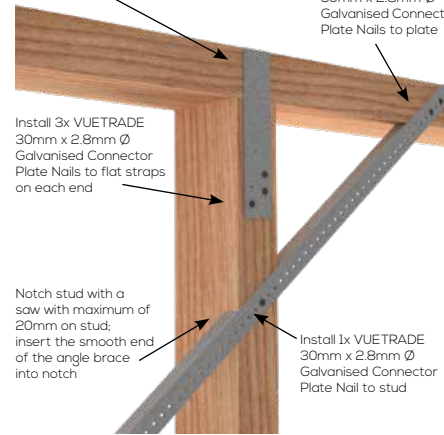
ANGLE BRACE

(Bracing Capacity of 1.5kN/m), Table 8.18 (c) AS1684.2:2021 / AS1684.3:2021, as well as AS1684.4-2010 Table 8.3(c)



FIXING DETAIL A

VUETRADE Single Sided Stud Ties / VUETRADE Stud Ties / 30mm x 0.8mm flat straps



Values shown in table above are valid for the wall heights stated. For wall heights greater than 2.7m, the capacity should be multiplied by value in Table II.

Table II: Angle Brace wall capacity / height multiplier

BRACING WALL CAPACITY / HEIGHT MULTIPLIER	
Wall Height (mm)	Multiplier
3 000	0.90
3 300	0.80
3 600	0.75
3 900	0.70
4 200	0.64



DESIGN CAPACITY

Table 12: VUETRADE Angle Brace design capacities

VUETRADE Angle Brace	Tension Capacities (kN)
	7.5 kN

Note: Design capacities in Table 12 are obtained under test conditions.

IMPORTANT NOTICE:

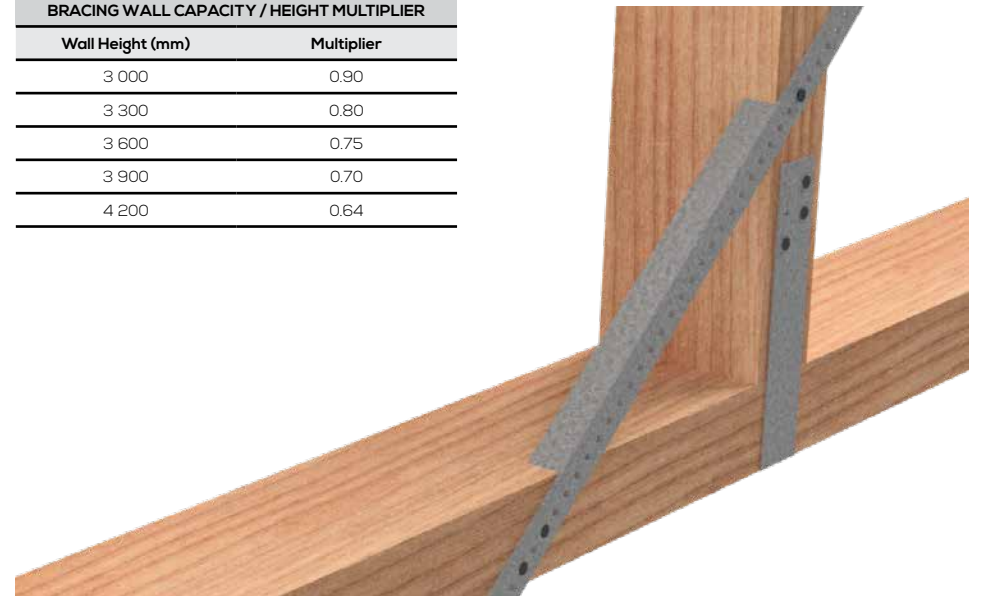
As products are continuously subjected to improvements and modifications to be constantly compliant to strict Australian Standards, VUETRADE may change/modify the product description and specification without notice. VUETRADE advice users to constantly keep up to date on the latest design specifications are being used.

BRACING CAPACITY AND HEIGHT MODIFICATION

Angle Brace installed following specification from AS1684.2:2021/ AS1684.3:2021 Table 8.18(c) would have the following bracing capacity shown in Table 13 below

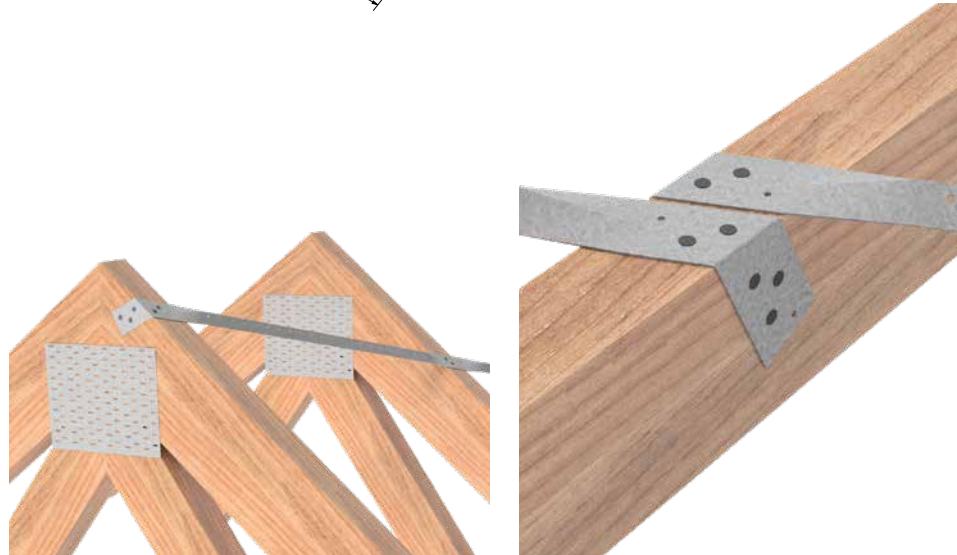
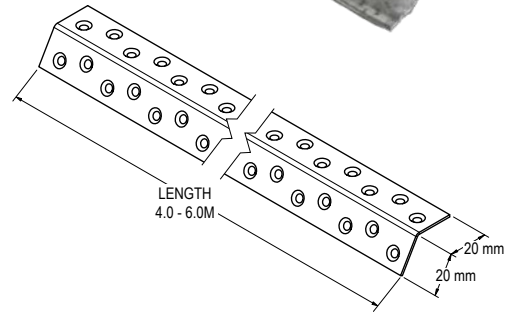
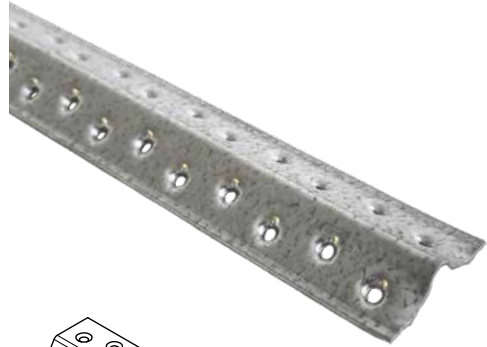
Table 13: Angle Brace bracing capacity

Wall height (m)	Bracing Length (m)									
	1.8	1.9	2.0	2.1	2.2	2.3	2.4	2.5	2.6	2.7
2.7	2.7	2.9	3.0	3.2	3.3	3.5	3.6	3.8	3.9	4.1
3.0	2.4	2.6	2.7	2.8	3.0	3.1	3.2	3.4	3.5	3.6





GALVANISED SPEED BRACE



APPLICATION

VUETRADE Speed Brace are a pre-punched, rigid bracing used for top chord roof bracing. Manufactured and pre-formed angle for easy installation and guarantees excellent tension capacity.

Pre-punched for quick and easy installation, VUETRADE Speed Brace provides solution for resisting buckling in the trusses, as well as from the wind uplift.

SPECIFICATION

VUETRADE Speed Brace is manufactured using 40mm x 10mm thick G300 Z275 galvanised steel to meet AS4440-2004 requirements.

FASTENERS

Nails: Use only VUETRADE 30mm x 2.8mm Ø Galvanised Connector Plate Nails

Detailed installation illustration is given in the following section of this document. AS4440-2004 shall be read in conjunction with this document for further fixing details and installation guide.

PRODUCT SIZES

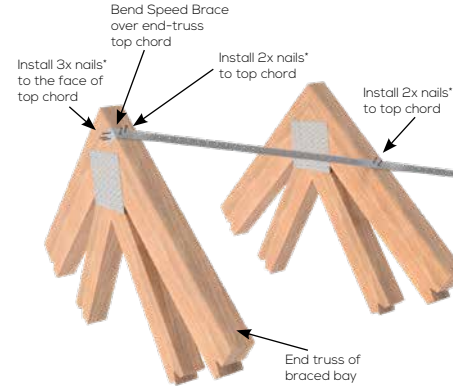
Product Code	Size (m)	Pack Quantity
SPEED410	4.0	10
SPEED510	5.0	10
SPEED610	6.0	10



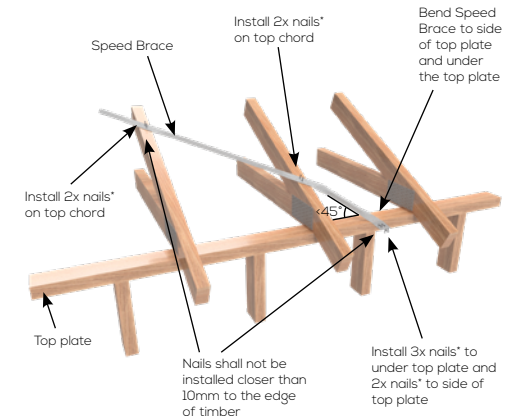
INSTALLATION AND NAILING SCHEDULE (ROOF BRACING)

Install VUETRADE Speed Brace following the installation methods detailed below, further installation guides and fixing details shall refer to the Australian Standard AS4440-2004 - *Installation of nailed timber roof trusses*.

END FIXING AT APEX INSTALLATION

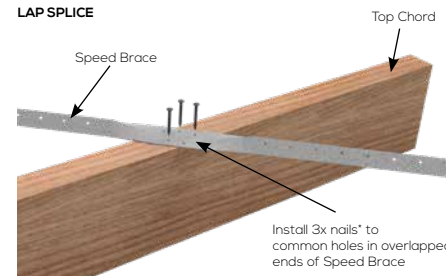


END FIXING DETAILS AT HEEL TO TOP PLATE

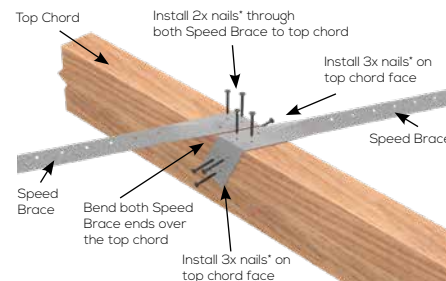


* Use only VUETRADE 30mm x 2.8mm Ø Galvanised Connector Plate Nails.

SPEED BRACE SPLICING INSTALLATION



WRAP AROUND SPLICE



DESIGN CAPACITIES

VUETRADE Speed Brace has been tested to meet the tension capacity requirements outlined in AS4440-2004 - *Installation of nailed timber roof trusses for steelbrace*, with design capacity shown in Table 14.

Table 14: Design capacity of VUETRADE Speed Brace

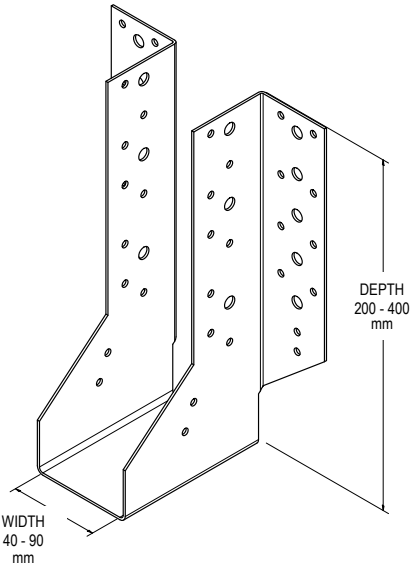
Product	Product Size	Design Capacity, kN
VUETRADE Speed Brace	20 x 20mm x 10mm thickness	9.63 kN

NOTES:

1. Design Capacity obtained in Table 14 is obtained via test and computed by VUETRADE following requirements outlined in relevant Australian Standards.
2. To achieve tabulated design capacity, VUETRADE Speed Brace must be installed in accordance to the installation methods listed in this document or to specifications listed in AS4440-2004.
3. Use only VUETRADE 30mm x 2.8mm Ø Galvanised Connector Plate Nails to fasten Speed Brace to roof truss / top chord to achieve design capacity.



GALVANISED I-BEAM HANGER



APPLICATION

VUETRADE I-Beam Hangers are multi-purpose hanger brackets for securely connecting I-Beams and large joists to framing structures.

SPECIFICATION

VUETRADE I-Beam Hangers are manufactured from G300 Z275 galvanised steel in 1.2mm thickness (TCT).

FASTENERS

Nails: Use VUETRADE 33mm x 3.15mm Ø Galvanised Connector Plate Nails **OR:**

Screws: VUETRADE Type 17 12G x 35mm screws.

Bottom Screw: 1x appropriate 6G x 30mm bugle head galvanised screw.

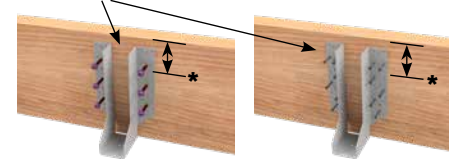
SIZES

Product Code	Nominal Size (mm)	Minimal Installation Quantity of:	
		12G x 35mm Screws	33 x 3.15mm Nails
VIBHF40240	40 x 240	6	16
VIBHF40300	40 x 300	8	18
VIBHF45200	45 x 200	6	12
VIBHF45240	45 x 240	6	16
VIBHF45300	45 x 300	8	18
VIBHF51240	51 x 240	6	16
VIBHF51300	51 x 300	8	18
VIBHF63200	63 x 200	6	12
VIBHF63240	63 x 240	6	16
VIBHF63300	63 x 300	8	18
VIBHF70240	70 x 240	6	16
VIBHF70300	70 x 300	8	18
VIBHF90200	90 x 200	6	12
VIBHF90240	90 x 240	6	16
VIBHF90300	90 x 300	8	18
VIBHF90360	90 x 360	10	20
VIBHF90400	90 x 400	10	20

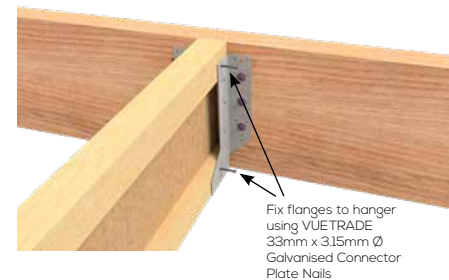
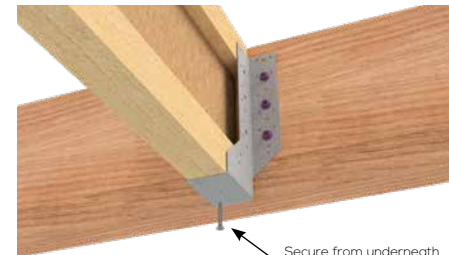
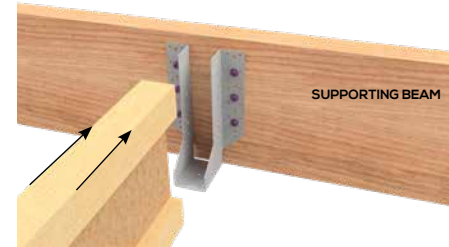


INSTALLATION GUIDE

Fix I-Beam Hanger with VUETRADE Type 17 12G x 35mm screws or 33mm x 3.15mm Ø Galvanised Connector Plate Nails to the supporting beam



* Ensure minimum distance to edge of timber from the nearest fastener is no closer than 30mm (screws) or 17mm (nails).



1. Select suitable size I-Beam Hanger using size table on previous page, ensuring sufficient minimum hanger depth for each of the beams/joists.
2. Attach the I-Beam Hanger to the supporting member first using the recommended number of VUETRADE Type 17 12G x 35mm screws **OR** 33mm x 3.15mm Ø Galvanised Connector Plate Nails as detailed in Table 1.

I-Beam hangers will have more fixing holes than the recommended amount of fasteners. For screws, begin on the highest possible row (taking into account minimum distance to the timber edge), and space evenly through the hanger. For nails, secure the highest possible outer hole first, and non-aligned on each row below (zig-zag). Refer to the charts on Page 23 for visual representation.

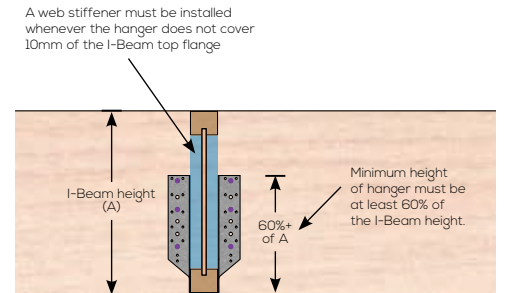
Ensure to only drive fasteners no closer than 30mm for screws, or 17mm for nails from the timber edge to prevent timber splitting, as required by AS1720.1.

3. Place the supported I-Beam or joist and secure an appropriate 6G x 30mm bugle head galvanised screw through the bottom hole. Fix nails through the hanger into the bottom and top flanges of the I-Beam.

NOTE:

The I-Beam hanger must cover at least 10mm of the top flange. If the height of the I-Beam hanger is covering less than 10mm of the top flange, install a web stiffener to restrict rotation. The height of the hanger must be at least 60% of the I-Beam height.

For any other installation methods please contact VUETRADE for more information about risks and considerations along with installation guide and design capacities.





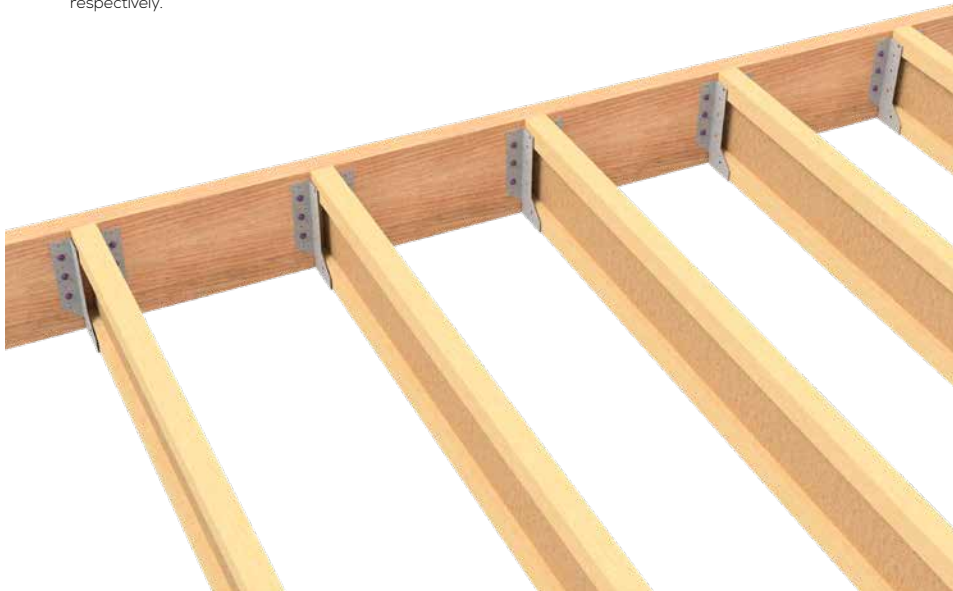
DESIGN CAPACITY DATA

Table 15. Design Capacity data for screw or nail fixing of I-Beam Hanger

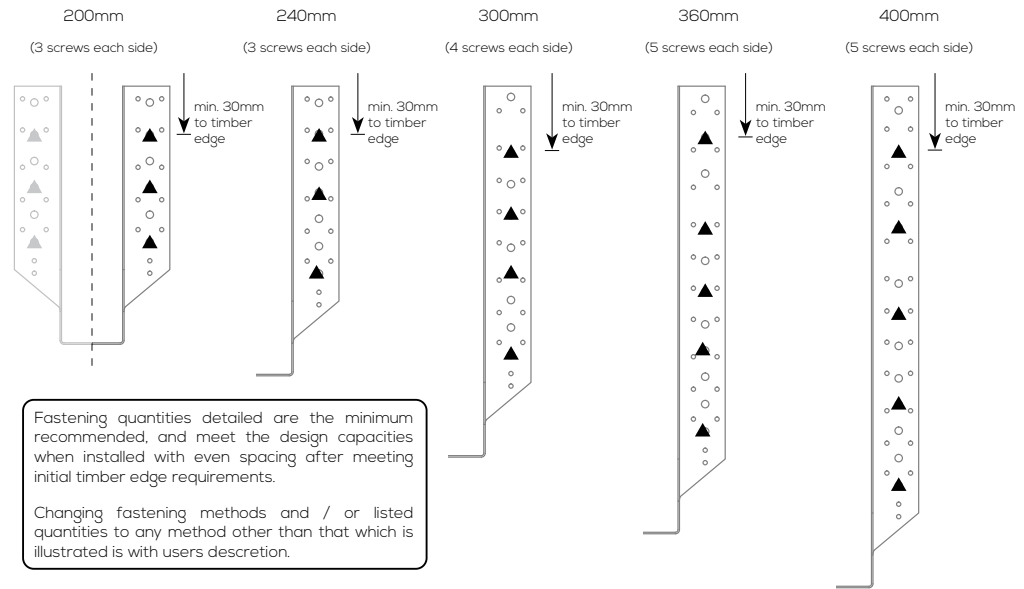
Height of hanger	Number of fixings on supporting Beam A		Type of load	Joint Group		
	Screws	Nails		JD3	JD4	JD5
200mm	6 (3 on left + 3 on right)	12 (6 on left + 6 on right)	Dead Load	7.4	5.3	4.5
			Dead Load + Floor Live Load	9.0	6.4	5.4
240mm	6 (3+3)	16 (8+8)	Dead Load	9.7	6.9	5.6
			Dead Load + Floor Live Load	11.7	8.4	6.8
300mm	8 (4+4)	18 (9+9)	Dead Load	10.8	7.7	6.5
			Dead Load + Floor Live Load	13.1	9.3	7.8
360mm	10 (5+5)	20 (10+10)	Dead Load	11.9	8.5	7.1
			Dead Load + Floor Live Load	14.4	10.3	8.6
400mm	10 (5+5)	20 (10+10)	Dead Load	11.9	8.5	7.1
			Dead Load + Floor Live Load	14.4	10.3	8.6

NOTES:

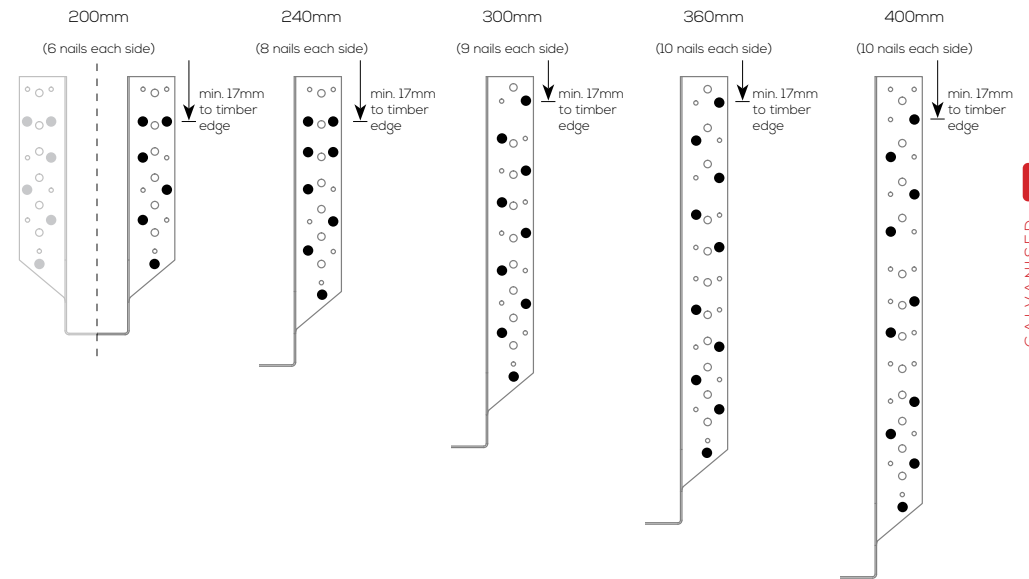
- Modification factors k1 for different load cases in the design capacities of Table 15 are adopted from ASI7201-2010.
- Design capacities in Table 15 are based on Category 1 joints where it is applicable for failures that would be unlikely to affect an area of greater than 25m². For Category 2 and Category 3 joints, design capacities from the table are multiplied by 0.941 and 0.882 respectively.
- NEVER punch nails through sheet metal as it results in weaker, non-compliant connections.



VUETRADE TYPE 17 12G X 35mm MINIMUM SCREW FASTENING METHOD



VUETRADE 33 x 3.15mm NAIL MINIMUM FASTENING METHOD

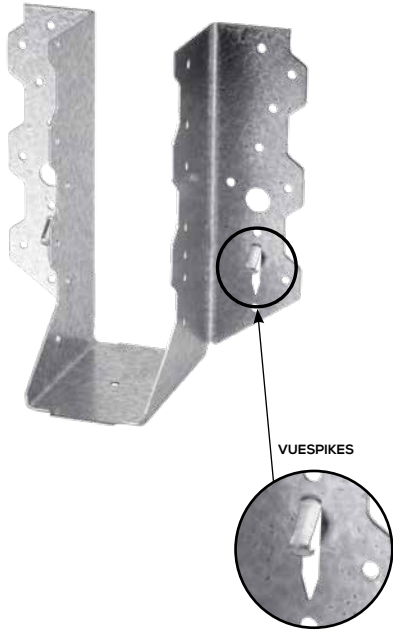


GALVANISED

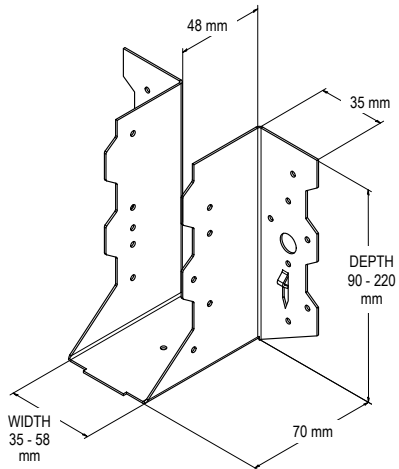




GALVANISED JOIST HANGERS



VUESPIKES



APPLICATION

VUETRADE Galvanised Joist Hangers are manufactured with VUESPIKES for easy and fast installation.

SPECIFICATION

VUETRADE Galvanised Joist Hangers are manufactured from G300 Z275 galvanised steel in 1.0 mm thickness (TCT).

FASTENERS

Nails: Use VUETRADE 30mm x 2.8mm Ø Galvanised Connector Plate Nails **OR:**

Screws: VUETRADE Type 17 12G x 35mm screws.

SIZES

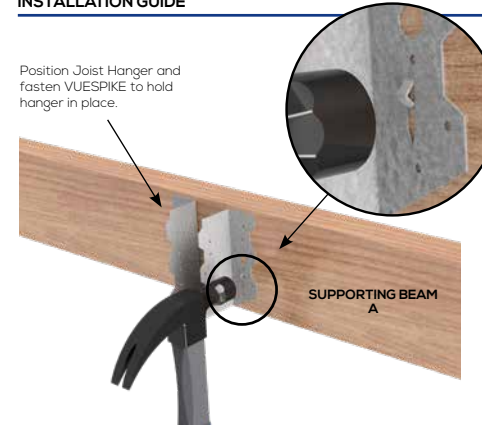
Product Code	Nominal Size (mm)	Box Qty
VJH3590	35 x 90	45
VJH35120	35 x 120	30
VJH35140	35 x 140	30
VJH35180	35 x 180	30
VJH3890	38 x 90	45
VJH38120	38 x 120	30
VJH38140	38 x 140	30
VJH38180	38 x 180	30
VJH4590	45 x 90	45
VJH45120	45 x 120	30
VJH4590	45 x 90	45
VJH45180	45 x 180	30
VJH45220	45 x 220	20
VJH5090	50 x 90	45
VJH50120	50 x 120	30
VJH50140	50 x 140	30
VJH50180	50 x 180	30
VJH50220	50 x 220	20
VJH58180	58 x 180	30
VJH4590BK *	45 x 90	20
VJH45140BK *	45 x 140	20



* BLACKOUT Joist Hangers are manufactured in 10mm G300 Z275 galvanised steel with black powder coating.



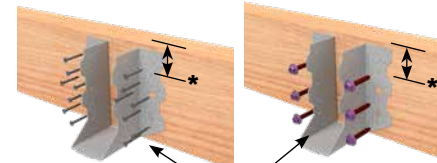
INSTALLATION GUIDE



Position Joist Hanger and fasten VUESPIKE to hold hanger in place.

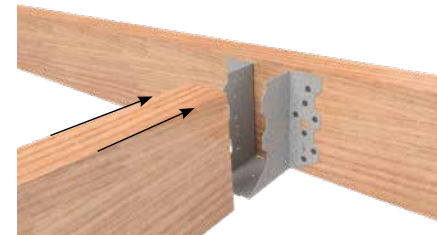
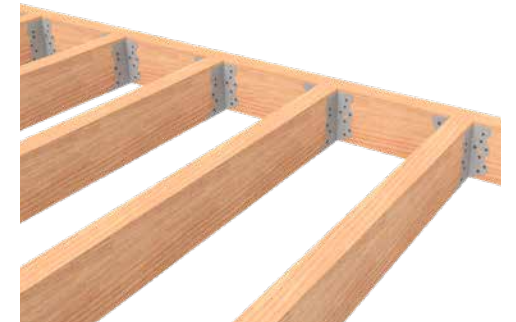
SUPPORTING BEAM A

1. Suitable size Joist Hanger shall be selected using size table on previous page, ensuring sufficient hanger depth is provided for different joist / beam sizes.
2. Joist Hanger should be fixed to the supporting member first. It can be quickly and easily held in place by VUESPIKES before fastening hanger with nails.
3. Fix VUETRADE 30mm x 2.8mm Ø Galvanised Connector Plate Nails or VUETRADE Type 17 12G x 35mm screws through Joist Hanger to supporting beam, using the recommended number of fixings listed in Table 16 or 17.
4. Install supported beam (usually floor beams / joists) to hangers and fasten supported beams with VUETRADE 30mm x 2.8mm Ø Galvanised Connector Plate Nails or VUETRADE Type 17 12G x 35mm screws, using recommended number of fixings listed in Table 16 or 17.



Fix Joist Hanger with 30mm x 2.8mm Ø Galvanised Connector Plate Nails or VUETRADE Type 17 12G x 35mm screws to supporting beam A

* Ensure minimum distance to edge of timber from the nearest fastener is no closer than 30mm (screws) or 17mm (nails).



SUPPORTED BEAM B



Fix supported beam B to Joist Hanger with VUETRADE 30mm x 2.8mm Ø Galvanised Connector Plate Nails or VUETRADE Type 17 12G x 35mm screws





DESIGN CAPACITY DATA

Table 16: Design Capacity data for nail fixing of Joist Hanger

Sizes	Number of Nails		Type of load	Joint Group					
	Fixing on supporting Beam A	Fixing on supported Beam B		J3	J4	J5	JD3	JD4	JD5
90mm	10	8	Dead Load	3.9	2.7	2.1	5.4	3.9	3.2
			Dead Load + Floor Live Load	4.7	3.3	2.5	6.5	4.7	3.8
			Dead Load + Roof Live Load	5.2	3.7	2.8	7.3	5.2	4.3
			Dead Load + Wind Load	6.2	4.4	3.3	8.7	6.2	5.1
120mm	14	10	Dead Load	4.8	3.4	2.5	7.1	5.0	4.1
			Dead Load + Floor Live Load	5.8	4.1	3.1	8.5	6.1	5.0
			Dead Load + Roof Live Load	6.4	4.5	3.4	9.5	6.8	5.6
			Dead Load + Wind Load	7.7	5.5	4.1	10.8	7.7	6.3
140mm	18	12	Dead Load	5.8	4.1	3.1	8.9	6.4	5.2
			Dead Load + Floor Live Load	7.1	5.0	3.8	10.8	7.7	6.3
			Dead Load + Roof Live Load	7.9	5.6	4.2	12.0	8.6	7.1
			Dead Load + Wind Load	8.6	6.1	4.6	11.4	8.2	6.7
180mm	22	14	Dead Load	6.8	4.8	3.6	10.7	7.7	6.3
			Dead Load + Floor Live Load	8.2	5.8	4.4	13.0	9.3	7.6
			Dead Load + Roof Live Load	9.2	6.5	4.9	14.5	10.3	8.5
			Dead Load + Wind Load	9.1	6.4	4.9	13.9	9.9	8.1
220mm	26	18	Dead Load	7.9	5.6	4.2	12.4	8.9	7.3
			Dead Load + Floor Live Load	9.6	6.8	5.1	15.1	10.8	8.8
			Dead Load + Roof Live Load	10.7	7.5	5.7	16.8	12.0	9.8
			Dead Load + Wind Load	12.6	8.9	6.7	16.0	11.4	9.4

Please see notes on following page underneath Table 17.



DESIGN CAPACITY DATA

Table 17: Design Capacity data for screw fixing of Joist Hanger

Sizes	Number of Screws		Type of load	Joint Group		
	Fixing on supporting Beam A	Fixing on supported Beam B		JD3	JD4	JD5
90mm	4	4	Dead Load	5.4	4.9	3.5
			Dead Load + Floor Live Load	6.5	5.9	4.2
			Dead Load + Roof Live Load	7.3	6.6	4.7
			Dead Load + Wind Load	8.7	9.8	6.9
120mm	6	4	Dead Load	7.4	7.4	5.2
			Dead Load + Floor Live Load	8.9	8.9	6.3
			Dead Load + Roof Live Load	9.9	9.9	7.0
			Dead Load + Wind Load	9.8	9.8	6.9
140mm	6	4	Dead Load	8.9	7.4	5.2
			Dead Load + Floor Live Load	10.8	8.9	6.3
			Dead Load + Roof Live Load	12.0	9.9	7.0
			Dead Load + Wind Load	12.1	9.8	6.9
180mm	8	6	Dead Load	10.7	9.8	6.9
			Dead Load + Floor Live Load	13.0	11.9	8.4
			Dead Load + Roof Live Load	14.5	13.2	9.4
			Dead Load + Wind Load	14.7	14.7	10.4
220mm	10	8	Dead Load	12.5	11.5	8.2
			Dead Load + Floor Live Load	15.1	13.9	9.9
			Dead Load + Roof Live Load	16.9	15.6	11.0
			Dead Load + Wind Load	19.6	19.6	13.9

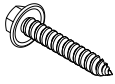
NOTES:

- Capacities tabulated above are for supporting beam (Beam A) to be minimum of 35mm thickness.
- Design capacities in Table 16 are based on Category 1 joints where it is applicable for failures that would be unlikely to affect an area of greater than 25m². For Category 2 and Category 3 joints, design capacities from the table are multiplied by 0.941 and 0.882 respectively.
- Ensure that the Joist Hanger covers at least 60% of the depth of the supported member, unless additional lateral restraint on the top of supported member is provided.
- Supporting beams/trusses made from multiple ply must be laminated and fastened together as per ASI684. Joist Hangers fixed with screws must use 65mm length screws in lieu of 35mm to fix into double ply beams/trusses unless advised otherwise. Alternative fixing to laminate multiple ply beams/trusses shall be provided by relevant engineering authorities.
- Fixing of Joist Hangers with VUETRADE connector plate screws to follow fixing configuration supplied in this document to ensure proper load distribution and spacing are adhered to.
- VUETRADE strongly recommends all timber connector products are installed as per the installation instructions on the relevant Technical Data Sheet, using the recommended type and quantity of fasteners.
- It is critical to confirm that any fastening method is in accordance with local building standards. For further information on installation options, refer to the VUETRADE Technical Guidelines on Fastening Methods.



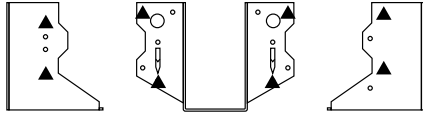


Timber Connectors Compliance Data

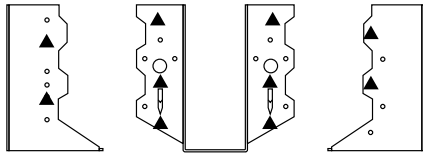


VUETRADE TYPE 17 12G X 35mm MINIMUM SCREW FASTENING METHOD FOR JOIST HANGERS

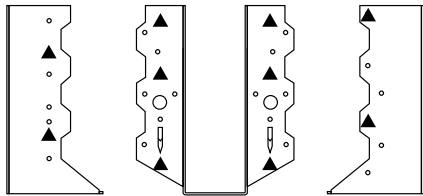
90mm



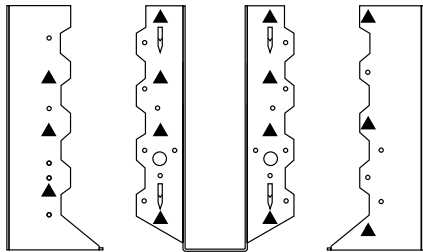
120mm



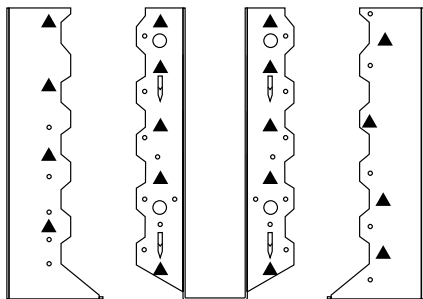
140mm



180mm



220mm



Fastening quantities detailed are the minimum recommended, and meet the design capacities when installed with even spacing after meeting initial timber edge requirements.

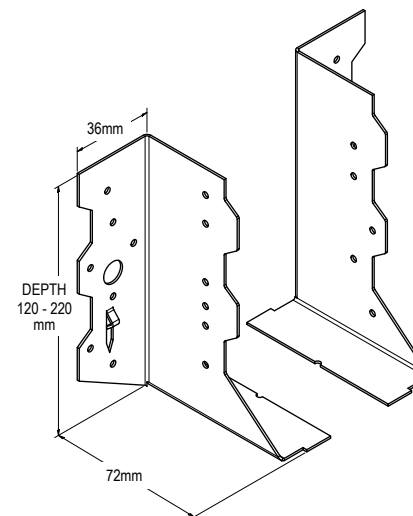
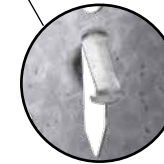
Changing fastening methods and / or listed quantities to any method other than that which is illustrated is with users discretion.



GALVANISED SPLIT JOIST HANGERS



VUESPIKES



Timber Connectors Compliance Data



APPLICATION

VUETRADE Split Joist Hangers are fast fixing, multi-purpose hangers for joist, beam and truss connections where timber is over the width of 50mm, to be installed as a pair.

SPECIFICATION

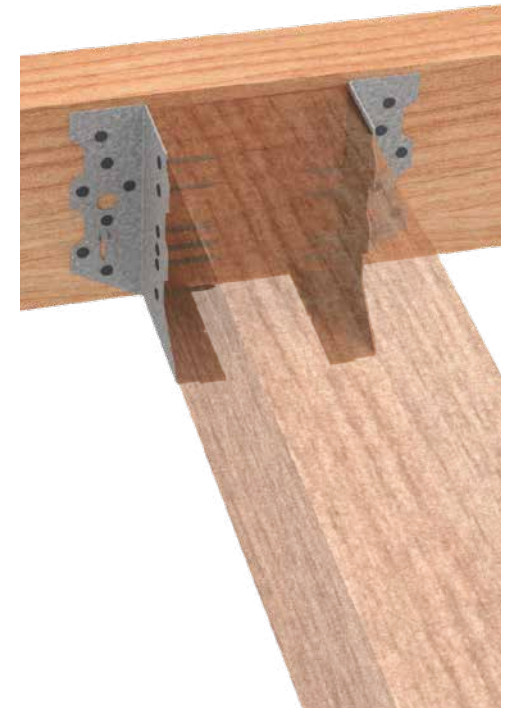
VUETRADE Galvanised Split Joist Hangers are Australian Made with a galvanised finish (G300 Z275).

FASTENERS

Nails: Use only VUETRADE 30mm x 2.8mm Ø Galvanised Connector Plate Nails

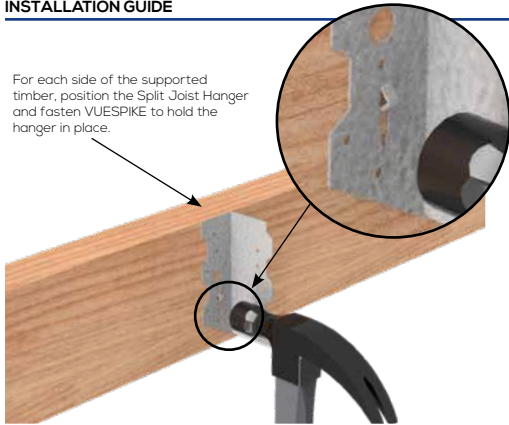
SIZES

Product Code	Size (mm)	Box Qty
VSJH120	120	30 pairs
VSJH140	140	30 pairs
VSJH180	180	30 pairs
VSJH220	220	20 pairs



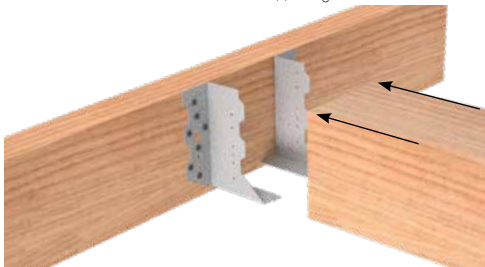


INSTALLATION GUIDE

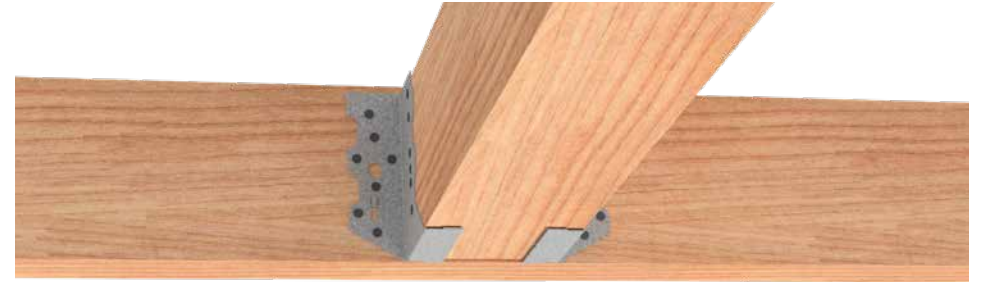
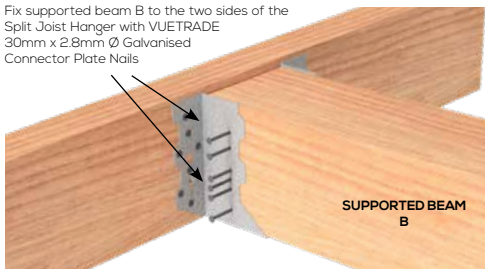


For each side of the supported timber, position the Split Joist Hanger and fasten VUESPIKE to hold the hanger in place.

1. Suitable size Split Joist Hanger shall be selected using Product Sizes table on previous page, ensuring sufficient hanger depth is provided for different joist / beam sizes.
2. Both sides of the Split Joist Hanger should be fixed to the supporting member first. It can be quickly and easily held in place by VUESPIKES before fastening hanger with nails.
3. Fix VUETRADE 30mm x 2.8mm Ø Galvanised Connector Plate Nails through Split Joist Hanger to supporting beam, using the recommended number of nails in Table 18.
4. Install supported beam (usually floor beams / joists) to hangers and fasten supported beams with VUETRADE 30mm x 2.8mm Ø Galvanised Connector Plate Nails, using recommended number of nails listed in Table 18.



Fix supported beam B to the two sides of the Split Joist Hanger with VUETRADE 30mm x 2.8mm Ø Galvanised Connector Plate Nails



DESIGN CAPACITY DATA

Table 18: Design capacity data for Split Joist Hanger [used in pairs]

Sizes	Number of Nails		Type of load	Joint Group					
	Fixing on supporting Beam A	Fixing on supported Beam B		J3	J4	J5	JD3	JD4	JD5
120mm	14 (7 on each side)	11 (6 on left, 5 on right)	Dead Load	4.0	2.8	2.1	5.6	4.0	3.3
			Dead Load + Floor Live Load	4.8	3.4	2.6	6.3	4.8	4.0
			Dead Load + Roof Live Load	5.4	3.8	2.9	7.6	5.4	4.4
			Dead Load + Wind Load	8.0	5.7	4.3	11.2	8.0	6.6
140mm	18 (9 on each side)	13 (7 on left, 6 on right)	Dead Load	4.7	3.3	2.5	6.6	4.7	3.8
			Dead Load + Floor Live Load	5.7	4.0	3.0	7.9	5.7	4.6
			Dead Load + Roof Live Load	6.3	4.5	3.4	8.8	6.3	5.2
			Dead Load + Wind Load	9.4	6.6	5.0	13.1	9.4	7.7
180mm	22 (11 on each side)	15 (8 on left, 7 on right)	Dead Load	5.4	3.8	2.9	7.5	5.4	4.4
			Dead Load + Floor Live Load	6.5	4.6	3.5	9.1	6.5	5.3
			Dead Load + Roof Live Load	7.2	5.1	3.9	10.1	7.2	5.9
			Dead Load + Wind Load	10.7	7.6	5.7	15.0	10.7	8.8
220mm	26 (13 on each side)	17 (9 on left, 8 on right)	Dead Load	6.0	4.3	3.2	8.4	6.0	4.9
			Dead Load + Floor Live Load	7.3	5.2	3.9	10.2	7.3	6.0
			Dead Load + Roof Live Load	8.1	5.7	4.3	11.4	8.1	6.7
			Dead Load + Wind Load	12.0	8.5	6.4	15.8	12.0	9.9

NOTES:

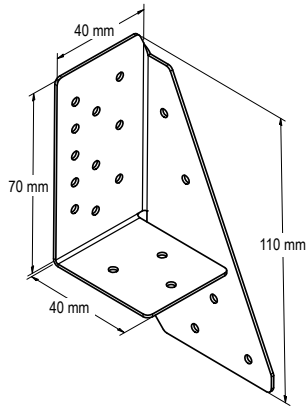
1. Design capacities in Table 18 are for VUETRADE 30mm x 2.8mm Ø Galvanised Connector Plate Nails only. Design capacities are determined based on the number of nails in each Split Joist Hanger.
2. Modification factors k1 for different load cases are adopted from ASI7201-2010.
3. Design capacities in the Table 18 are based on Category 1 joints where it is applicable for failures that would be unlikely to affect an area of greater than 25m². For Category 2 and Category 3 joints, design capacities from the table are multiplied by 0.941 and 0.882 respectively.
4. Split Joist Hanger capacities are capped at 15.8kN for steel failure.
5. VUETRADE strongly recommends all timber connector products are installed as per the installation instructions on the relevant Technical Data Sheet, using the recommended type and quantity of fasteners.
6. It is critical to confirm that any fastening method is in accordance with local building standards. For further information on installation options, refer to the VUETRADE Technical Guidelines on Fastening Methods.



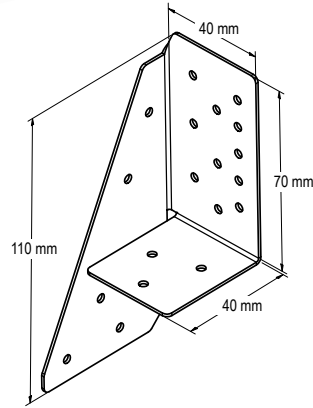
GALVANISED TRIPLE GRIPS



VTTGLH



VTTGRH



APPLICATION

VUETRADE Galvanised Triple Grips are used in nail fixed timber joints, mainly for ones that are perpendicular to each other.

SPECIFICATION

VUETRADE Galvanised Triple Grip are manufactured from G300 Z275 galvanised steel in 1.0mm thickness.

FASTENERS

Nails: Use only VUETRADE 30mm x 2.8mm \emptyset Galvanised Connector Plate Nails

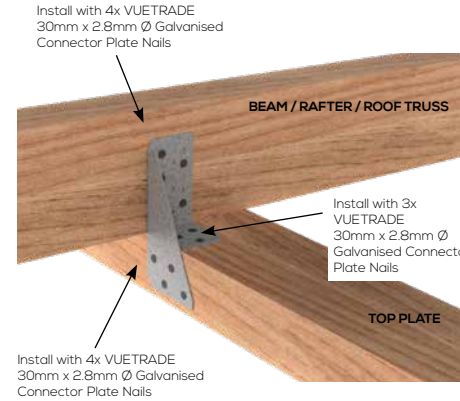
Recommended numbers of nails per bracket / joint are showed in the next section.

Note: Triple grips shall only be hand driven, usage of nail guns and machine-driven nails is strictly NOT recommended.

SIZES

Product Code	Description	Box Qty
VTTGLH	Left Hand	100
VTTGRH	Right Hand	100

INSTALLATION GUIDE



1. Use only VUETRADE 30mm x 2.8mm \emptyset Galvanised Connector Plate Nails when installing Galvanised Triple Grips.
2. Install nails through designated holes, do not drive nails through sheet material.
3. Usage of stainless steel nails with Galvanised Triple Grips may result in bimetallic corrosion which will reduce the grip design capacity.



DESIGN CAPACITY DATA

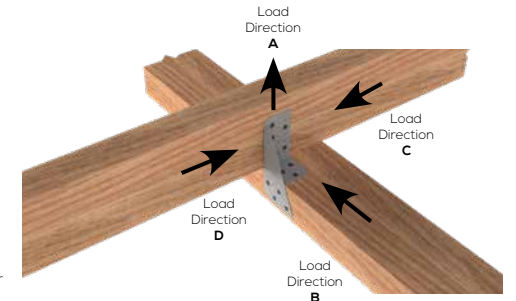


Table 19: Design Capacity for dead loads

Load Directions	Design Capacity for Timber Joint Groups, kN					
	J3	J4	J5	JD3	JD4	JD5
A	15	11	0.8	2.2	15	13
B	2.7	1.9	1.4	3.8	2.7	2.2
C/D	15	11	0.8	2.2	15	13

Table 20: Design Capacity for wind uplifts

Load Directions	Design Capacity for Timber Joint Groups, kN					
	J3	J4	J5	JD3	JD4	JD5
A	3.1	2.2	1.7	4.3	3.1	2.5
B	5.4	3.8	2.9	7.6	5.4	4.4
C/D	3.1	2.2	1.7	4.3	3.1	2.5

NOTES:

1. Modification factors k_1 for different load cases are adopted from AS1720.1-2010.
2. Design capacities in the Table 19 & Table 20 are based on Category 1 joints where it is applicable for failures that would be unlikely to affect an area of greater than 25m². For Category 2 and Category 3 joints, design capacities from the table are multiplied by 0.941 and 0.882 respectively.
3. Design capacity for different load directions is shown in diagram above
4. To achieve greater design capacity, two Triple Grips may be used for a connection or more nails may be installed into the pre-bored holes.

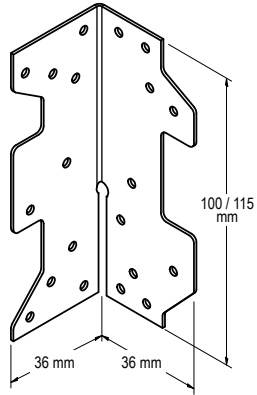




Timber Connectors Compliance Data



GALVANISED MULTI GRIPS



APPLICATION

VUETRADE Galvanised Multi Grips are general purpose timber framing brackets used for joining timber members at right angles. These brackets can be used on pergolas, timber rails, fences and general joinery fit out.

SPECIFICATION

VUETRADE Galvanised Multi Grips are manufactured from G300 Z275 galvanised steel in 1.0mm thickness.

FASTENERS

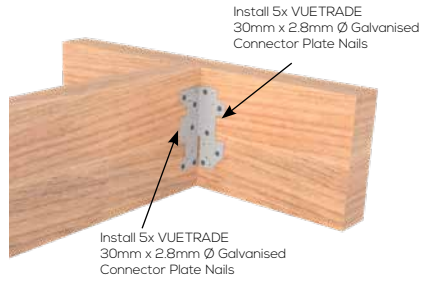
Nails: Use only VUETRADE 30mm x 2.8mm Ø Galvanised Connector Plate Nails

SIZES

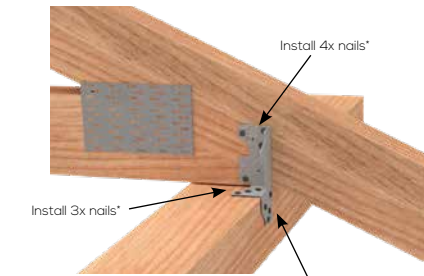
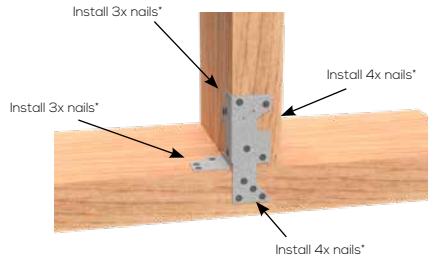
Product Code	Length (mm)	Box Qty
VTMG100	100	200
VTMG115	115	100

INSTALLATION GUIDE

LOADING TYPE A (used as a pair)



LOADING TYPE B



* Use only VUETRADE 30mm x 2.8mm Ø Galvanised Connector Plate Nails.



DESIGN CAPACITY DATA

Load ratings stated below are for when installed as a pair.

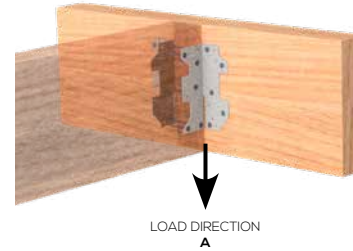


Table 21: Multi Grip Design Capacity Table – Load Direction A (used in pairs)

Load Direction	Design Capacity for Timber Joint Groups, kN					
	J3	J4	J5	JD3	JD4	JD5
Dead Load, 1.35G	3.6	2.6	1.9	5.0	3.6	3.0
Dead & Roof Live Loads, 1.2G+1.5Qr	4.4	3.1	2.3	6.2	4.4	3.6
Wind Uplift	7.3	5.1	3.9	10.2	7.3	6.0

Timber Connectors Compliance Data

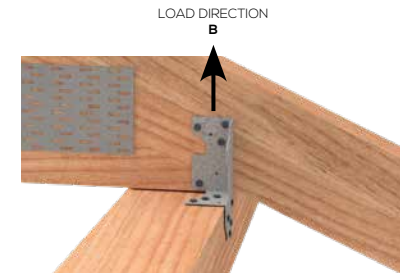
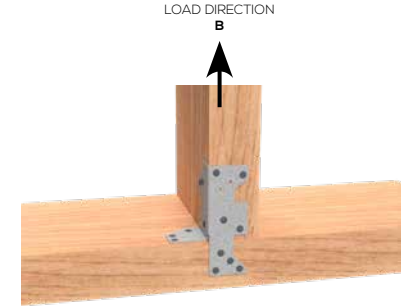


Table 22: Multi Grip Design Capacity Table – Load Direction B

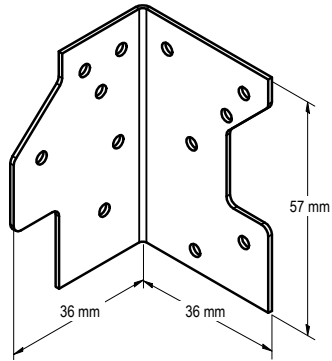
Load Direction	Design Capacity for Timber Joint Groups, kN					
	J3	J4	J5	JD3	JD4	JD5
Wind Uplift	3.1	2.2	1.7	4.3	3.1	2.5

NOTES:

- Design capacities in Table 21 and Table 22 apply to all sizes of VUETRADE Galvanised Multi Grips, minimum recommended nail fixings are detailed in the fixing guide section.
- To achieve greater design capacity, more nails may be installed into the pre-bored holes. NEVER punch nails through sheet metal as it may result in weaker, non-compliant connections.
- Capacity for load direction B can be doubled up with double the amount of Multi Grip used.
- Design capacities in Table 21 and Table 22 are based on Category 1 joints where it is applicable for failures that would be unlikely to affect an area of greater than 25m². For Category 2 and Category 3 joints, design capacities from the table are multiplied by 0.941 and 0.882 respectively.



GALVANISED MINI GRIPS



APPLICATION

VUETRADE Galvanised Mini Grips are a general purpose timber framing bracket used for joining timber members at right angles. These brackets can be used on pergolas, timber rails, fences and general joinery fit out.

SPECIFICATION

VUETRADE Galvanised Mini Grips are manufactured from G300 Z275 galvanised steel in 1.0mm thickness.

FASTENERS

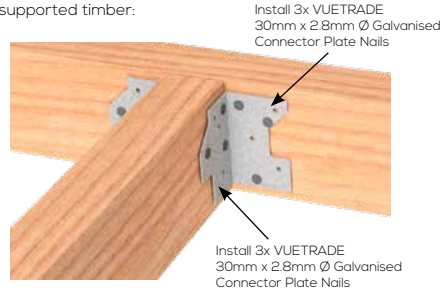
Nails: Use only VUETRADE 30mm x 2.8mm Ø Galvanised Connector Plate Nails

SIZE

Product Code	Length (mm)	Box Qty
VTMG57	57	200

INSTALLATION GUIDE

For each side of the supported timber:



DESIGN CAPACITY DATA

Load ratings stated below are for when installed as a pair.

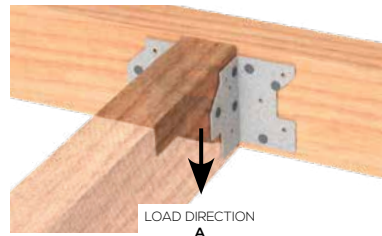


Table 23: Mini Grip Design Capacity Table – Load Direction A [used in pairs]

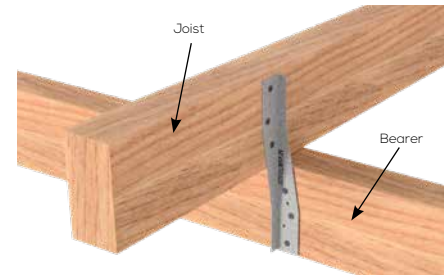
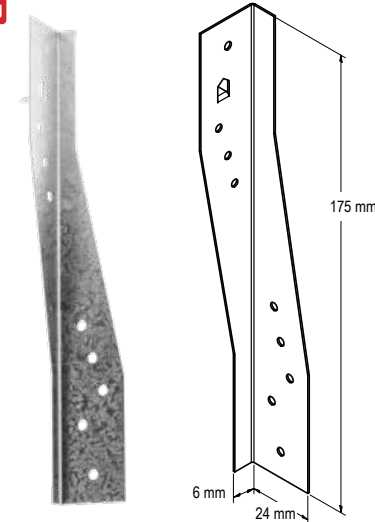
Load Direction	Design Capacity for Timber Joint Groups, kN					
	J3	J4	J5	JD3	JD4	JD5
Dead Load, 1.35G	2.3	1.6	1.2	3.2	2.3	1.9
Dead & Roof Live Loads, 1.2G+1.5Qr	2.8	2.0	1.5	3.9	2.8	2.3
Wind Uplift	4.6	3.3	2.5	6.5	4.6	3.8

NOTES:

- Design capacities in Table 23 apply when the minimum recommended nail fixings are fixed, as detailed in the installation guide section.
- To achieve greater design capacity, more nails may be installed into the pre-bored holes. NEVER punch nails through sheet metal as it may result in weaker, non-compliant connections.
- Design capacities in Table 23 are based on Category 1 joints where it is applicable for failures that would be unlikely to affect an area of greater than 25m². For Category 2 and Category 3 joints, design capacities from the table are multiplied by 0.941 and 0.882 respectively.



GALVANISED JOIST STRAPS



APPLICATION

VUETRADE Galvanised Joist Straps are simple connectors for fixing ceiling joists to hanging beams and rafters to beams at right angles, with VUESPIKES for easy positioning before fixing.

SPECIFICATION

VUETRADE Galvanised Joist Straps are Australian Made and manufactured using G300 Z275 galvanised steel in 0.6mm thickness.

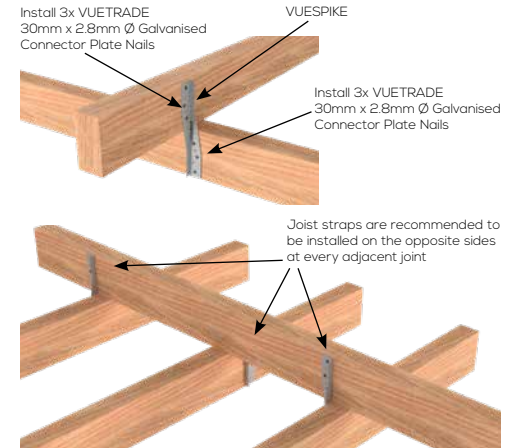
FASTENERS

Nails: Use only VUETRADE 30mm x 2.8mm Ø Galvanised Connector Plate Nails

SIZE

Product Code	Size (mm)	Box Qty
VTJS150	175mm	150

INSTALLATION GUIDE



1. Position VUETRADE Galvanised Joist Straps and drive VUESPIKE into place for ease of positioning.

2. Drive VUETRADE 30mm x 2.8mm Ø Galvanised Connector Plate Nails into both timber members, using 3 nails per end.

3. Design capacity of Joist Strap will increase with more nails installed through pre-bored holes. Do not punch through sheet material as it will result in a weaker and non-compliant connection. For more information about specific design load capacities please contact VUETRADE.

DESIGN CAPACITY DATA

Table 24: Joist Strap design capacity data

Load Case	Design Capacity for Timber Joint Groups, kN					
	J3	J4	J5	JD3	JD4	JD5
DL	1.2	0.8	0.6	1.6	1.2	1.0
DL + FLL	1.4	1.0	0.7	2.0	1.4	1.2
DL + RLL	1.6	1.1	0.8	2.2	1.6	1.3
Wind Uplift	2.3	1.6	1.2	3.2	2.3	1.9

NOTES:

- Design capacities in Table 24 are based on installing 3 nails on each end of the Joist Strap using VUETRADE 30mm x 2.8mm Ø Galvanised Connector Plate Nails only.
- Modification factors k1 for different load cases are adopted from AS17201-2010.
- Design capacities in the Table 24 are based on Category 1 joints where it is applicable for failures that would be unlikely to affect an area of greater than 25m². For Category 2 and Category 3 joints, design capacities from the table are multiplied by 0.941 and 0.882 respectively.



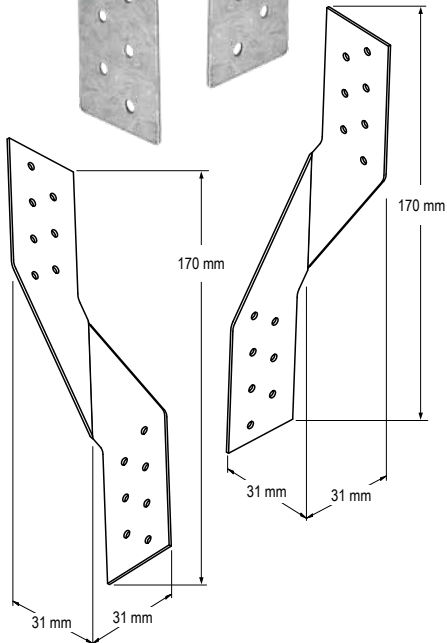


**GALVANISED
HEAVY DUTY JOIST STRAPS**



VTHDJL

VTHDJR



APPLICATION

VUETRADE Heavy Duty Joist Straps are a quick and effective solution for fixing ceiling joists to hanging beams, rafters to beams, and floor joists to bearers.

SPECIFICATION

VUETRADE Heavy Duty Joist Straps are manufactured from G300 Z275 galvanised steel in 1.0 mm thickness. Dimensions are available below.

FASTENERS

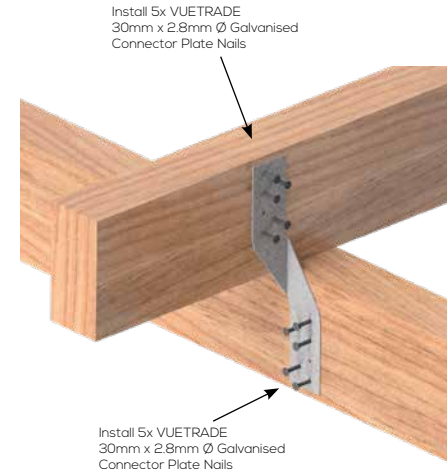
Nails: Use only VUETRADE 30mm x 2.8mm Ø Galvanised Connector Plate Nails

SIZES

Product Code	Nominal Size (mm)	Thickness (mm)	Description
VTHDJL	31 x 170mm	1.0	Left Hand
VTHDJR	31 x 170mm	1.0	Right Hand



INSTALLATION GUIDE



- To achieve the design capacity as tabulated in Table 25, it is recommended that a minimum of 5x VUETRADE 30mm x 2.8mm Ø Galvanised Connector Plate Nails are used in each leg of the Heavy Duty Joist Strap.



DESIGN CAPACITY

Table 25: VUETRADE Heavy Duty Joist Straps design capacity data

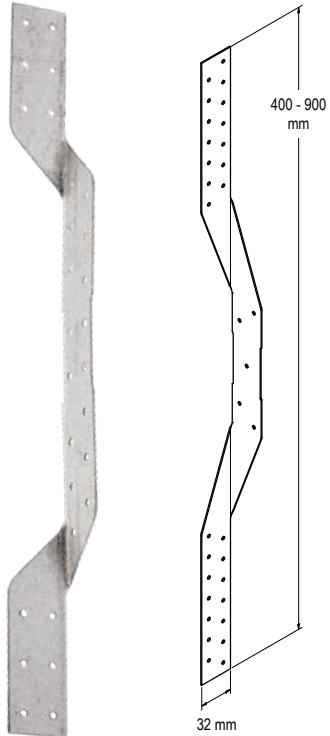
Load Directions	Design Capacity for Timber Joint Groups, kN					
	J3	J4	J5	JD3	JD4	JD5
Dead Load, 1.35G	1.7	1.2	0.9	2.5	1.8	1.4
Dead & Floor Live Loads 1.2G+1.5Qf	2.1	1.4	1.1	3.0	2.2	1.8
Dead & Roof Live Loads 1.2G+1.5Qr	2.3	1.6	1.2	3.4	2.4	2.0
Wind Uplift	3.4	2.4	1.8	5.0	3.6	2.9

NOTES:

- Design capacities in Table 25 are based on installing 5x VUETRADE 30mm x 2.8mm Ø Galvanised Connector Plate Nails on each end of the Heavy Duty Joist Strap only.
- For added strength, additional nails may be installed into pre-bored holes located at the lower leg of the Heavy Duty Joist Strap. NEVER punch nails through sheet metal as it may result in weaker, non-compliant connections.
- Modification factors k1 for different load cases are adopted from AS17201-2010.
- Design capacities in Table 25 are based on Category 1 joints where it is applicable for failures that would be unlikely to affect an area of greater than 25m². For Category 2 and Category 3 joints, design capacities from the table are multiplied by 0.941 and 0.882 respectively.
- Design capacities can be doubled by utilising VUETRADE Heavy Duty Joist Straps as a pair (left and right hand) for a single joint.



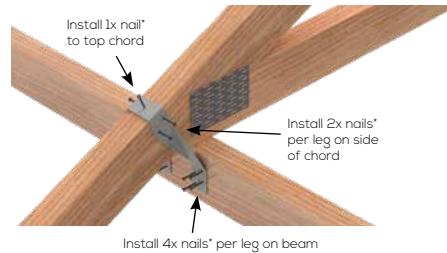
GALVANISED CYCLONE STRAPS



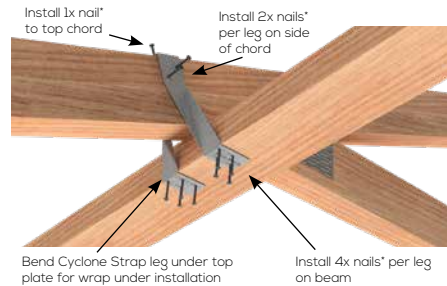
INSTALLATION AND NAILING SCHEDULE

Use recommended number of nails in Table 26 to achieve its respective design capacities.

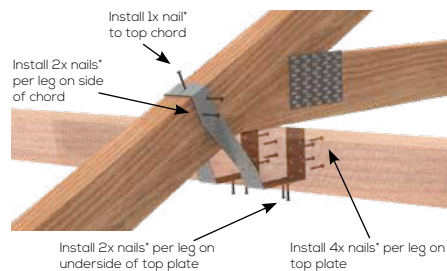
FACE FIXED



WRAP UNDER FIXING



WRAP UNDER & OVER FIXING



* Use only VUETRADE 30mm x 2.8mm Ø Galvanised Connector Plate Nails for fastening Cyclone Straps.

APPLICATION

VUETRADE Cyclone Straps are used for tying down purlins and trusses to wall frames in cyclonic & high wind areas.

SPECIFICATION

VUETRADE Cyclone Straps are manufactured from G300 Z275 galvanised steel in 1.0mm thickness (TCT).

FASTENERS

Nails: Use only VUETRADE 30mm x 2.8mm Ø Galvanised Connector Plate Nails

SIZES

Product Code	Length	Box Qty
VTCS400	400mm	100
VTCS600	600mm	100
VTCS900	900mm	100



DESIGN CAPACITY DATA

Table 26: Cyclone Strap design capacities for Face Fixed Installation

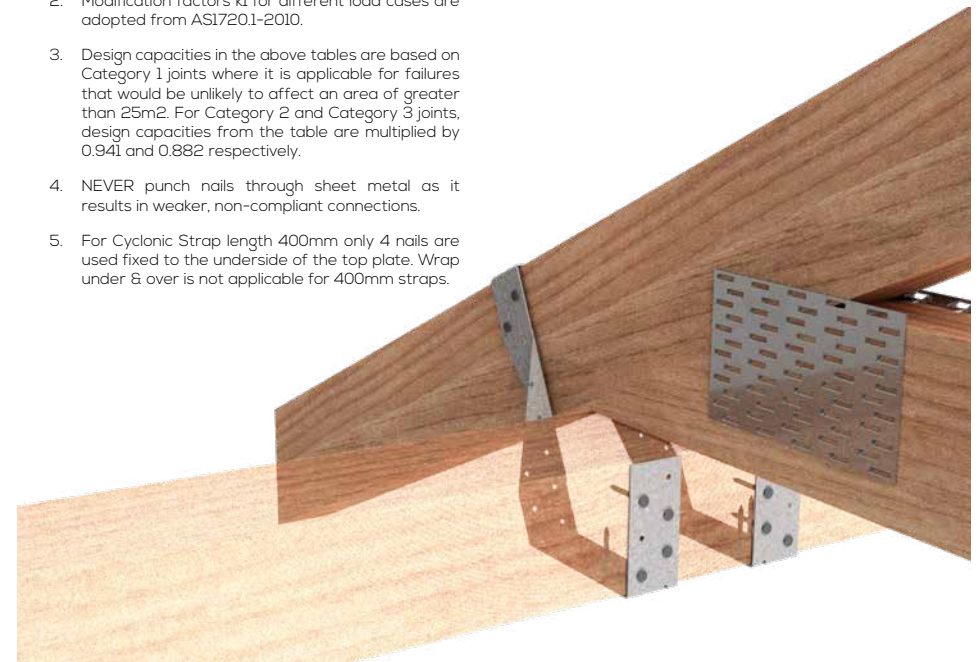
Product length	Nails per leg	Design Capacity for Timber Joint Groups, kN					
		J3	J4	J5	JD3	JD4	JD5
All lengths	2	3.1	2.2	1.7	4.3	3.1	2.5
All lengths	4	6.2	4.4	3.3	8.7	6.2	5.1
600mm & 900mm	6	8.2	5.8	4.4	9.5	8.6	7.1
600mm & 900mm	8	9.5	7.3	5.5	9.5	9.5	9.3
600mm & 900mm	14	9.5	9.5	9.0	9.5	9.5	9.5

Table 27: Cyclone Strap design capacities for Wrap Under and Wrap Under & Over Installations

Product length	Nails per leg	Design Capacity for Timber Joint Groups, kN					
		J3	J4	J5	JD3	JD4	JD5
All lengths	6 (see note 5)	9.5	9.5	9.5	9.5	9.5	9.5

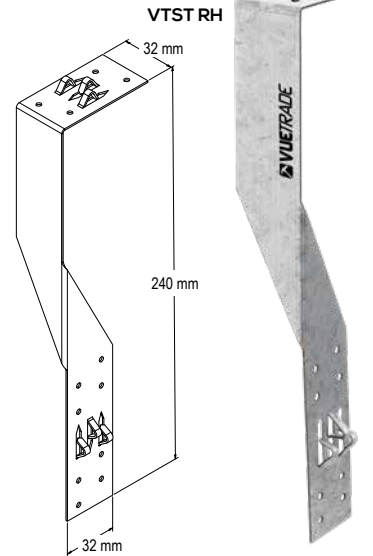
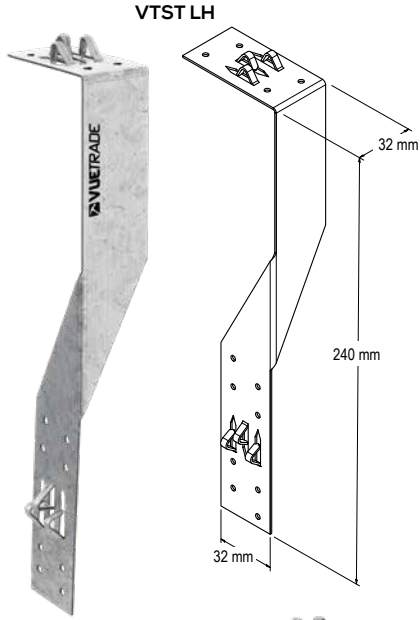
NOTE:

- Values in Table 26 and Table 27 use VUETRADE 30mm x 2.8mm Ø Galvanised Connector Plate Nails only. Values that exceed 9.5kN are limited to the strength of G300 Z275 galvanised steel.
- Modification factors k1 for different load cases are adopted from AS1720.1-2010.
- Design capacities in the above tables are based on Category 1 joints where it is applicable for failures that would be unlikely to affect an area of greater than 25m². For Category 2 and Category 3 joints, design capacities from the table are multiplied by 0.941 and 0.882 respectively.
- NEVER punch nails through sheet metal as it results in weaker, non-compliant connections.
- For Cyclonic Strap length 400mm only 4 nails are used fixed to the underside of the top plate. Wrap under & over is not applicable for 400mm straps.





GALVANISED SINGLE SIDED STUD TIES



APPLICATION

VUETRADE Single Sided Stud Ties are used for fastening top and bottom wall plates to studs in high wind areas.

SPECIFICATION

VUETRADE Single Sided Stud Ties are manufactured using G300 Z275 Galvanised Steel.

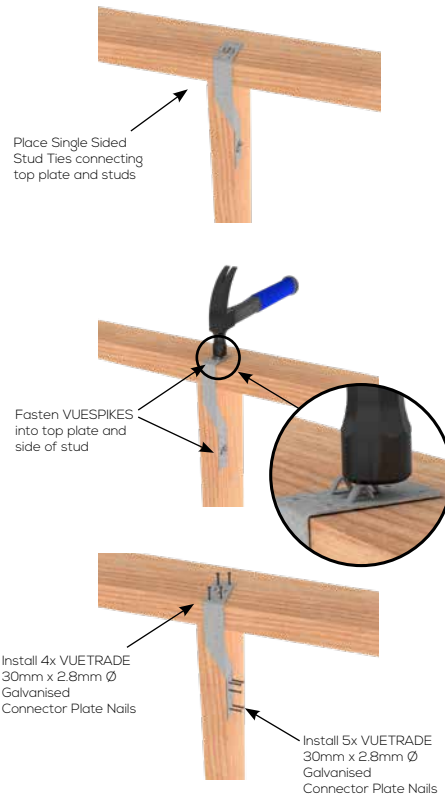
FASTENERS

Nails: Use only VUETRADE 30mm x 2.8mm Ø Galvanised Connector Plate Nails

SIZES

Product Code	Nominal Size (mm)	Box Qty
VTSTLH	240 x 60 x 32	75
VTSTRH	240 x 60 x 32	75

INSTALLATION GUIDE



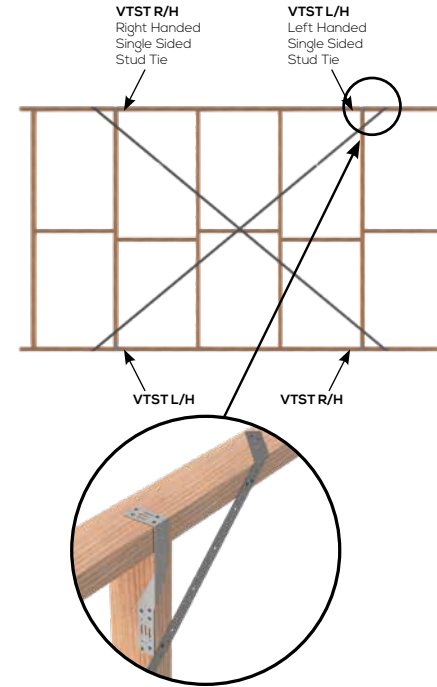
DESIGN CAPACITY

Table 28: Design capacity data for Single Sided Stud Ties

Load Case	Design Capacity for Timber Joint Groups, kN					
	J3	J4	J5	JD3	JD4	JD5
Wind Uplift	3.4	2.4	1.8	5.0	3.6	2.9

NOTES:

- Design capacities in Table 28 are based on installation of Single Sided Stud Ties with 5 nails on side stud and 4 nails on top plates using VUETRADE 30mm x 2.8mm Ø Galvanised Connector Plate Nails only.
- Modification factors k1 for different load cases are adopted from AS1720.1-2010.
- Design capacities in Table 28 are based on Category 1 joints where it is applicable for failures that would be unlikely to affect an area of greater than 25m². For Category 2 and Category 3 joints, design capacities from the table are multiplied by 0.941 and 0.882 respectively.
- Design capacity of Single Sided Stud Ties may be increased with more nails installed through pre-bored holes. Do not punch through sheet material as it will result in a weaker and non-compliant connection.



NOTES:

- Use only VUETRADE 30mm x 2.8mm Ø Galvanised Connector Plate Nails when installing Single Sided Stud Ties. Install only through pre-bored holes, do not drive nails through Stud Ties sheet metal as it will result in a weaker and non-compliant joint.
- Fixing of Single Sided Stud Ties shall be on the same face as the bracing and/or same face of truss fixing.

VUETRADE Single Sided Stud Ties can be used as an alternative fixing method for wall bracing in accordance with AS1684. Refer to AS1684.2:2021 and AS1684.3:2021 for more bracing details.

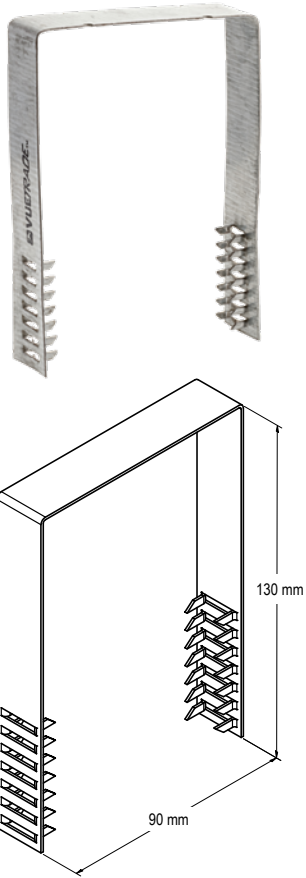




Timber Connectors Compliance Data



GALVANISED STUD TIES



APPLICATION

VUETRADE Stud Ties are used for fastening top and bottom wall plates to studs in high wind areas.

SPECIFICATION

VUETRADE Stud Ties are manufactured using G300 Z275 Galvanised Steel.

FASTENERS

Use only built-in VUESPIKES for ease of installation.

SIZE

Product Code	Nominal Size (mm)	Box Qty
VTST4U90	130 x 90	50

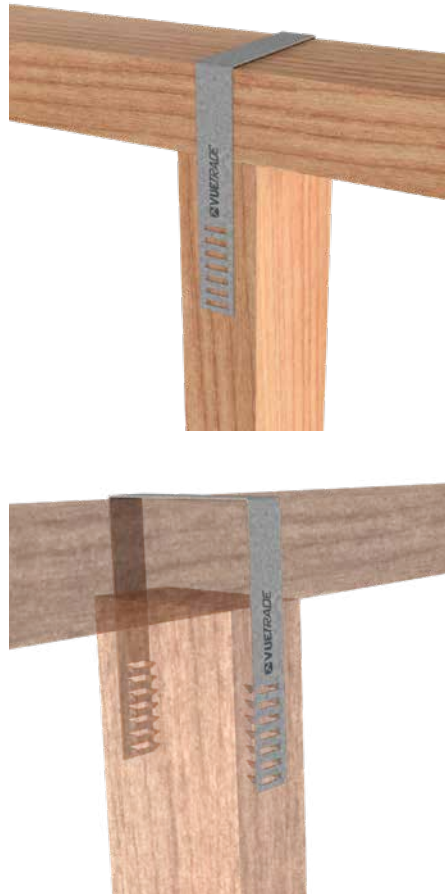
DESIGN CAPACITY

Table 29: Design capacity data for Stud Ties

Load Direction	Design Capacity
Wind Uplift	3.51 kN

NOTES:

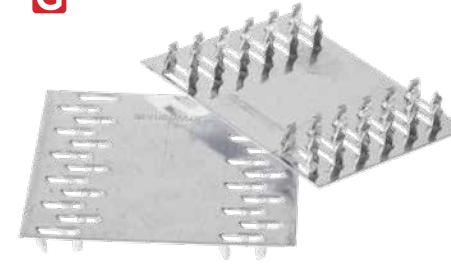
1. Design Capacities in Table 29 are strictly for wind uplifts only and obtained under test conditions.
2. Design Capacity obtained in Table 29 is for JD4 timber joint group.
3. Only VUESPIKES are installed to achieve the design capacity. No additional nails are used.



Timber Connectors Compliance Data



GALVANISED STRAP NAILS



APPLICATION

VUETRADE Strap Nails designed for quick joining of timber frames by using a hammer.

SPECIFICATION

VUETRADE Stud Ties are manufactured using G300 Z275 Galvanised Steel.

FASTENERS

Use only built-in VUESPIKES for ease of installation.

SIZES

Product Code	Size (mm)	Box Qty
VTSN2590	25 x 90mm	100
VTSN5090	50 x 90mm	100
VTSN7590	75 x 90mm	100

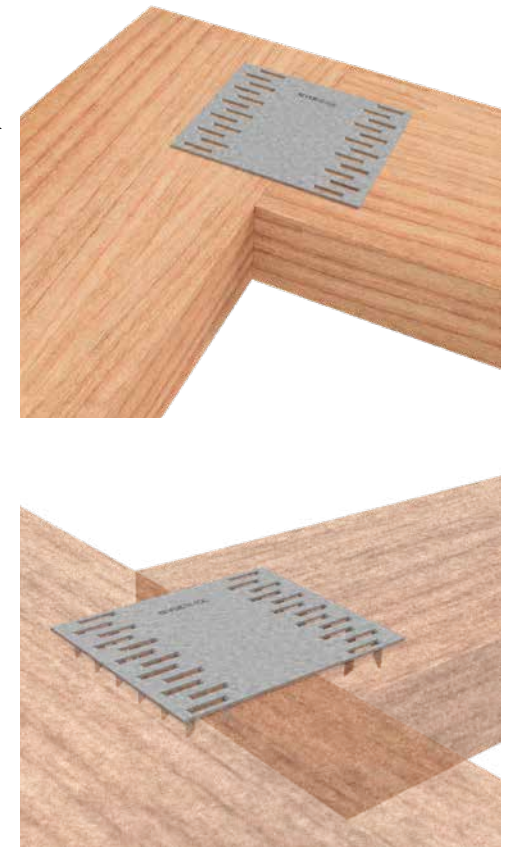
DESIGN CAPACITY

Table 30: Design capacity data for Strap Nails for Timber Joint Group JD4

Strap Nail Size	Maximum Load (kN) for one Strap Nail
25 x 90mm	1.3
50 x 90mm	2.7
75 x 90mm	4.1

NOTE:

Design capacities in Table 30 are obtained under test conditions.

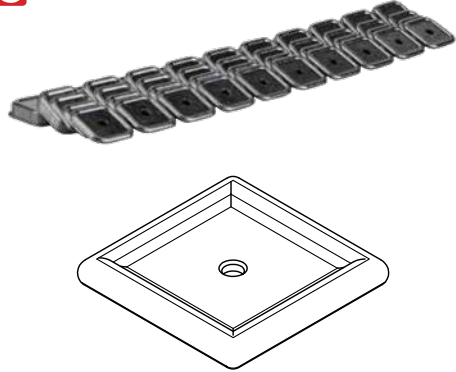




Timber Connectors Compliance Data



GALVANISED INSUL FIX FASTENERS



APPLICATION

VUETRADE Insul Fix Fasteners are designed to be tear resistant with a wide size and rounded edges. These features greatly reduce the tendency of the foil to tear in windy conditions.

SPECIFICATION

VUETRADE Insul Fix Fasteners are manufactured using G300 Z275 zinc galvanised steel. They come in an easily separable strip of 10.

FASTENERS

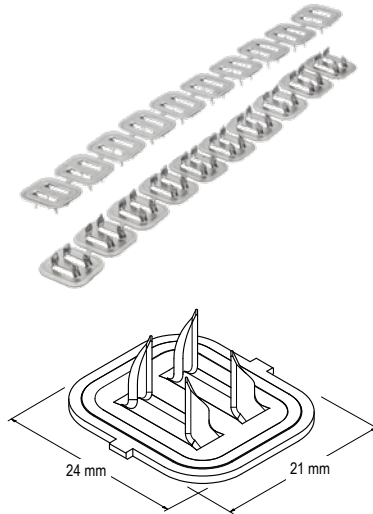
Nails: Use only VUETRADE 30mm x 2.8mm Ø Galvanised Connector Plate Nails

SIZES

Product Code	Box Qty
F81006	500



GALVANISED FOIL TACKS



APPLICATION

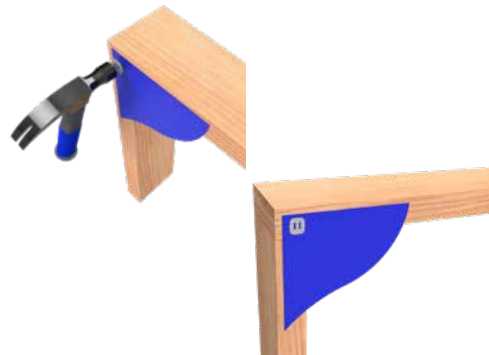
VUETRADE Foil Tacks are designed to be tear resistant with a wide size and rounded edges. These features greatly reduce the tendency of the foil to tear in windy conditions. The twisted nail profile allows excellent penetration and holding power in all timber types and specifications.

SPECIFICATION

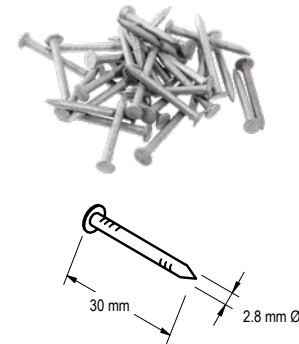
VUETRADE Foil Tacks are manufactured using G300 Z275 zinc galvanised steel with a thickness of 0.8mm. They come in an easily separable strip of 10.

SIZES

Product Code	Box Qty	Pallet Qty
VTFT	500	240



GALVANISED CONNECTOR PLATE NAILS



APPLICATION

VUETRADE Galvanised Connector Plate Nails are specially engineered and designed for VUETRADE Timber Connector Products to achieve the specified design capacity in their respective technical data sheets.

SPECIFICATION

VUETRADE Galvanised Connector Plate Nails are manufactured using cold drawn, low carbon steel which is then hot dipped galvanised for corrosion protection.

VUETRADE Galvanised Connector Plate Nails are suitable for all framing purposes where nail fixing is required as required by the framing code AS1684.2:2021 / AS1684.3:2021 / AS1684.4-2010.

PRODUCT RANGE

Product Code	Weight	Approx. Number of Nails
VTCPNG3028500	500 g	260
VTCPNG30282	2 kg	1040
VTCPNG30285	5 kg	2600

FIXING DETAILS

VUETRADE Galvanised Connector Plate Nails can be used with all VUETRADE timber connector products where 30mm x 2.8mm Ø galvanised nail fixings are required.

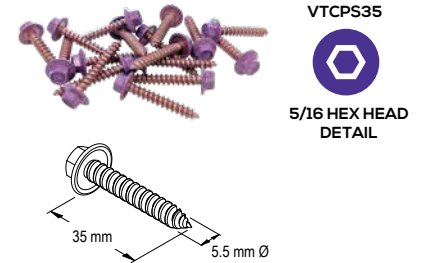
Refer to individual product's Technical Data Sheet for specific fixing details.

Usage of Galvanised Connector Plate Nails with stainless steel VUETRADE products may result in bimetallic corrosion which will reduce their design capacities.

Timber Connectors Compliance Data



GALVANISED CONNECTOR PLATE SCREWS



APPLICATION

VUETRADE Galvanised Connector Plate Screws are specially engineered and designed to suit VUETRADE timber framing connectors. Usage of screws with VUETRADE connector products are only permitted whenever specified in VUETRADE Technical Data Sheets.

SPECIFICATION

VUETRADE Galvanised Connector Plate Screws are manufactured with Grade 4.6 mild steel and corrosion protected with Bronze Nano KTCO Coating. The screw comes in 35mm length, 12 gauge size, and features a Type 17 drill point for self-drilling capability into timber and/or thin steel sheets.

- VUETRADE Galvanised Connector Plate Screws must only be used with compatible VUETRADE connector products whenever specified. Refer to specific VUETRADE product TDS for information on screw usage.

- Screws when installed and used with VUETRADE connector products have design capacities conforming to relevant Australian Standards, Building Code of Australia and VUETRADE test data.

- Design data of VUETRADE Connector products is applicable when specified, designed, and installed with VUETRADE Galvanised Connector Plate Screws.

PRODUCT RANGE

Product Code	Screw Length	Pack Size
VTCPS35-100	35 mm	100
VTCPS35-250	35 mm	250

FIXING DETAILS

VUETRADE Galvanised Connector Plate Screws can be used with VUETRADE timber connector products where Type 17 12g x 35mm screws are listed as an appropriate fastening method.

Refer to individual product's Technical Data Sheet for specific fixing details. Usage of screws must strictly adhere to the installation guides specified in the relevant product TDS. Non-compliant fixing of VUETRADE connector plate screws and/or VUETRADE connector products could potentially result in product strength compromise and premature failure.



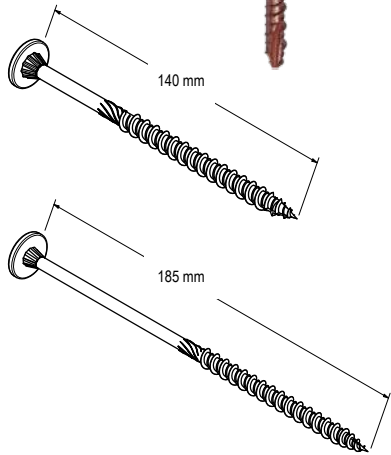
Timber Connectors Compliance Data

GALVANISED VUEFIX STUD-SMART SCREWS



ST140

ST185



APPLICATION

VUEFIX Stud-Smart Screws are a quick and easy method to connect wall top plates to studs. Available in two sizes for use with single or double top plates.

VUEFIX Stud-Smart Screws can also be used as an alternative connection to many top plates to stud connections while also providing higher connection capacity than traditional connections like stud ties. Stud screws may also be used as an alternative top plate-to-stud tie down for structural wall bracing.

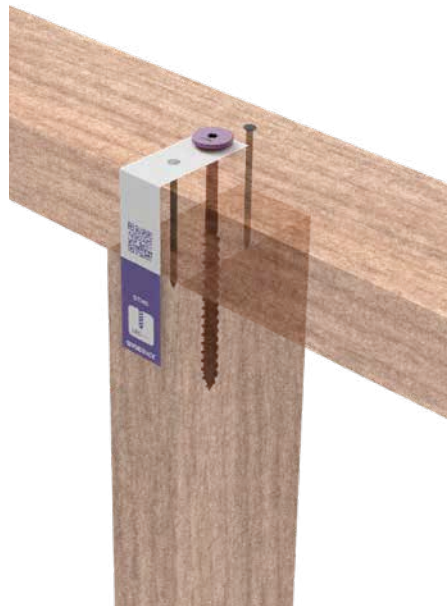
SPECIFICATION

VUEFIX Galvanised Stud-Smart Screws are coated in Bronze Nano KTCO Coating for additional corrosion protection. They have a T40 head for convenient installation.

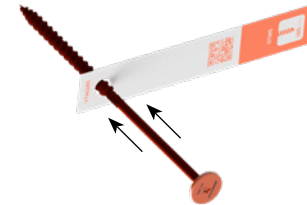
For easier building inspection, two weatherproof tags are also available: VTAG140 & VTAG185.

SIZES

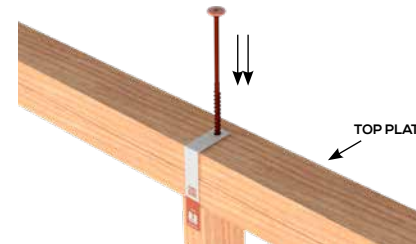
Product Code	Length	Head Colour	Box Qty
ST140	140 mm	Purple	50 / 250
ST185	185 mm	Orange	50 / 250



INSTALLATION GUIDE



- Place the designated weatherproof VUEFIX Stud-Smart label through screw for easy identification. Ensure that tags VTAG140 (orange tag) to only be used with the 140mm stud screw, and VTAG185 (purple tag) to only be used with the 185mm stud screws.



- Install screw straight and vertically using a T40 drive bit through the centreline of top plate into stud. Continue until the head is flush with the top plate, and do not overdrive.

Timber Connectors Compliance Data

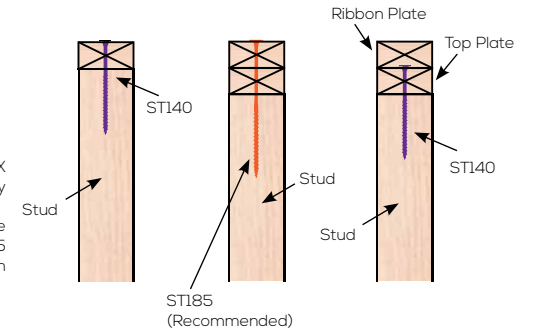


RECOMMENDED TOP PLATE-TO-STUD CONNECTIONS

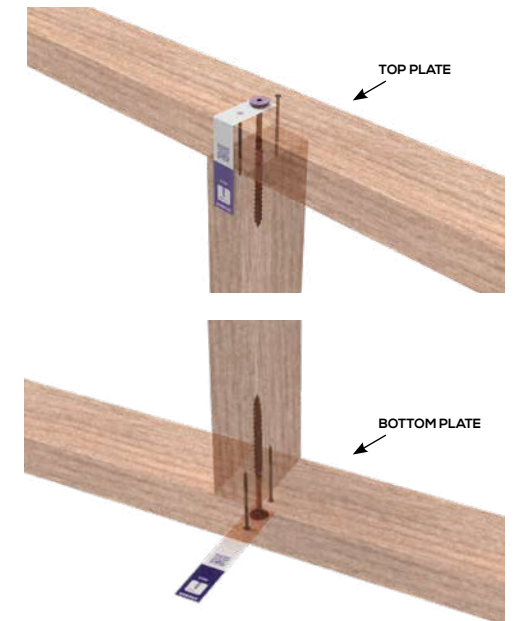
Single Top Plate
35mm or 45mm

Double Top Plate
2x 35mm or 2x 45mm

Ribbon Plate



Note: Refer to AS1684.2 and AS1684.3 clause 2.5 and clause 9.2.8 for nail-lamination of multiple wall plates. (Double top plates / Ribbon plates)





Timber Connectors Compliance Data



DESIGN CAPACITY DATA

Table 31: ST140 used on a Single Top Plate

Stud Screw	Design Capacity for Timber Joint Groups, kN	
	1x 35mm	1x 45mm
ST140	8.3	8.1

Table 32: ST140 or ST185 used on a Double Top Plate

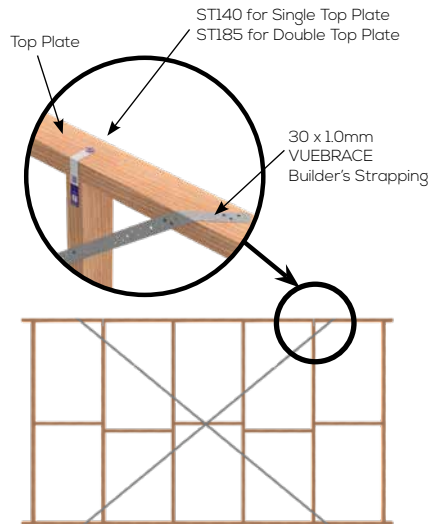
Stud Screw	Design Capacity for Timber Joint Groups, kN	
	2x 35mm	2x 45mm
ST140	4.8	3.6
ST185	8.3	8.1

NOTES:

1. Design capacities in Tables 31 & 32 are obtained under laboratory test conditions using MGPI0, using Timber Joint Group JD4.
2. VUEFIX Stud-Smart Screws shall not be used for truss tie-down.

VUEFIX STUD SCREW AS AN ALTERNATIVE TO STUD TIES IN STRUCTURAL WALL BRACING

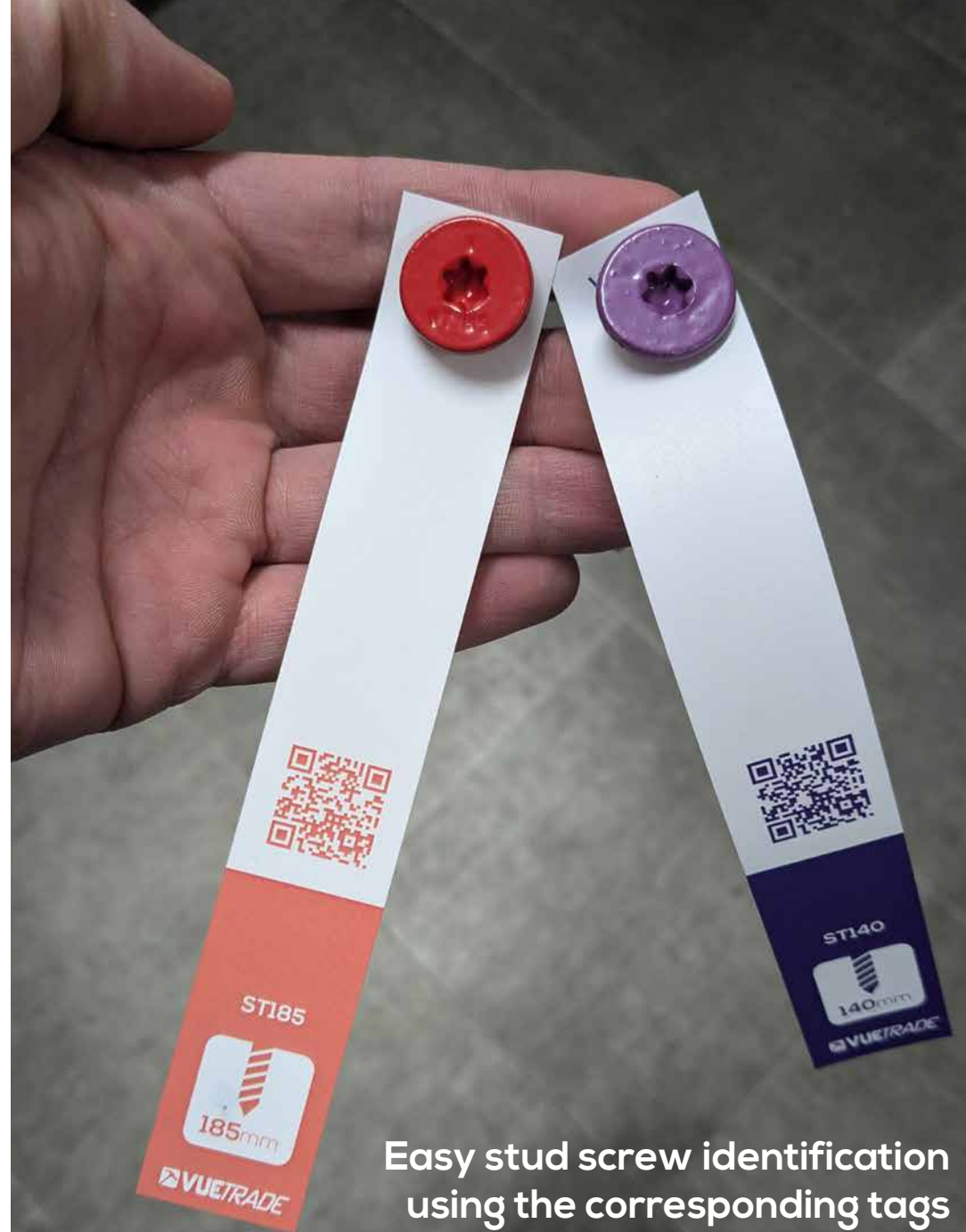
Requirements from AS1684 on Table 8.18(d) where stud ties are required as part of the wall bracing system to achieve bracing capacity of 3.0kN/m, may use VUEFIX Stud-Smart Screws as an alternative solution to stud ties.



AS1684 Table 8.18(d) - Wall bracing with metal straps with stud tie.

NOTES:

1. VUEFIX Stud-Smart Screws are a suitable alternative to stud ties for AS1684 Table 8.18(c) as required for the wall bracing system to achieve bracing capacity of 1.5kN/m.

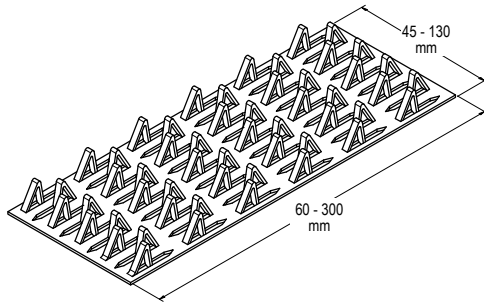


Easy stud screw identification
using the corresponding tags

Scan the QR Codes
to try it for yourself.



GALVANISED TAP IN PLATES



APPLICATION

VUETRADE Galvanised Tap In Plates provide strong and secure joints in various timber connection applications, such as joining various timber wall frames and top plates together, manufacturing trusses and repairing timber ends.

SPECIFICATION

VUETRADE Galvanised Tap In Plates are manufactured in 1.2mm G250 Z275 galvanised steel to wide range of sizes to suit different sizes of timber, with precisely bent 'teeth' as a means of timber fastening.

SIZES

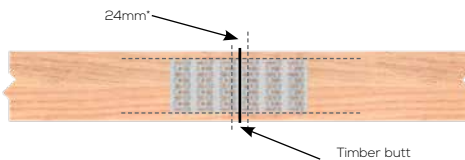
Product Code	Size (mm)	Box Qty	No. of teeth per plate
VTIP45120	45 x 120	100	24
VTIP45180	45 x 180	67	36
VTIP45240	45 x 240	50	48
VTIP7060	70 x 60	100	18
VTIP70120	70 x 120	75	36
VTIP70180	70 x 180	50	54
VTIP70240	70 x 240	38	72
VTIP70300	70 x 300	30	90
VTIP90120	90 x 120	50	48
VTIP90180	90 x 180	34	72
VTIP90240	90 x 240	25	96
VTIP90300	90 x 300	20	120
VTIP130120	130 x 120	30	72
VTIP130180	130 x 180	20	108

INSTALLATION GUIDE

Install VUETRADE Tap In Plate by driving each of the teeth on the Galvanised Tap In Plate into the both timber joint members using a hammer.

For application of butt jointing, ensure that the Tap In Plate are installed with equal length in the timber member (symmetrically) and fix one plate on each face of the timber member.

Hydraulic press may also be used on Tap In Plate for roof trusses manufacturing.



* No nails should be driven within 12mm from timber butt end or within 6mm to the timber edge to reduce risk of timber splitting.



DESIGN CAPACITY DATA

The method of obtaining design capacities for VUETRADE Tap In Plates was derived based on the test method established from Australian Standard AS1649-2001 - Timber - Methods of test for mechanical fasteners and connectors - Basic working loads and characteristic strengths.

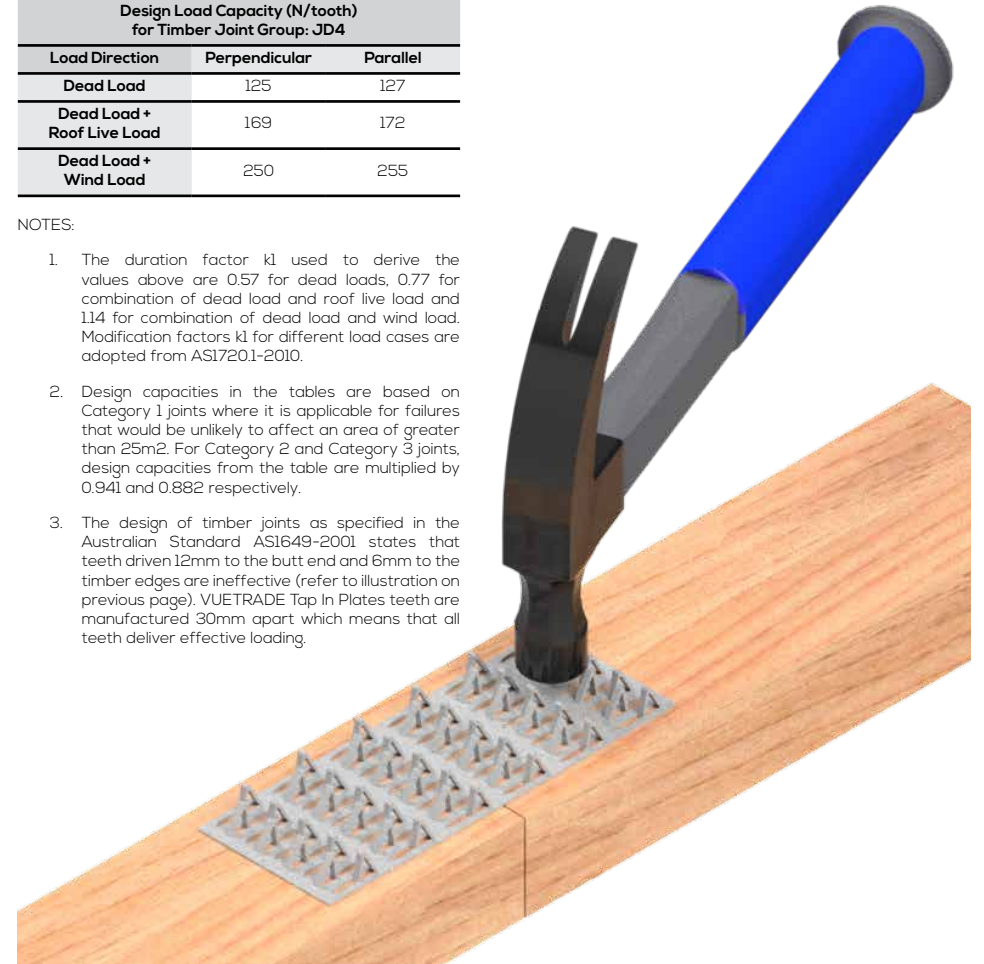
The loads of standard timber joint groups shown in this document are defined based on the Australian Standard AS1720.1-2010 - Timber structures, Part 1: Design methods. Refer to VUETRADE's Timber Properties Technical Data for the classification of joint groups for various timber species.

Table 33: Design capacity data for Tap In Plates

Design Load Capacity (N/tooth) for Timber Joint Group: JD4		
Load Direction	Perpendicular	Parallel
Dead Load	125	127
Dead Load + Roof Live Load	169	172
Dead Load + Wind Load	250	255

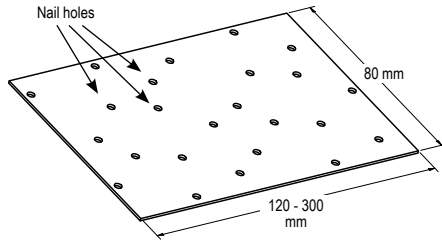
NOTES:

- The duration factor k_1 used to derive the values above are 0.57 for dead loads, 0.77 for combination of dead load and roof live load and 1.14 for combination of dead load and wind load. Modification factors k_1 for different load cases are adopted from AS1720.1-2010.
- Design capacities in the tables are based on Category 1 joints where it is applicable for failures that would be unlikely to affect an area of greater than 25m². For Category 2 and Category 3 joints, design capacities from the table are multiplied by 0.941 and 0.882 respectively.
- The design of timber joints as specified in the Australian Standard AS1649-2001 states that teeth driven 12mm to the butt end and 6mm to the timber edges are ineffective (refer to illustration on previous page). VUETRADE Tap In Plates teeth are manufactured 30mm apart which means that all teeth deliver effective loading.





GALVANISED BEARER PLATES



APPLICATION

VUETRADE Bearer Plates are manufactured as a flat steel plate which are then fixed with flat head nails or screws. The plates are suitable for a range of construction applications such as:

- Joining timber by butting members together (for spliced joint connection Bearer Plates must be used in pairs);
- An alternative for heavy duty connection where a tap in plate will not offer adequate strength;
- Framework repair;
- Member or joint reinforcement works.

SPECIFICATION

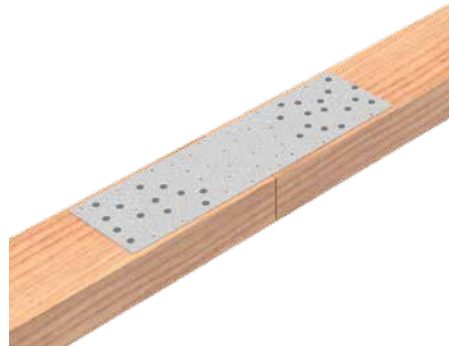
VUETRADE Bearer Plates are manufactured in 10mm G300 Z275 galvanised steel in various lengths.

FASTENERS

Nails: Use only VUETRADE 30mm x 2.8mm Ø Galvanised Connector Plate Nails

SIZES

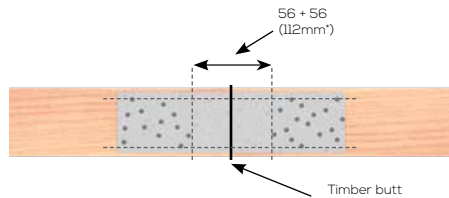
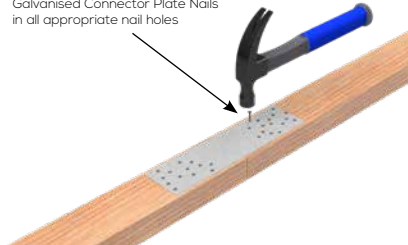
Product Code	Size (mm)	Box Qty	Number of holes per plate
VTBP80120	80 x 120	100	24
VTBP80180	80 x 180	100	36
VTBP80240	80 x 240	50	48
VTBP80300	80 x 300	50	60



INSTALLATION GUIDE

1. Install VUETRADE Bearer Plate to joint by driving VUETRADE 30mm x 2.8mm Ø Galvanised Connector Plate Nails with a hammer.
2. Ensure that nails are driven in all appropriate nail holes to ensure product compliancy and maximum load obtained.
3. Ensure that no nails driven within 56mm of the timber butt end and 14mm to the timber edge.
4. For application of butt jointing, ensure that the Bearer Plates are installed with equal length in the timber member (symmetrically) and fix one plate on each face of the timber member.

Install VUETRADE 30mm x 2.8mm Ø Galvanised Connector Plate Nails in all appropriate nail holes



* No nails should be driven within 56mm from timber butt end or within 14mm to the timber edge to reduce risk of timber splitting.



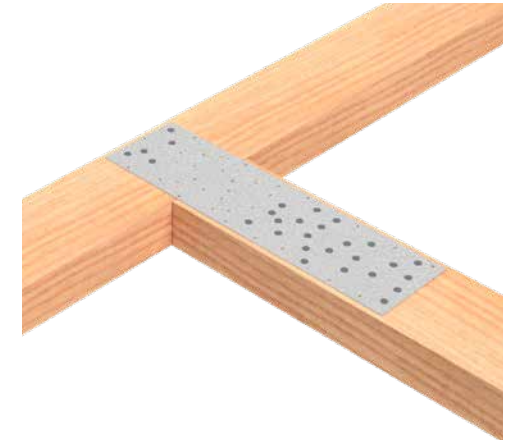
DESIGN CAPACITY DATA

Table 34: Design capacities for a pair of Bearer Plates of 80mm width at various lengths

Length	Type of Load	Design Capacity for Timber Joint Groups, kN					
		J3	J4	J5	JD3	JD4	JD5
120mm	Dead Load						
	Dead Load + Roof Live Load						See note 4(c)
	Dead Load + Wind Load						
180mm	Dead Load	4.6	3.3	2.5	6.5	4.6	3.8
	Dead Load + Roof Live Load	6.3	4.4	3.3	8.8	6.3	5.1
	Dead Load + Wind Load	9.3	6.6	5.0	13	9.3	7.6
240mm	Dead Load	9.8	6.9	5.2	13.7	9.8	8.1
	Dead Load + Roof Live Load	13.3	9.4	7.1	18.6	13.3	10.9
	Dead Load + Wind Load	19.7	13.9	10.5	27.5	19.7	16.1
300mm	Dead Load	12.4	8.8	6.6	17.3	12.4	10.2
	Dead Load + Roof Live Load	16.7	11.8	8.9	23.4	16.7	13.7
	Dead Load + Wind Load	24.8	17.5	13.2	34.6	24.8	20.3

NOTES:

1. Design capacities in Table 34 are for a pair of plates.
2. The duration factor k_1 used to derive the values above are 0.57 for dead loads, 0.77 for combination of dead load and roof live load and 1.14 for combination of dead load and wind load. Modification factor k_1 for different load cases are adopted from AS1720.1-2010.
3. Design capacities in the table are based on Category 1 joints where it is applicable for failures that would be unlikely to affect an area of greater than 25m². For Category 2 and Category 3 joints, design capacities from the table are multiplied by 0.941 and 0.882 respectively.
4. Capacities obtained above are based on the following criteria:
 - a. Nail holes within 56mm from the timber end are not fixed, otherwise all holes must be fixed with VUETRADE 30mm x 2.8mm Ø Galvanised Connector Plate Nails.
 - b. The timber end / edge distance of 56mm / 14mm according to AS1720.1-2010 shall not have any nail fixed to the timber.
 - c. 80x120mm Bearer Plates are not recommended to be used for splice joint connection as it does not meet AS1720.1-2010 end-distance requirements of no nails shall be installed 56mm from the timber end.





GALVANISED FASCIA BRACKET



APPLICATION

VUETRADE Fascia Brackets are commonly used to attach fascia to the rafters and are available in six standard angles.

SPECIFICATION

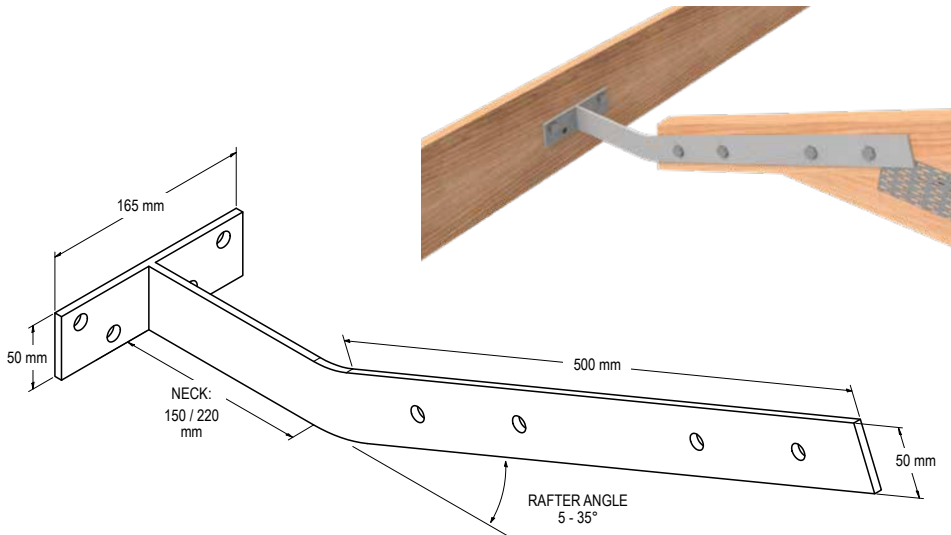
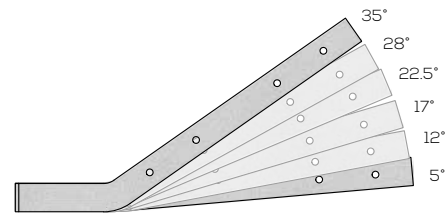
VUETRADE Fascia Brackets are manufactured using 6.5mm G300 steel and Hot-Dipped Galvanised to HDG600.

FASTENERS

- Rafters blade:** 4x appropriate M10 bolts with hex nuts and washers
- Fascia base:** 2x appropriate M10 bolts with hex nuts and washers

SIZES

Product Code	Angle	Neck Length
VTHDFB05	5°	150mm
VTHDFB12	12°	150mm
VTHDFB17	17°	150mm
VTHDFB22	22.5°	150mm
VTHDFB28	28°	150mm
VTHDFB35	35°	150mm
VTHDFB17L	17°	220mm
VTHDFB22L	22.5°	220mm
VTHDFB28L	28°	220mm



INSTALLATION GUIDE AND BOLT FIXING SCHEDULE

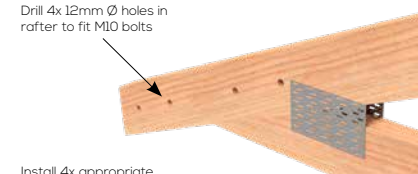
DESIGN CAPACITY DATA

Table 35: Design capacity of Fascia Brackets when secured with 4x bolts

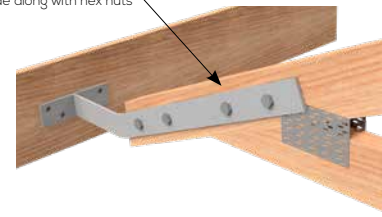
Timber Thickness (mm)	Design Capacity, N _{dj} (kN)		
	JD3	JD4	JD5
35	5.8	4.2	3.1
45	7.4	5.4	3.9

NOTES:

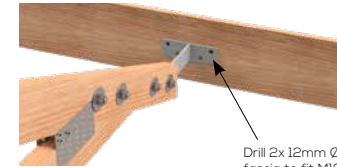
- Design load given in Table 35 are for long-term dead load of 1.35G, with duration of load factor k₁ = 0.57. Duration of load for other load case shall refer to AS1720.1.
- The angle of the fascia brackets does not influence the design capacity of the bolts.
- Overhang of rafter/trusses must be adequately designed for this additional applied load imposed by verandah/ pergola by a structural engineer. Overloaded trusses/rafter may lead to premature failure of the structures.
- Edge and end distance for bolt on timber must adhere to requirements set out by AS1720.1 section 4.4.4.
 - 70mm from timber end
 - 20mm from timber edge



Drill 4x 12mm Ø holes in rafter to fit M10 bolts



Install 4x appropriate M10 bolts to rafter and washers on the timber side along with hex nuts



Drill 2x 12mm Ø holes in fascia to fit M10 bolts



Install 2x appropriate M10 bolts to fascia of a minimum size 90x35mm; washer and hex nut as appropriate

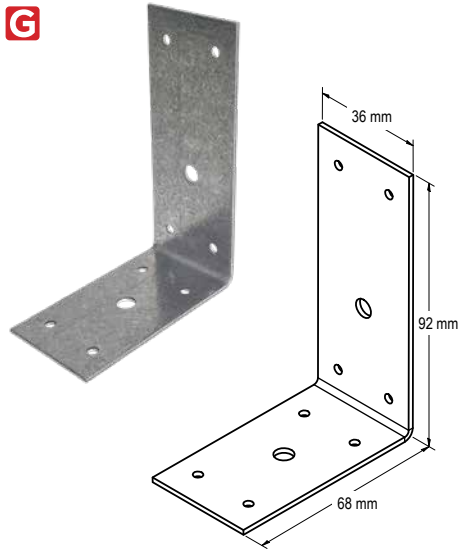
NOTES:

- Washers suitable are 2.5mm thick, 45mm Ø round or 40 x 40mm square in size and used on the timber side only.





GALVANISED PERGOLA ANGLES



APPLICATION

VUETRADE Pergola Angles are galvanised, multi-purpose building brackets ideal for connecting pergola rafters to beams.

SPECIFICATION

VUETRADE Galvanised Pergola Angles are manufactured using G300 Z275 galvanised steel in 1.6mm thickness.

FASTENERS

Nails: 8x VUETRADE 30mm x 2.8mm Ø Galvanised Connector Plate Nails, **AND:**

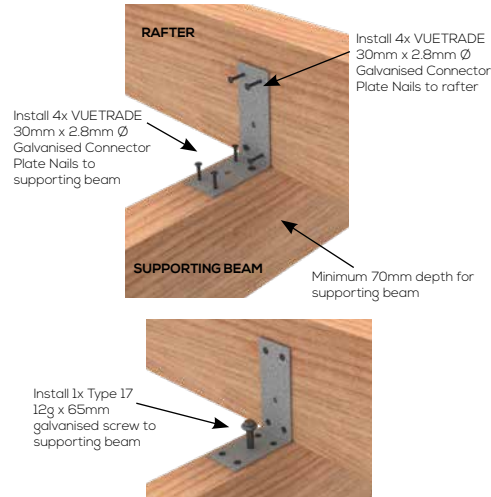
Screw: 1x appropriate Type 17 12g x 65mm galvanised screw

SIZES

Product Code	Size (mm)	Box Qty
VTPA36	92 x 68 x 36 x 16	200
VTPA36BK*	92 x 68 x 36 x 16	50

* BLACKOUT Pergola Angles are manufactured from G300 Z275 galvanised steel in 1.6mm thickness with black powder coating.

INSTALLATION GUIDE



NOTES:

1. Ensure that support beam to have a minimum section size of 70mm.
2. Use only VUETRADE 30mm x 2.8mm Ø Galvanised Connector Plate Nails and galvanised screws, usage of other steel materials nails and bolts with galvanised Pergola Angles may lead to bimetallic corrosion.
3. Install nail through pre-bored nail/screw holes provided, do not punch through sheet material as it may result in a weaker, non-compliant product.

DESIGN CAPACITY DATA

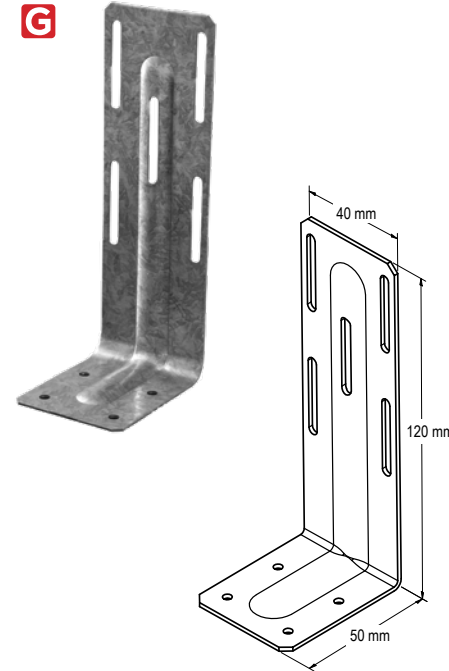
Table 36: Design capacity data of Pergola Angle on different joint group

Load Case	Design Capacity for Timber Joint Groups, kN					
	J3	J4	J5	JD3	JD4	JD5
Wind Uplift	3.1	2.2	1.7	4.3	3.1	2.5

NOTE:

1. Design capacities in Table 36 are based on installation of Pergola Angles with 4x VUETRADE 30mm x 2.8mm Ø Galvanised Connector Plate Nails on both flanges (total of 8x nails) and 1x Type 17 12g x 65mm screw.
2. Modification factors k1 for different load cases are adopted from AS1720.1-2010.
3. Design capacities in the Table 36 are based on Category 1 joints where it is applicable for failures that would be unlikely to affect an area of greater than 25m². For Category 2 and Category 3 joints, design capacities from the table are multiplied by 0.941 and 0.882 respectively.

GALVANISED INTERNAL WALL BRACKETS



APPLICATION

VUETRADE Internal Wall Bracket is used for lateral movement restraint of wall top plates when installed to internal walls. Elongated nail hole patterns specifically designed to allow vertical movement without applying additional loads to walls.

SPECIFICATION

VUETRADE Internal Wall Bracket is manufactured with 1.0mm thick G300 Z275 steel.

FASTENERS

Nails: Use only VUETRADE 30mm x 2.8mm Ø Galvanised Connector Plate Nails

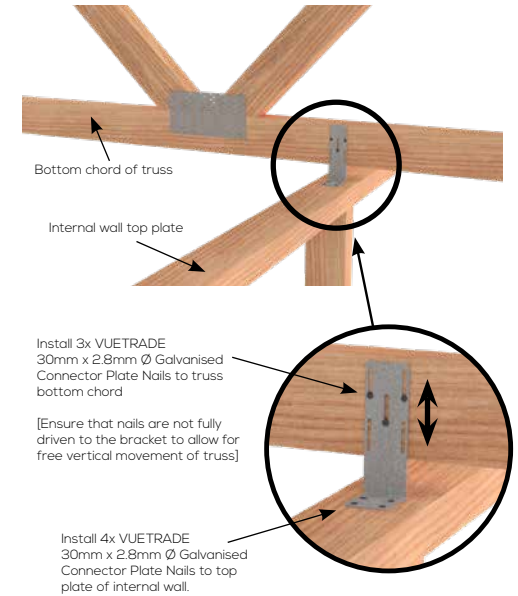
SIZES

Product Code	Nominal Size (mm)	Box Qty
VTPA47	120 x 50 x 40 x 1	100



INSTALLATION GUIDE

As required by AS1684 Clause 6.2.5.2, non-loadbearing walls shall have a gap of minimum 10mm between bottom chord/ ceiling battens and non-loadbearing walls. VUETRADE Internal Wall Bracket satisfy the installation requirement of AS1684 cl 6.2.5.2 of a slotted bracket to allow vertical movement of truss.



NOTES:

1. Ensure that 10mm gap is provided below bottom chord / batten as required in AS1684.
2. Do not drive nails on vertical face fully home to allow for free vertical movement of bottom chord
3. Extra nailing slots are provided where additional nails are required.
4. Internal Wall Bracket shall be fixed at 1800mm centres as recommended in AS1684 cl 6.2.5.2.

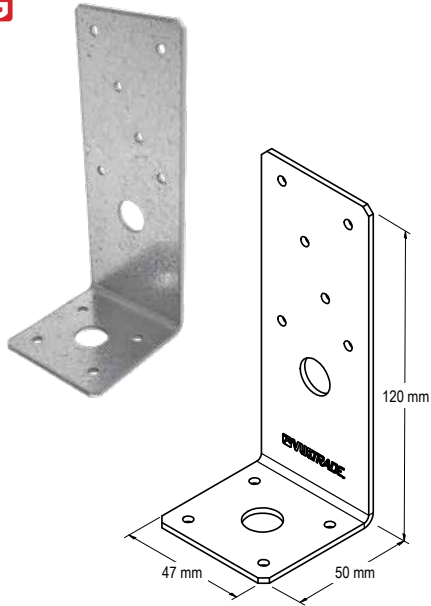




Timber Connectors Compliance Data



GALVANISED HOLD DOWN BRACKETS



APPLICATION

VUETRADE Hold Down Bracket is a heavy duty multi-purpose building bracket that provides tie down resistance, often used in the construction of wall studs and roof trusses.

SPECIFICATION

VUETRADE Hold Down Brackets are manufactured in 2mm G300 Z275 galvanised steel.

FASTENERS

Nails: Use only VUETRADE 30mm x 2.8mm Ø Galvanised Connector Plate Nails, **AND:**

Bolts: 1x M12 galvanised bolt / rod.

M12 bolts must be used to tie down the bracket to the supporting plate.

PRODUCT SIZES

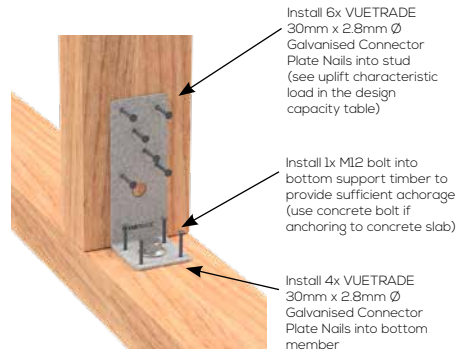
Product Code	Size (mm)	Thickness (mm)	Box Qty
VTHDB	120 x 50 x 47	2.0	75
VTHDBBK *	120 x 50 x 47	2.0	50

* BLACKOUT Hold Down Brackets are manufactured from G300 Z275 galvanised steel in 2.0 mm thickness with black powder coating.

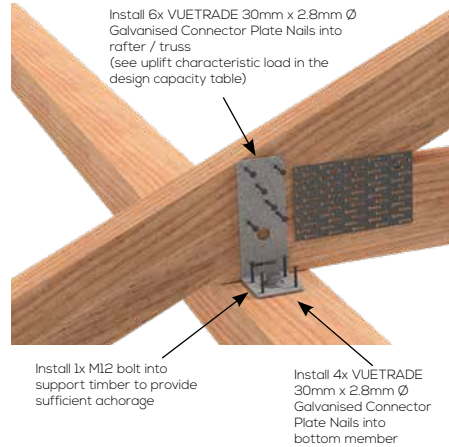
INSTALLATION AND NAILING SCHEDULE

1. Position and drill a 13mm hole through the support timber for M12 bolt.
2. Install suitable M12 bolts onto support timber.
3. Install 6x VUETRADE 30mm x 2.8mm Ø Galvanised Connector Plate Nails into stud / rafter.
4. A square washer may be used with the M12 bolt.
5. Install 4x VUETRADE 30mm x 2.8mm Ø Galvanised Connector Plate Nails into bottom member.

BOTTOM PLATE FIXING



TRUSS / RAFTER TO TOP PLATE FIXING



Timber Connectors Compliance Data



DESIGN CAPACITY DATA

Table 37: Hold Down Bracket Design Capacities

Load Directions	Design Capacity, N _{dj} (kN) for different timber species group					
	J3	J4	J5	JD3	JD4	JD5
Wind Uplift	4.6	3.3	2.5	6.5	4.6	3.8

NOTES:

1. Design capacities in Table 37 applies to VUETRADE Hold Down Brackets, where a minimum of 6 VUETRADE 30mm x 2.8mm Ø Galvanised Connector Plate Nails are installed in the vertical member of the connection and a M12 bolt for the horizontal member for maximum tie down capacity.
2. The design capacities are calculated based on the assumption that there is sufficient anchorage on the supporting member to resist wind uplift.
3. Design capacities in Table 37 are based on Category 1 joints where it is applicable for failures that would be unlikely to affect an area of greater than 25m². For Category 2 and Category 3 joints, design capacities from the table are multiplied by 0.941 and 0.882 respectively.
4. A pair of Hold Down Brackets may be used to double the design capacity tabulated above.



GALVANISED





**GALVANISED I-BEAM
VARIABLE SKEW ANGLE**



APPLICATION

The VUETRADE I-Beam Variable Skew Angle is a universal connector commonly used for timber truss connections where beams or trusses are coming in at an angle to the beam or girder truss. They can also be used as a heavy duty right angle whereby the bracket is used vertically and at a 90 degree angle.

SPECIFICATION

VUETRADE I-Beam Variable Skew Angles are manufactured from 5mm thick hot-dipped galvanized steel and have 6.0mm Ø wide countersunk holes.

FASTENERS

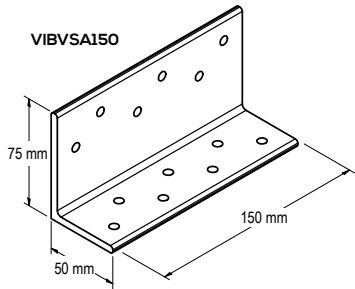
Screws: VUETRADE Type 17 12G x 35mm screws

Uplift Screw: 1x VUETRADE Type 17 12G x 35mm screw

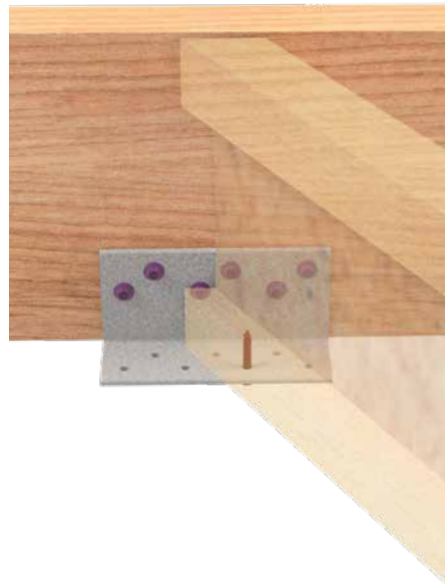
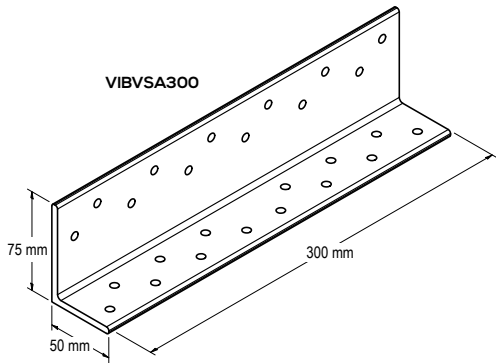
SIZES

Product Code	Nominal Size (mm)	Box Qty
VIBVSA150	150 x 50 x 75	10
VIBVSA300	300 x 50 x 75	10

VIBVSA150

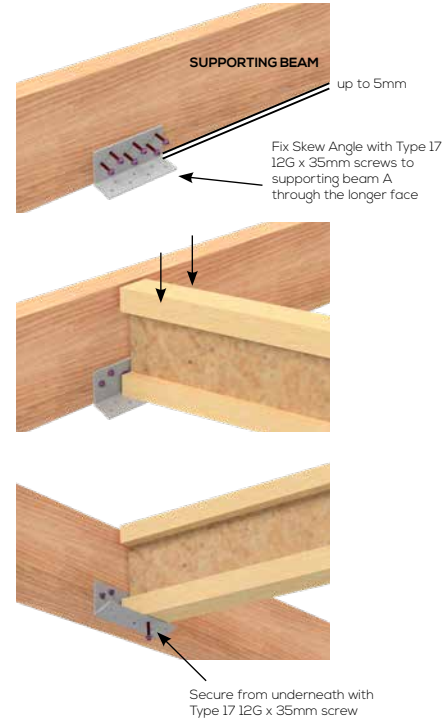


VIBVSA300



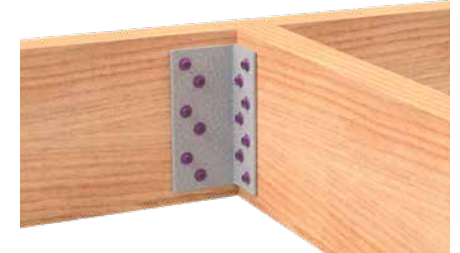
INSTALLATION GUIDE

METHOD 1: SKEW ANGLE SUPPORT



1. Refer to installation instructions or the approved method by consulting project engineer.
2. Align the bracket centrally along the marked location so that the longer face is placed against the supporting beam. The bracket can be set up to 5mm below the bottom edge of the supporting beam.
3. Install VUETRADE Type 17 12G x 35mm screws through all holes on the longer face of the bracket to fix to the supporting beam.
4. Sit the supported beam as far into the bracket as possible.
5. Install 1x VUETRADE Type 17 12G x 35mm from below into the supported beam.

METHOD 2: VERTICAL RIGHT ANGLE SUPPORT



1. Refer to installation instructions or the approved method by consulting project engineer.
2. Place supported beam flush to the supporting beam and install with screws. VIBVSA150 - minimum 6 screws per side, and VIBVSA300 - minimum 12 screws per side.

INSTALLATION NOTES FOR BOTH METHODS:

To resist twisting of the supporting beam, use screws through the back of the supporting beam into the end-grain of the supported beam.

Hardwood timbers should have screw holes pre-drilled to avoid timber splitting.





DESIGN CAPACITY DATA

Table 38: Design Capacity data for Method 1 when the I-Beam Variable Skew Angle is also secured from below with Uplift Screw

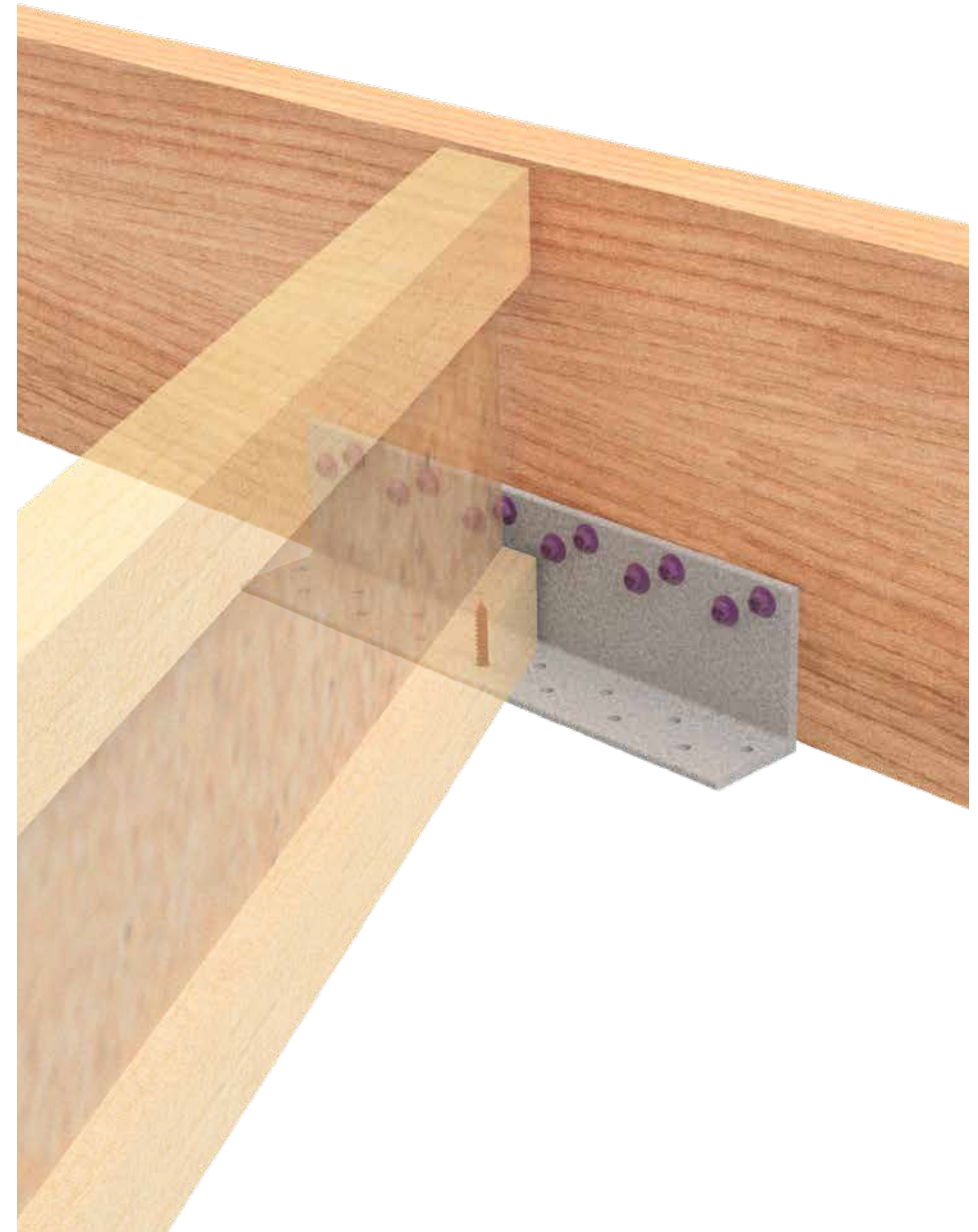
Sizes	Number of Screw Fixings on Supporting Beam	Type of load	Joint Group		
			JD3	JD4	JD5
150mm	6	Dead Load	9.5	6.8	4.8
		Dead Load + Floor Live Load	11.6	8.2	5.8
		Dead Load + Roof Live Load	12.9	9.1	6.5
		Dead Load + Wind Load	1.8	1.4	1.1
300mm	12	Dead Load	19.1	13.5	9.6
		Dead Load + Floor Live Load	23.1	16.4	11.6
		Dead Load + Roof Live Load	25.8	18.3	12.9
		Dead Load + Wind Load	1.8	1.4	1.1

Table 39: Design Capacity data for Method 2 when the I-Beam Variable Skew Angle is installed as a vertical right angle support

Sizes	Number of Screw Fixings on Each Beam	Type of load	Joint Group		
			JD3	JD4	JD5
150mm	6	Dead Load	6.7	4.7	3.4
		Dead Load + Floor Live Load	8.1	5.7	4.1
		Dead Load + Roof Live Load	9.0	6.4	4.5
		Dead Load + Wind Load	13.4	9.5	6.7
300mm	12	Dead Load	12.6	8.9	6.3
		Dead Load + Floor Live Load	15.3	10.8	7.7
		Dead Load + Roof Live Load	17.1	12.1	8.6
		Dead Load + Wind Load	25.2	17.9	12.7

NOTES:

- Modification factors k1 for different load cases in the design capacities of Table 35 are adopted from AS17201-2010.
- Design capacities in Table 38 are based on Category 1 joints where it is applicable for failures that would be unlikely to affect an area of greater than 25m². For Category 2 and Category 3 joints, design capacities from the table are multiplied by 0.941 and 0.882 respectively.
- Capacity in Table 39 may be doubled when a pair of brackets are being used. At no condition brackets should exceed 40kN in loading in any direction.



GALVANISED





**GALVANISED
PLATES - HEAVY DUTY**



APPLICATION

Commonly used to join timbers between flat timber faces.

SPECIFICATION

VUETRADE Plates - Heavy Duty are manufactured from 3.0mm thick mild steel conforming to AS1379:2021 with steel yield strength of minimum 300MPa. Plates are corrosion protected with Z275.

FASTENERS

Fasteners used in Plates - Heavy Duty shall refer to product size table in the next section. Use of coach screws in an equivalent size is permissible. Refer to usage guidelines in the next section on Plates - Heavy Duty usage for structural purposes for bolt spacing and minimum timber size requirements.



PRODUCT SIZES

Product Code	Dimensions (mm)	Thickness	Bolt Holes
VPHD12040	120 x 40mm	3.0mm	M10
VPHD12080	120 x 80mm	3.0mm	M10
VPHD120120	120 x 120mm	3.0mm	M10
VPHD120160	120 x 160mm	3.0mm	M10
VPHD16040	160 x 40mm	3.0mm	M10
VPHD16080	160 x 80mm	3.0mm	M10
VPHD160120	160 x 120mm	3.0mm	M10
VPHD160160	160 x 160mm	3.0mm	M10
VPHD20040	200 x 40mm	3.0mm	M10
VPHD20080	200 x 80mm	3.0mm	M10
VPHD200120	200 x 120mm	3.0mm	M10
VPHD200160	200 x 160mm	3.0mm	M10

USAGE OF VUETRADE PLATES - HEAVY DUTY FOR STRUCTURAL PURPOSES

While the Plates - Heavy Duty can be used in many applications, it is imperative to ensure that any structural applications must adhere to the requirements stipulated in the current National Construction Code for any relevant building classes.

For the purposes of this document, Plates - Heavy Duty used for structural purposes in timber framed structures MUST adhere to the requirements stipulated NCC 2022 Volume Two - Building Code of Australia Class 1 and 10 buildings, which includes the requirement to comply with, but not limited to, the following Australian Standards:

- AS1720.1 Timber Structures - Design Methods
- AS1684.2 Residential timber-framed constructions
- AS1720.5 Timber Structures - Part 5: Nailplated timber roof trusses.

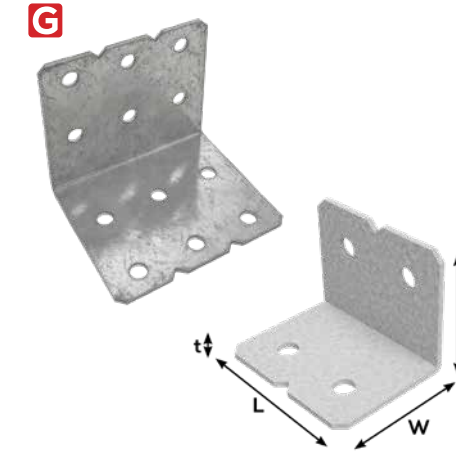
Usage of Plates - Heavy Duty with bolts shall adhere to edge and end distance between bolts placement and timber grades used as per AS1720.1.

The associated design capacities are dependent on the intended usage, timber grades, orientation of loadings and should be based on consultation and certification from relevant engineering authorities.

It is the responsibility of the end users and structural/site engineers to ensure correct application of plates. VUETRADE does not accept responsibility for non-compliant use of Plates - Heavy Duty.



**GALVANISED
ANGLE BRACKETS - HEAVY DUTY**



APPLICATION

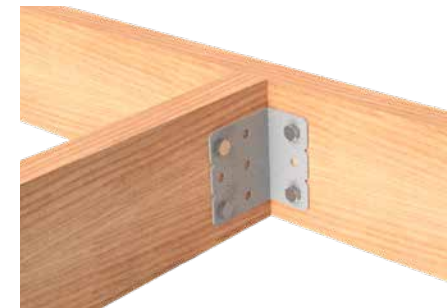
Commonly used to join timbers at right angles. These brackets can be used in different orientations to suit a wide range of joining applications.

SPECIFICATION

VUETRADE Angle Brackets - Heavy Duty are manufactured from 3.0mm thick mild steel conforming to AS1379:2021 with steel yield strength of minimum 300MPa. Brackets are corrosion protected with Z275.

FASTENERS

Fasteners used in Angle Brackets - Heavy Duty shall refer to product size table in the next section. Use of coach screws in an equivalent size is permissible. Refer to usage guidelines in the next section on Angle Brackets - Heavy Duty usage for structural purposes for bolt spacing and minimum timber size requirements.



PRODUCT SIZES

Product Code	Dimensions (mm)	Thickness	Bolt Holes
VABHD01	40L x 60W x 60H	3.0mm	M10
VABHD02	40L x 60W x 100H	3.0mm	M10
VABHD03	40L x 100W x 100H	3.0mm	M10
VABHD04	80L x 60W x 60H	3.0mm	M10
VABHD05	80L x 60W x 100H	3.0mm	M10
VABHD06	80L x 100W x 100H	3.0mm	M10
VABHD07	120L x 60W x 60H	3.0mm	M10
VABHD08	120L x 60W x 100H	3.0mm	M10
VABHD09	120L x 100W x 100H	3.0mm	M10
VABHD10	160L x 60W x 60H	3.0mm	M10
VABHD11	160L x 60W x 100H	3.0mm	M10
VABHD12	160L x 100L x 100W	3.0mm	M10

USAGE OF VUETRADE ANGLE BRACKETS - HEAVY DUTY FOR STRUCTURAL PURPOSES

While the Angle Brackets - Heavy Duty can be used in many applications, it is imperative to ensure that any structural applications must adhere to the requirements stipulated in the current National Construction Code for any relevant building classes.

For the purposes of this document, Angle Brackets - Heavy Duty used for structural purposes in timber framed structures MUST adhere to the requirements stipulated NCC 2022 Volume Two - Building Code of Australia Class 1 and 10 buildings, which includes the requirement to comply with, but not limited to, the following Australian Standards:

- AS1720.1 Timber Structures - Design Methods
- AS1684.2 Residential timber-framed constructions
- AS1720.5 Timber Structures - Part 5: Nailplated timber roof trusses.

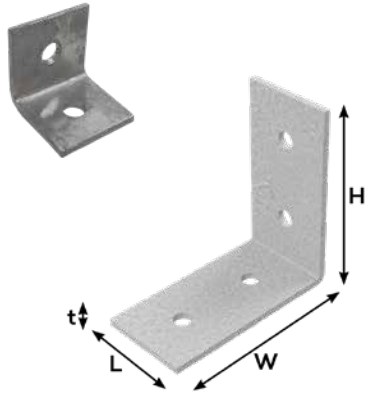
Usage of Angle Brackets - Heavy Duty with bolts shall adhere to edge and end distance between bolts placement and timber grades used as per AS1720.1.

The associated design capacities are dependent on the intended usage, timber grades, orientation of loadings and should be based on consultation and certification from relevant engineering authorities.

It is the responsibility of the end users and structural/site engineers to ensure correct application of brackets. VUETRADE does not accept responsibility for non-compliant use of Angle Brackets - Heavy Duty.



**GALVANISED L TYPE
HDG BRACKETS**



PRODUCT SIZES

Product Code	Dimensions (mm)	Thickness	Bolt Holes
VABL01G	40L x 40W x 40H	5.0mm	M10
VABL02G	40L x 40W x 40H	5.0mm	M12
VABL03G	50L x 50W x 50H	5.0mm	M12
VABL04G	65L x 65W x 65H	5.0mm	M12
VABL05G	75L x 90W x 90H	6.5mm	M12
VABL06G	40L x 40W x 80H	5.0mm	M12
VABL07G	50L x 50W x 100H	5.0mm	M12
VABL08G	65L x 65W x 130H	5.0mm	M12
VABL09G	75L x 90W x 150H	6.5mm	M12
VABL10G	40L x 80W x 80H	5.0mm	M12
VABL11G	50L x 100W x 100H	5.0mm	M12
VABL12G	65L x 130W x 130H	5.0mm	M12
VABL13G	75L x 150W x 150H	6.5mm	M12

**USAGE OF VUETRADE L TYPE HDG BRACKETS FOR
STRUCTURAL PURPOSES**

While the L Type HDG Brackets can be used in many applications, it is imperative to ensure that any structural applications must adhere to the requirements stipulated in the current National Construction Code for any relevant building classes.

For the purposes of this document, L Type HDG Brackets used for structural purposes in timber framed structures MUST adhere to the requirements stipulated NCC 2022 Volume Two – Building Code of Australia Class 1 and 10 buildings, which includes the requirement to comply with, but not limited to, the following Australian Standards:

- AS1720.1 Timber Structures – Design Methods
- AS1684.2 Residential timber-framed constructions
- AS1720.5 Timber Structures – Part 5: Nailplated timber roof trusses.

Usage of L Type HDG Brackets with bolts shall adhere to edge and end distance between bolts placement and timber grades used as per AS1720.1.

The associated design capacities are dependent on the intended usage, timber grades, orientation of loadings and should be based on consultation and certification from relevant engineering authorities.

It is the responsibility of the end users and structural/site engineers to ensure correct application of brackets. VUETRADE does not accept responsibility for non-compliant use of L Type HDG Brackets.

APPLICATION

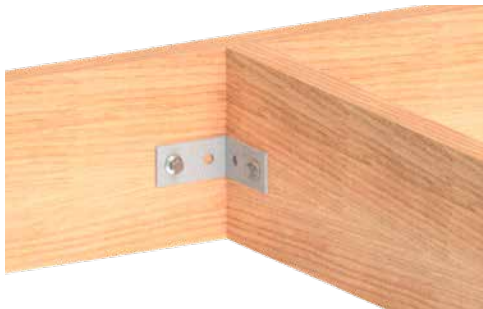
Commonly used to join timbers at right angles. These brackets can be used in different orientations to suit a wide range of joining applications.

SPECIFICATION

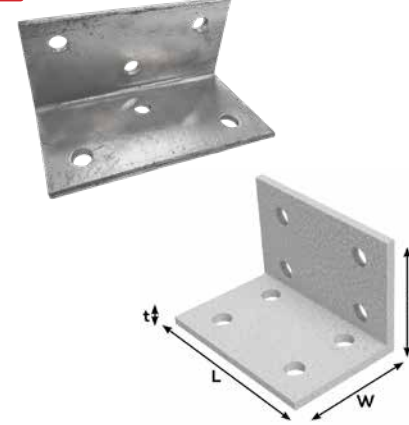
VUETRADE L Type HDG Brackets are manufactured from 5.0 or 6.5mm thick G300 steel conforming to AS1379:2021 with steel yield strength of minimum 300MPa. Brackets are corrosion protected with Hot Dip Galvanised to a minimum of 300g/m².

FASTENERS

Fasteners used in HDG brackets shall refer to product size table in the next section. Use of coach screws in an equivalent size is permissible. Refer to usage guidelines in the next section on L Type HDG Brackets usage for structural purposes for bolt spacing and minimum timber size requirements.



**GALVANISED STRUCTURAL
HDG BRACKETS**



PRODUCT SIZES

Product Code	Dimensions (mm)	Thickness (mm)	Bolt Holes
VABHS01G	75L x 75W x 75H	6.0	M12
VABHS02G	100L x 100W x 100H	6.0	M12
VABHS03G	185L x 100W x 100H	6.0	M12
VABHS04G	250L x 100W x 100H	6.0	M12
VABHS05G	150L x 100W x 100H	8.0	M16
VABHS06G	200L x 100W x 100H	8.0	M16
VABHS07G	200L x 140W x 90H	8.0	M16
VABHS08G	140L x 65W x 65H	5.0	M12
VABHS09G	190L x 65W x 65H	5.0	M12
VABHS10G	240L x 65W x 65H	5.0	M12
VABHS11G	290L x 65W x 65H	5.0	M12
VABHS12G	140L x 75W x 50H Unequal	5.0	M12
VABHS13G	190L x 75W x 50H Unequal	5.0	M12
VABHS14G	240L x 75W x 50H Unequal	5.0	M12
VABHS15G	290L x 75W x 50H Unequal	5.0	M12

APPLICATION

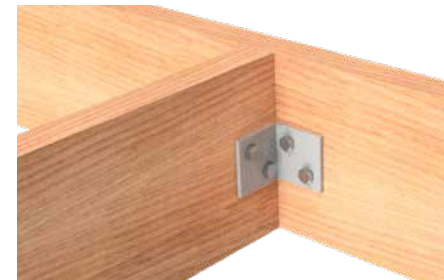
Commonly used to join timbers at right angles. These brackets can be used in different orientations to suit a wide range of joining applications.

SPECIFICATION

VUETRADE Structural HDG Brackets are manufactured from 5.0, 6.0 or 8.0mm thick G300 steel conforming to AS1379:2021 with steel yield strength of minimum 300MPa. Brackets are corrosion protected with Hot Dip Galvanised to a minimum of 300g/m².

FASTENERS

Fasteners used in HDG brackets shall refer to product size table in the next section. Use of coach screws in an equivalent size is permissible. Refer to usage guidelines in the next section on Structural HDG Brackets usage for structural purposes for bolt spacing and minimum timber size requirements.



**USAGE OF VUETRADE STRUCTURAL HDG BRACKETS FOR
STRUCTURAL PURPOSES**

While the Structural HDG Brackets can be used in many applications, it is imperative to ensure that any structural applications must adhere to the requirements stipulated in the current National Construction Code for any relevant building classes.

For the purposes of this document, Structural HDG Brackets used for structural purposes in timber framed structures MUST adhere to the requirements stipulated NCC 2022 Volume Two – Building Code of Australia Class 1 and 10 buildings, which includes the requirement to comply with, but not limited to, the following Australian Standards:

- AS1720.1 Timber Structures – Design Methods
- AS1684.2 Residential timber-framed constructions
- AS1720.5 Timber Structures – Part 5: Nailplated timber roof trusses.

Usage of Structural HDG Brackets with bolts shall adhere to edge and end distance between bolts placement and timber grades used as per AS1720.1.

The associated design capacities are dependent on the intended usage, timber grades, orientation of loadings and should be based on consultation and certification from relevant engineering authorities.

It is the responsibility of the end users and structural/site engineers to ensure correct application of brackets. VUETRADE does not accept responsibility for non-compliant use of Structural HDG Brackets.



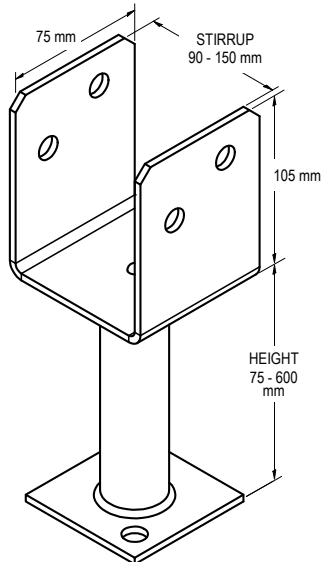
**GALVANISED FULL STIRRUP
POST SUPPORTS**



**BOLTED TO
CONCRETE**



**CAST INTO
CONCRETE**



APPLICATION

Full Stirrup Post Supports are brackets ideal for holding timber posts, installed by bolting onto or setting into concrete.

SPECIFICATION

VUETRADE Galvanised Steel Full Stirrup Post Supports are manufactured using G300 steel and corrosion protected with Hot Dipped Galvanised.

FASTENERS

Saddle: 2x Zinc-Nickel Coated VUEBOLT or appropriate M12 bolts with hex nuts

Base: 2x M12 concrete bolts or equivalent

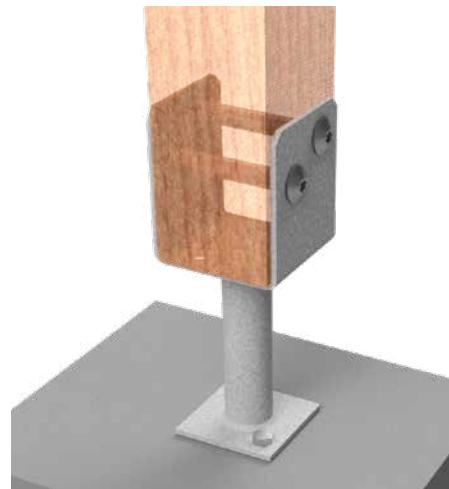
SIZES

Full Stirrup Post Support stirrup sizes range from 90 to 150mm, and leg sizes from 75 to 600mm. Common sizes include:

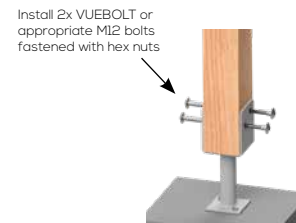
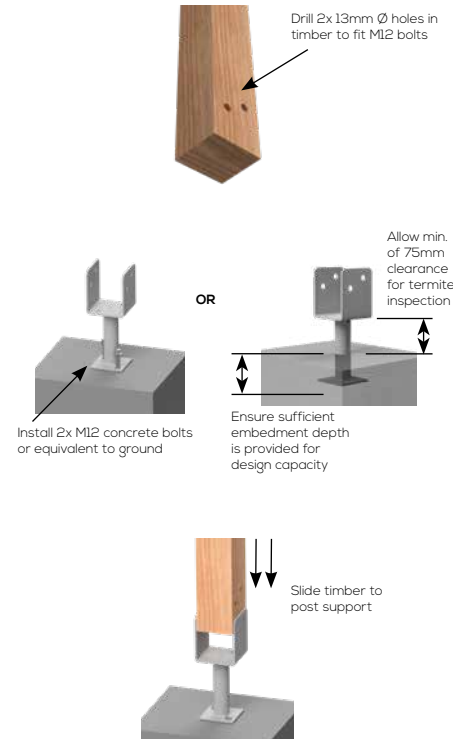
Product Code	Stirrup Size (mm)	Height (mm)	Box Qty
VPS13090	90	130	10
VPS130100	100	130	10
VPS130115	115	130	10
VPS130125	125	130	10
VPS300135	135	300	10
VPS450150	150	450	10
VPS600115	115	600	10
VPS30090BK**	90	300	10

* For extensive listing of standard and custom sized Full Stirrups, refer to the VUETRADE Full Stirrup Post Support webpage.

** BLACKOUT Full Stirrup Post Supports are manufactured in 4.0mm steel, corrosion protected with Hot-Dipped Galvanised and then black powder coated.



INSTALLATION GUIDE AND BOLT FIXING SCHEDULE



- NOTES:**
1. Embedment depth of VUETRADE Post Support should be determined and calculated by a Structural Engineer in order to achieve the reported design load. This usually depends on the type of concrete used, aggregate ratio etc.
 2. 75mm clearance must be provided to conform to the requirements set out by AS3660.1:2014 - Termite management, Part 1: New building work.



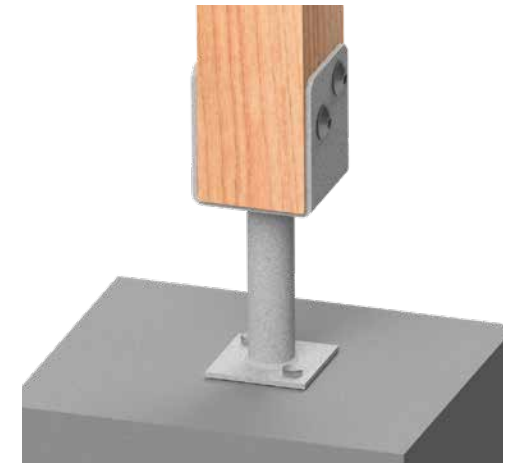
DESIGN CAPACITY DATA

Table 40: Full Stirrup Post Support design capacities

Load Case	Design Capacity, N _{dj} (kN)					
	J3	J4	J5	JD3	JD4	JD5
Uplift capacity	12.7	10.0	8.7	15.8	12.7	11.0

NOTES:

1. Design capacity in Table 40 applies to VUETRADE Post Supports where 2x M12 bolts are installed and tightly fastened with nuts.
2. Timber posts must have minimum dimensions of 90mm by 90mm section and shall be installed flat to the base of the post support.
3. Design capacities for post supports bolted or cast into concrete assumed that there is sufficient anchorage in the concrete to resist the pull-out force imposed by wind loading.
4. Design capacities in the above table are for wind uplift (vertical force direction) only and are obtained under strict in-house test conditions defined by AS1649-2001 - Timber - Methods of test for mechanical fasteners and connectors & uplift capacity requirements outlined in AS1720.1-2010 - Timber structures, Part 1: Design methods.
5. VUETRADE Post Supports should only be used to resist wind uplift / dead load as specified in the TDS and should not be assumed to provide lateral stability. Sufficient bracing should be provided and approved by a structural engineer for lateral stability.
6. Design capacity of post support may be limited by the withdrawal tensile capacity of concrete bolts used to fasten post support to concrete ground. Ensure that suitable concrete bolts are used for above design capacities to be valid.





**GALVANISED HALF STIRRUP
POST SUPPORTS**



APPLICATION

Half Stirrup Post Supports are brackets ideal for fixing timber posts to a base, especially where the post can only be accessed from one side for bolting.

SPECIFICATION

VUETRADE Galvanised Half Stirrup Post Supports are manufactured in G300 steel and corrosion protected with Hot-Dipped Galvanised.

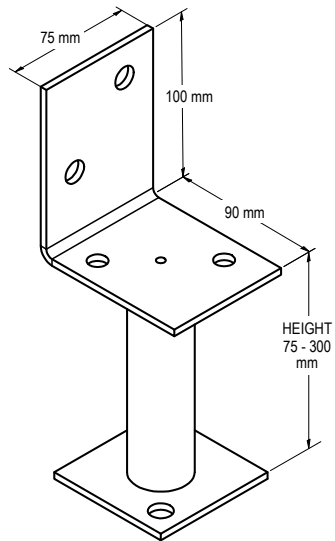
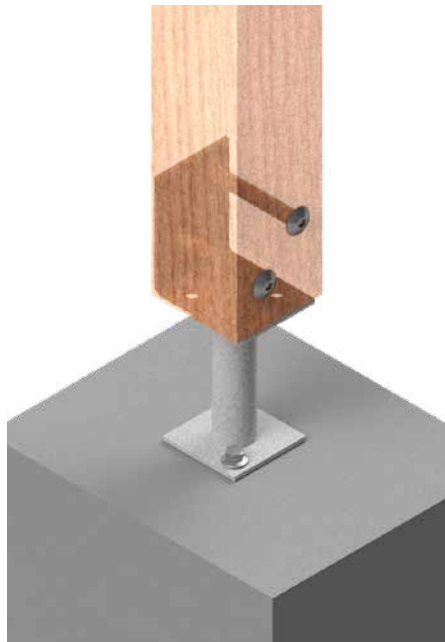
FASTENERS

Saddle: 2x Zinc-Nickel Coated VUEBOLT or appropriate M12 bolts with hex nuts

Base: 2x M12 concrete bolts or equivalent

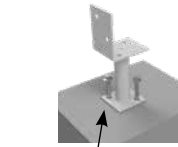
SIZES

Product Code	Height (mm)	Box Qty
VHSPS75	75	10
VHSPS125	125	10
VHSPS200	200	10
VHSPS250	250	10
VHSPS300	300	10



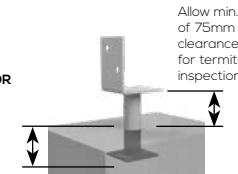
INSTALLATION GUIDE AND BOLT FIXING SCHEDULE

Drill 2x 13mm Ø holes in timber to fit M12 bolts

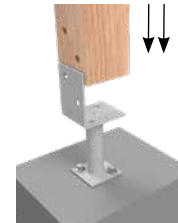


Install 2x M12 concrete bolts or equivalent to ground

OR

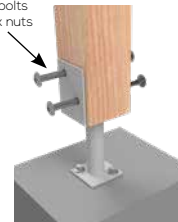


Ensure sufficient embedment depth is provided for design capacity



Slide timber to post support

Install 2x VUEBOLT or appropriate M12 bolts fastened with hex nuts



NOTES:

1. Embedment depth of VUETRADE Post Support should be determined and calculated by a Structural Engineer to achieve the reported design load. This usually depends on the type of concrete used, aggregate ratio etc.
2. 75mm clearance must be provided to conform to the requirements set out by AS3660.1:2014 - Termite management, Part 1: New building work.



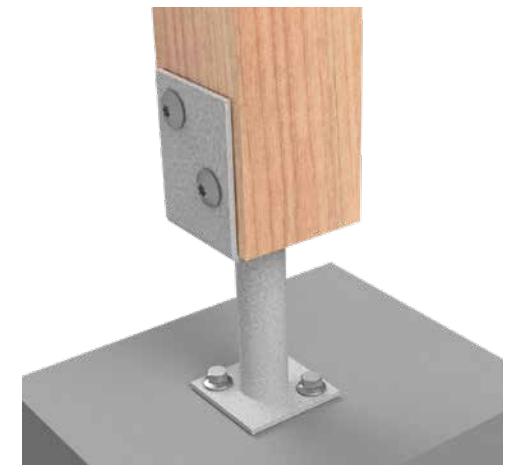
DESIGN CAPACITY DATA

Table 41: Half Stirrup Post Support design capacities

Load Case	Design Capacity, N _{dj} (kN)					
	J3	J4	J5	JD3	JD4	JD5
Uplift capacity	6.3	5.0	4.3	7.9	6.3	5.5

NOTES:

1. Design capacity in Table 41 applies to VUETRADE Post Supports where 2x M12 bolts are installed and tightly fastened with nuts.
2. Timber posts must have minimum dimensions of 90mm by 90mm section and shall be installed flat to the base of the post support.
3. Design capacities for post supports bolted or cast into concrete are based on assumption that there is sufficient anchorage in the concrete to resist the pull-out force imposed by wind loading.
4. Design capacities in the above table are for wind uplift (vertical force direction) only and are obtained under strict in-house test conditions defined by AS1649-2001 - Timber - Methods of test for mechanical fasteners and connectors & uplift capacity requirements outlined in AS17201-2010 - Timber structures, Part 1: Design methods.
5. VUETRADE Post Supports should only be used to resist wind uplift / dead load as specified in the TDS and should not be assumed to provide lateral stability. Sufficient bracing should be provided and approved by a structural engineer for lateral stability.
6. Design capacity of post support may be limited by the withdrawal tensile capacity of concrete bolts used to fasten post support to concrete ground. Ensure that suitable concrete bolts are used for above design capacity to be valid.





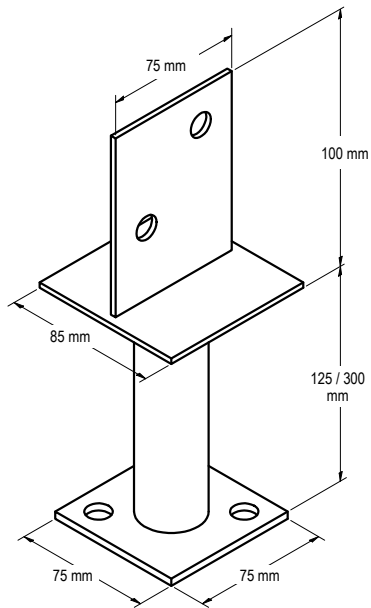
**GALVANISED CENTRE BLADE
POST SUPPORTS**



**BOLTED TO
CONCRETE**



**CAST INTO
CONCRETE**



APPLICATION

Centre Blade Post Supports are brackets used for fixing timber posts to concrete or timber bases, with the 'hidden' blade providing a neat finish.

SPECIFICATION

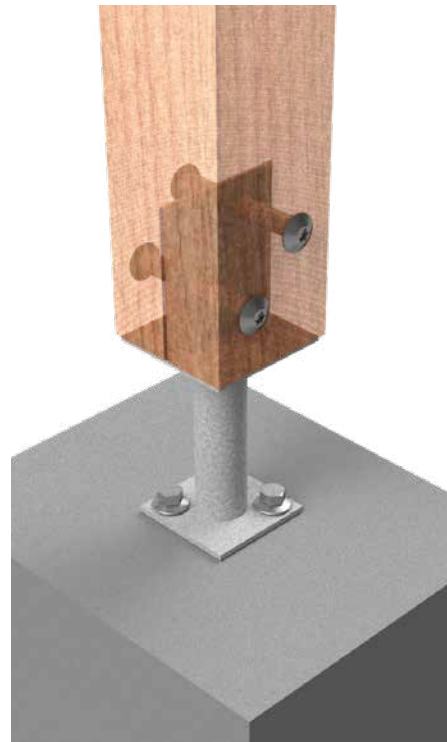
VUETRADE Galvanised Centre Blade Post Supports are manufactured in G300 steel and corrosion protected with Hot Dipped Galvanised.

FASTENERS

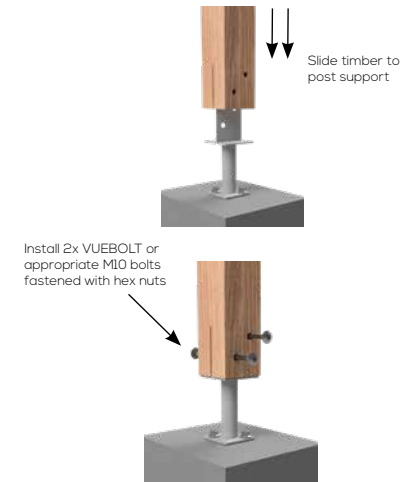
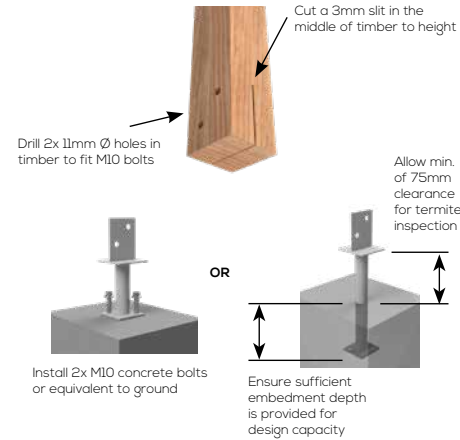
- Saddle:** 2x Zinc-Nickel Coated VUEBOLT or appropriate M10 bolts with hex nuts
- Base:** 2x M10 concrete bolts or equivalent

SIZES

Product Code	Height (mm)	Box Qty
VBLPS125	125	10
VBLPS300	300	10



INSTALLATION GUIDE AND BOLT FIXING SCHEDULE



NOTES:

- Embedment depth of VUETRADE Post Support should be determined and calculated by a Structural Engineer to achieve the reported design load. This usually depends on the type of concrete used, aggregate ratio etc.
- 75mm clearance must be provided to conform to the requirements set out by AS3660.1:2014 - Termite management, Part 1: New building work.



DESIGN CAPACITY DATA

Table 1: Design Capacity of Centre Blade Post Support in different joint groups

Load Case	Design Capacity, N _{dj} (kN)		
	JD3	JD4	JD5
Uplift capacity	6.1	4.9	4.3

NOTES:

- Design capacity in Table 1 applies to VUETRADE Post Supports where 2x VUEBOLT or appropriate M10 bolts tightly fastened with hex nuts are installed.
- Timber posts must have minimum dimensions of 90mm by 90mm section and shall be installed flat to the base of the post support.
- Design capacities for post supports bolted or cast into concrete assumed that there is sufficient anchorage in the concrete to resist the pull-out force imposed by wind loading.
- Design capacities in the above table are for wind uplift (vertical force direction) only and are obtained under strict in-house test conditions defined by AS1649-2001 - Timber - Methods of test for mechanical fasteners and connectors & uplift capacity requirements outlined in AS1720.1-2010 - Timber structures, Part 1: Design methods.
- VUETRADE Post Supports should only be used to resist wind uplift / dead load as specified in the TDS and should not be assumed to provide lateral stability. Sufficient bracing should be provided and approved by a structural engineer for lateral stability.





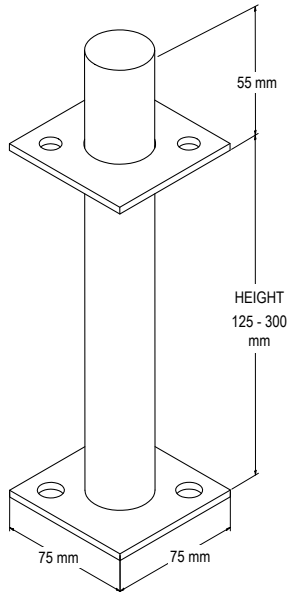
**GALVANISED PIN STIRRUP
POST SUPPORTS**



**BOLTED TO
CONCRETE**



**CAST INTO
CONCRETE**



APPLICATION

Pin Stirrup Post Supports are brackets ideal for holding timber posts in applications where the post support needs to be totally concealed.

SPECIFICATION

VUETRADE Galvanised Pin Stirrup Post Supports are manufactured with a 32mm solid shaft in G300 steel and corrosion protected with Hot-Dipped Galvanised.

FASTENERS

Saddle: 2x M10 x 75mm appropriate coach screws

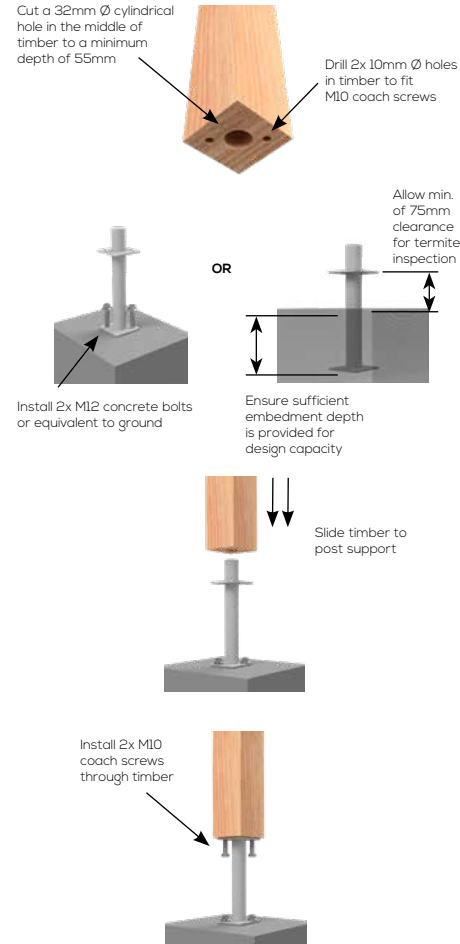
Base: 2x M12 concrete bolts or equivalent

SIZES

Product Code	Height (mm)	Box Qty
VPPSI25	125	10
VPPS200	200	10
VPPS300	300	10



INSTALLATION GUIDE AND BOLT FIXING SCHEDULE



NOTES:

1. Embedment depth of VUETRADE Post Support should be determined and calculated by a Structural Engineer to achieve the reported design load. This usually depends on the type of concrete used, aggregate ratio etc.
2. 75mm clearance must be provided to conform to the requirements set out by AS3660.1:2014 - Termite management, Part 1: New building work.



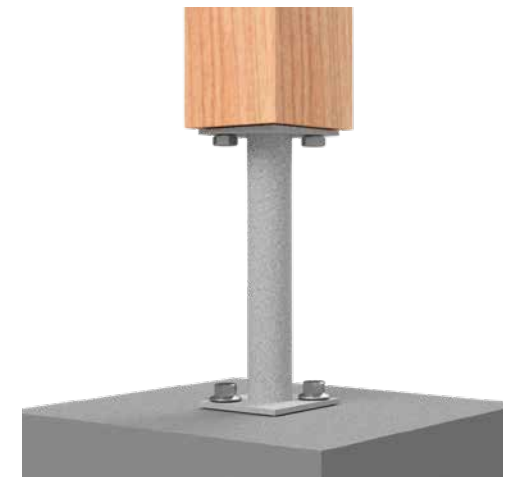
DESIGN CAPACITY DATA

Table 43. Design Capacity Table of Pin Stirrup Post Support fastened with 2x M10 coach screws

All post sizes (mm)	J3	J4	J5	JD3	JD4	JD5
	51	3.5	2.6	6.4	4.4	3.3

NOTES:

1. Design capacity in Table 43 applies to VUETRADE Post Supports where 2x M10 coach screws are installed to the timber through pre-drilled holes at the bottom of post support top plate.
2. Timber posts must have minimum dimensions of 90mm by 90mm section and shall be installed flat to the base of the post support.
3. Design capacities for post supports bolted or cast into concrete assumed that there is sufficient anchorage in the concrete to resist the pull-out force imposed by wind loading.
4. Design capacities in the above table are for wind uplift (vertical force direction) only.
5. VUETRADE Post Supports should only be used to resist wind uplift / dead load as specified in the TDS and should not be assumed to provide lateral stability. Sufficient bracing should be provided and approved by a structural engineer for lateral stability.
6. Design capacities in Table 43 are based on Category 1 joints where it is applicable for failures that would be unlikely to affect an area of greater than 25m². For Category 2 and Category 3 joints, design capacities in table are modified by multiplying 0.941 and 0.882 respectively.





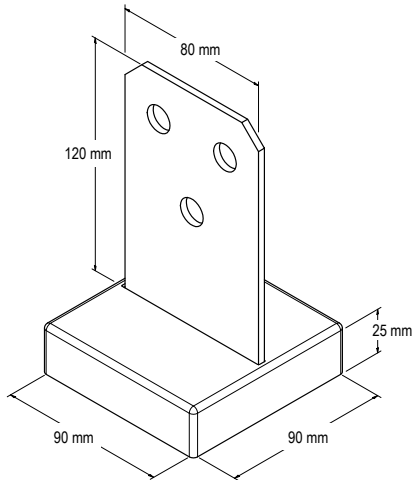
Timber Connectors Compliance Data



GALVANISED CONCEALED BOLT DOWN POST SUPPORTS



**BOLTED TO
CONCRETE**



APPLICATION

An alternative to the traditional U-shaped bolt down post supports. This T Blade provides excellent support strength and an architectural and concealed finish.

SPECIFICATION

VUETRADE Concealed Bolt Down Post Supports are manufactured out of G300 Z275 steel in 3mm thickness. The concealing caps are manufactured in Stainless Steel 304.

- 145mm Blade Height (including base plate)
- 80mm Blade Width
- Hot Dipped Galvanised Blade
- SS304 concealing caps

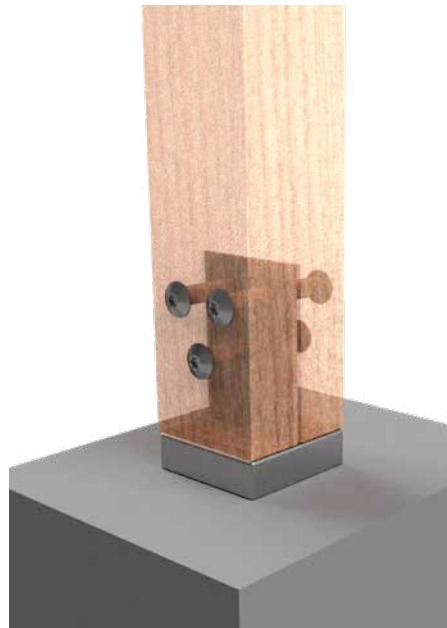
FASTENERS

Blade: 3x Zinc-Nickel Coated VUEBOLT or appropriate M12 bolts with hex nuts

Base: 2x M12 concrete bolts or equivalent

SIZES

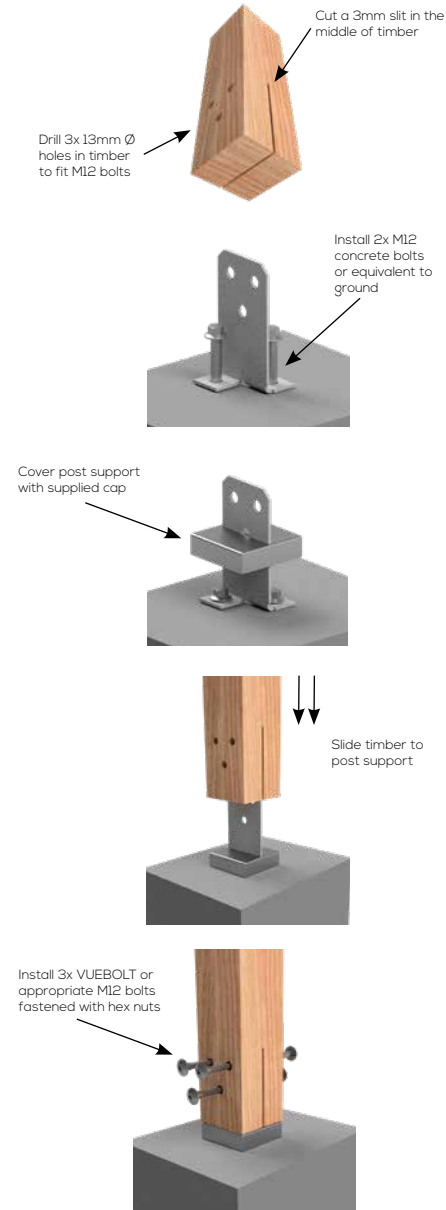
Product Code	Size (mm)	Bolt Size	Box Qty
VCBPS90	90	M12	10



Timber Connectors Compliance Data



INSTALLATION GUIDE AND BOLT FIXING SCHEDULE



DESIGN CAPACITY DATA

Table 44: Concealed Bolt Down Post Support Design Capacity

Load Direction to Grain	Design Capacity, kN
Parallel to Grain	32.8 kN

NOTES:

1. Design capacity in Table 44 applies to VUETRADE Post Supports where 2x M12 bolts are installed and tightly fastened with nuts.
2. Timber posts must have minimum dimensions of 90mm by 90mm section and shall be installed flat to the base of the post support.
3. Design capacities in the above table are for wind uplift (vertical force direction) only and are obtained under strict in-house test conditions defined by AS1649-2001 - Timber - Methods of test for mechanical fasteners and connectors & uplift capacity requirements outlined in AS1720.1-2010 - Timber structures, Part 1: Design methods.
4. VUETRADE Post Supports should only be used to resist wind uplift / dead load as specified in the TDS and should not be assumed to provide lateral stability. Sufficient bracing should be provided and approved by a structural engineer for lateral stability.



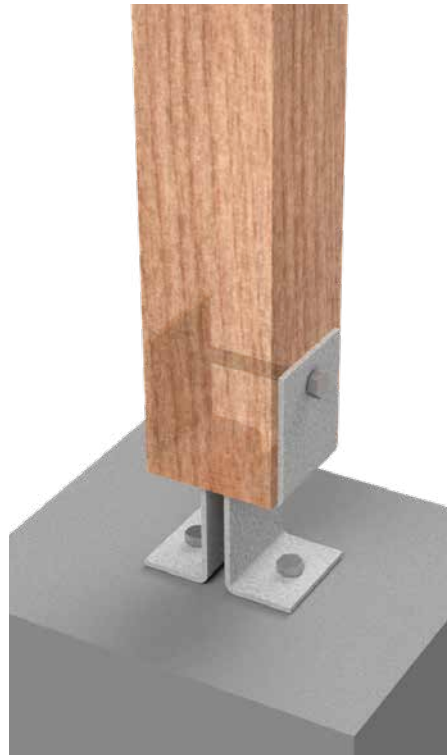
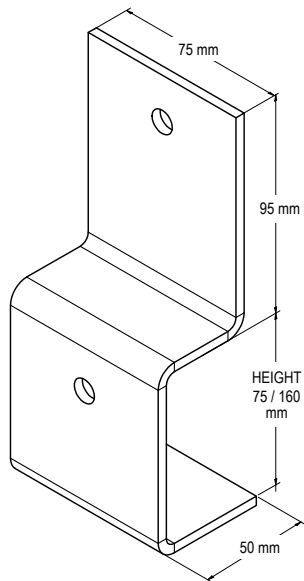


Timber Connectors Compliance Data

GALVANISED ADJUSTABLE POST SUPPORTS



BOLTED TO CONCRETE



APPLICATION

Adjustable Post Supports are brackets ideal for fixing uncommon or large sizes of timber posts, installed by bolting onto concrete.

SPECIFICATION

VUETRADE Adjustable Post Support are manufactured from 4mm thick G300 steel and Hot Dipped Galvanised for corrosion protection. Available in two sizes to suit a variety of timber post sizes.

FASTENERS

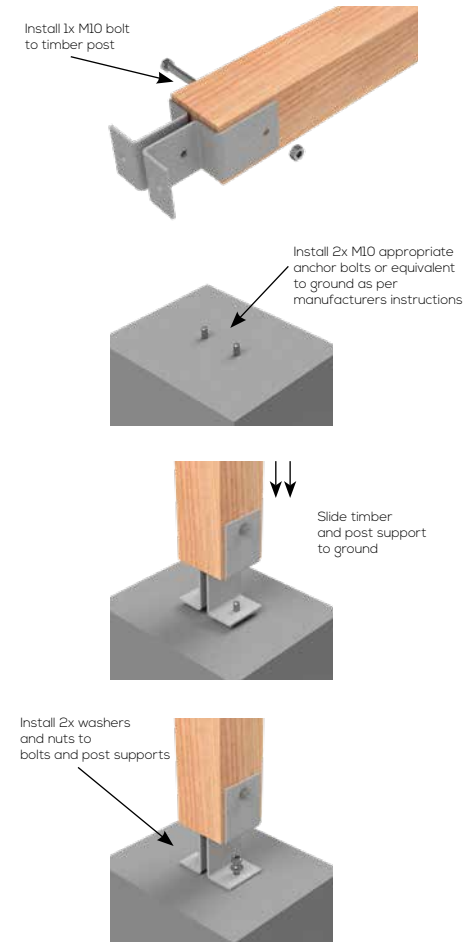
- Saddle:** 1x appropriate M10 bolt with hex nut, **OR:**
2x M10 coach screws for larger timber post sizes
- Base:** 2x M10 appropriate anchor bolts or equivalent

SIZES

Product Code	Height (mm)	Thickness (mm)	Box Qty
VAPS75	75	4	10
VAPS160	160	4	10



INSTALLATION GUIDE AND BOLT FIXING SCHEDULE



1. Install 1x M10 bolt, or 2x M10 coach screws to fasten post support to timber post.
2. Ensure that suitable M10 concrete bolts are used when fastening post support to ground.
3. Use only galvanised bolts with galvanised post supports, usage of other steel materials bolts with galvanised post support may lead to bimetallic corrosion.
4. For larger timber sizes, use 2x M10 coach screws.

Timber Connectors Compliance Data



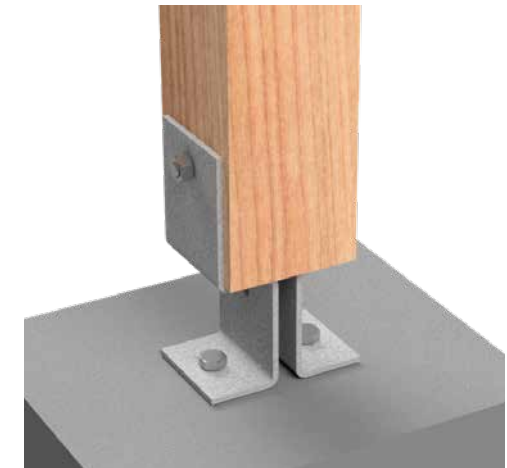
DESIGN CAPACITY DATA

Table 45: Adjustable Post Support design capacities [used in pairs]

Load Case	Design Capacity, Ndj (kN)
	JD4
Uplift capacity	16 kN

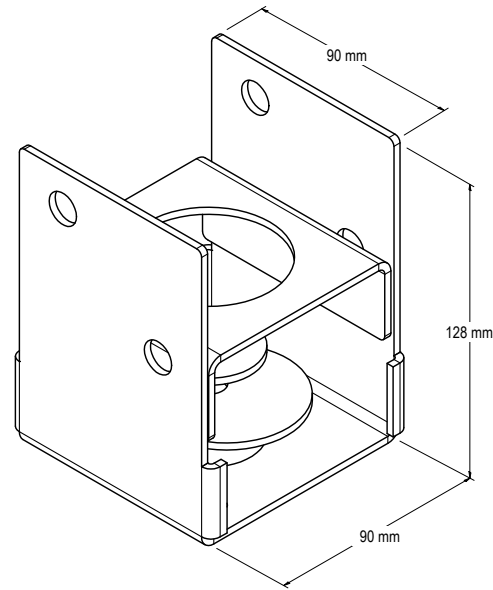
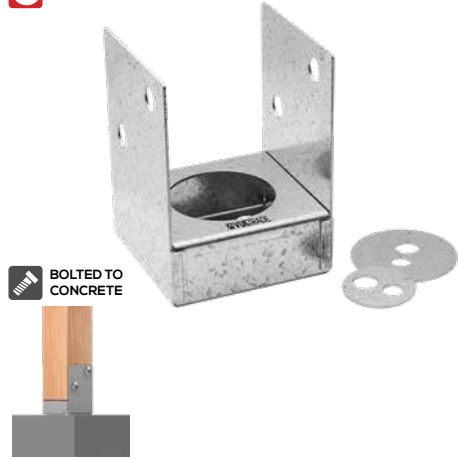
NOTES:

1. Design capacity in Table 45 applies to VUETRADE Adjustable Post Supports where 2x M10 bolts are installed and tightly fastened with hex nuts (where applicable)
2. Bolts at the base of the post supports must have sufficient anchorage to resist wind uplift.
3. Timber post dimensions must have a minimum dimension of 75mm by 75mm section.
4. Design capacities in Table 45 provides capacity for forces in the vertical direction (wind uplifts) only and are obtained under test conditions defined in AS1649-2001 - Timber - Methods of test for mechanical fasteners and connectors & uplift capacity requirements outlined in AS1720.1-2010 - Timber structures, Part 1: Design methods.
5. VUETRADE Post Supports should only be used to resist wind uplift / dead load as specified in the TDS and should not be assumed to provide lateral stability. Sufficient bracing should be provided and approved by a structural engineer for lateral stability.
6. Design capacity of post support may be limited by the withdrawal capacity of concrete bolts used to fasten post support to concrete ground. Ensure that suitable concrete bolts are used for above design capacity to be valid.





GALVANISED TRADIES BOLT DOWN POST SUPPORTS



APPLICATION

VUETRADE Tradies Bolt Down Post support is an economical timber bolt down alternative to the standard bolt down post support, featuring a newly designed and engineered body. The adjustable cap allows the post support to switch between easy access mode and concealed mode.

SPECIFICATION

VUETRADE Tradies Bolt Down Post Supports are manufactured out of G300 Z275 in 1.5mm plate thickness.

FASTENERS

Saddle: 2x Zinc-Nickel Coated VUEBOLT or appropriate M12 bolts with hex nuts

Base: **Method 1:** 1x M12 concrete bolt or equivalent fastened with supplied washers. **OR:**

Method 2: 2x M12 concrete bolts or equivalent fastened to designated bolt holes. **OR:**

Method 3: Combination of above methods, using 3x M12 concrete bolts or equivalent fastened in designated bolt holes and along with supplied washers

SIZES

Product Code	Size (mm)	Suits timber width
VTBPS90	90	90mm
VTBPS90BK*	90	90mm

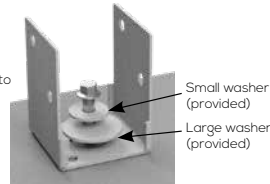
* BLACKOUT Tradies Bolt Down Post Supports are manufactured from 1.5mm G300 Z275 galvanised steel with black powder coating.

INSTALLATION GUIDE AND BOLT FASTENING SCHEDULE

Drill 2x 13mm Ø holes in timber to fit M12 bolts

METHOD 1

Install 1x M12 concrete bolt or equivalent to ground



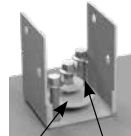
METHOD 2

Install 2x M12 concrete bolts or equivalent to ground



METHOD 3

Install 3x M12 concrete bolts or equivalent to ground



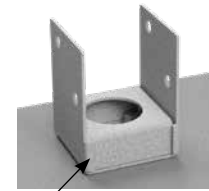
Large washer (provided) Small washer (provided)



INSTALLATION GUIDE CONT'D

CONCEALED mode

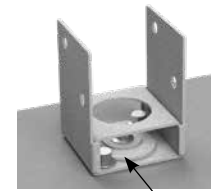
Suitable for those who wish to achieve a neat and concealed finish.



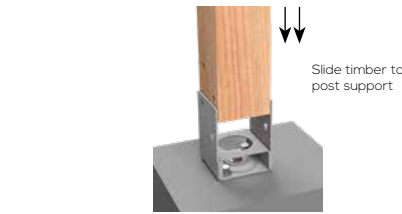
Place the post support cap to conceal the gap that shows bolts and washers within the post support.

OPEN mode

Suitable where re-tightening of bolts is needed after installation, or where larger tolerance is needed when fastening bolts.



Place the post support cap to open to reveal the gaps showing internal bolts and washers.



Slide timber to post support



Install 2x VUEBOLT or appropriate M12 bolts fastened with hex nuts

INSTALLATION NOTES:

- Method 1 is suitable for installation where a larger fixing tolerance is needed. Ensure that concrete bolt is fixed with the small washer sitting on top of the large washer.
- Method 2 is suitable for installation where precise and strong post support fixing is needed.
- Method 3 is suitable for installation where high fixing strength of post support is necessary. Ensure that concrete bolt is fixed with the small washer sitting on top of the large washer.

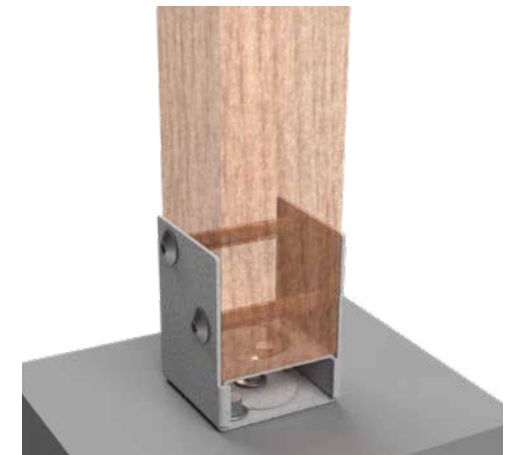
DESIGN CAPACITY DATA

Table 46: Design capacities for Tradies Bolt Down Post Support

Load Case	Design Capacity, N _{dj} (kN)		
	JD3	JD4	JD5
Uplift capacity	10.3	8.3	7.2

NOTES:

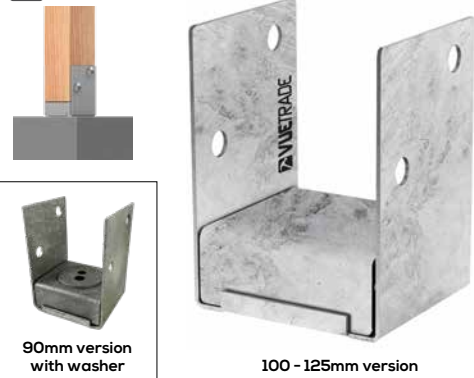
- Design Capacity in Table 46 applies to VUETRADE Tradies Bolt Down Post Supports where 2x M12 bolts are installed and tightly fastened with nuts through saddles.
- Design capacity for post supports bolted to concrete assume that there is sufficient anchorage in the concrete to resist the pull-out force imposed by wind loading.
- Timber post dimensions must have minimum dimensions of 90mm by 90mm section and shall be installed flat to the base of the post support.
- Design capacities in Table 46 are for forces in the vertical direction (wind uplifts) only and are obtained under test conditions defined in AS1649-2001 - *Timber - Methods of test for mechanical fasteners and connectors* & uplift capacity requirements outlined in AS1720.1-2010 - *Timber structures, Part 1: Design methods*.
- VUETRADE Post Supports should only be used to resist wind uplift / dead load as specified in the TDS and should not be assumed to provide lateral stability. Sufficient bracing should be provided and approved by a structural engineer for lateral stability.
- Design capacity of post support may be limited by the withdrawal tensile capacity of concrete bolts used to fasten post support to concrete ground. Ensure that suitable concrete bolts are used for above design capacity to be valid.



GALVANISED BOLT DOWN POST SUPPORTS



 **BOLTED TO CONCRETE**



90mm version with washer

100 - 125mm version

APPLICATION

Bolt Down Post Supports are connectors ideal for strong, concealed bolting of timber posts onto concrete bases.

SPECIFICATION

VUETRADE Galvanised Bolt Down Post Supports are manufactured out of G300 steel with a plate thickness of 3mm (90 and 100mm Bolt Downs) or 4mm (rest of range), and corrosion protected with Hot-Dipped Galvanised as per requirements in AS/NZS 4680:2006.

FASTENERS

Saddle: 2x Zinc-Nickel Coated VUEBOLT or appropriate M12 bolts with hex nuts

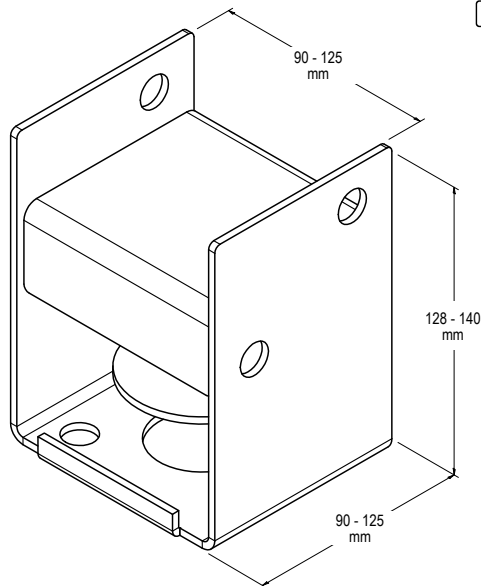
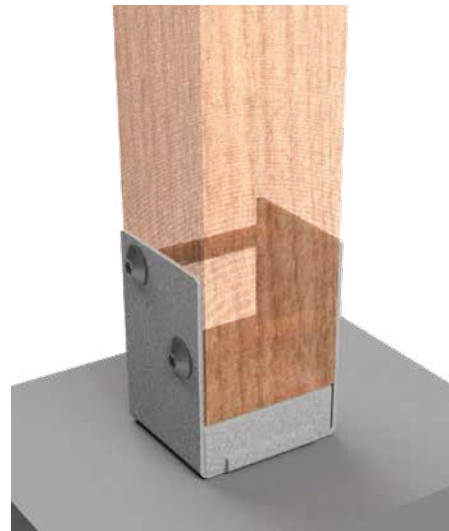
Base: 2 / 4x M12 concrete bolts or equivalent in specified bolt holes *

* Stirrup Size 125mm will have 4x bolt holes in base.

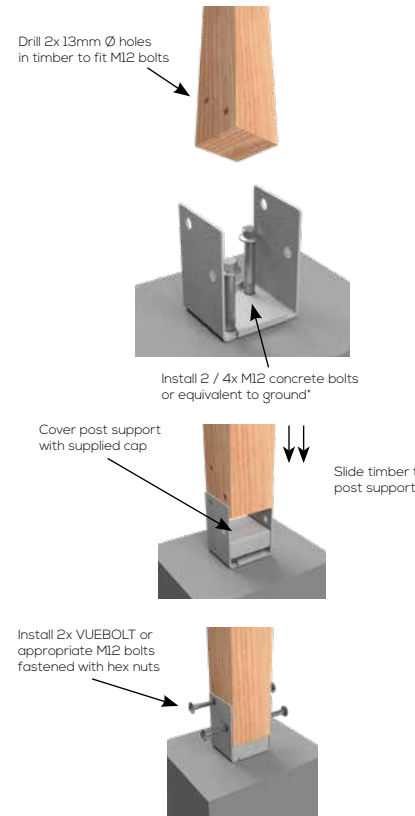
SIZES

Product Code	Stirrup Size (mm)	Saddle & Base Thickness (mm)	Box Qty
VBPS90	90	3	10
VBPS100	100	3	10
VBPS115	115	4	10
VBPS125	125	4	10
VBPS100BK *	100	3	10

* BLACKOUT Bolt Down Post Supports are manufactured in 3.0mm steel, corrosion protected with Hot-Dipped Galvanised and then black powder coated.

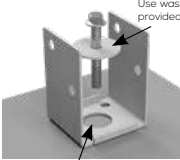


INSTALLATION GUIDE AND BOLT FIXING SCHEDULE



- NOTES:**
1. Ensure that suitable M12 concrete bolts are used when bolting post support to ground.
 2. VUEBOLT may be used as an alternative to standard M12 bolts when fixing post support to timber posts for a concealed and smooth finish.

***ALTERNATIVE METHOD FOR 90mm**



3. The Alternative Method for 90mm Bolt Down Post Supports is suitable when a larger tolerance of adjustment is needed after bolt holes are drilled. Washers are used in this fixing type to provide hold down strength to post support.

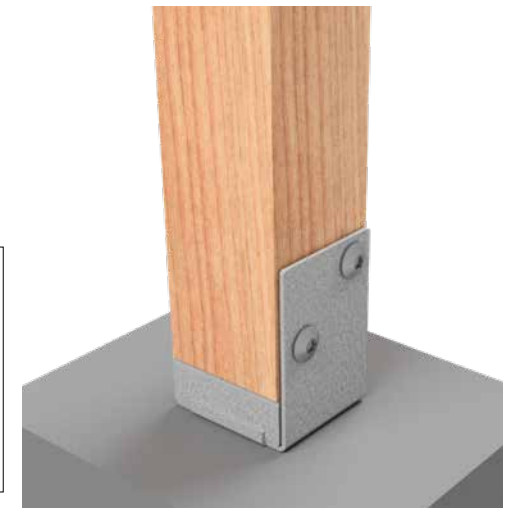
DESIGN CAPACITY DATA

Table 47: Design capacities of Bolt Down Post Support on various timber joint groups

Load Case	Design Capacity, N _{dj} (kN)					
	J3	J4	J5	JD3	JD4	JD5
Uplift capacity	9.4	7.5	6.5	11.8	9.4	8.2

NOTES:

1. Design capacity in Table 47 applies to VUETRADE Post Supports where 2x M12 bolts are installed and tightly fastened with hex nuts.
2. Bolts at the base of the post supports must have sufficient anchorage to resist wind uplift.
3. Timber post dimensions must have a minimum dimension of 90mm by 90mm section.
4. Design capacities in Table 47 are for forces in the vertical direction (wind uplifts) only and are obtained under test conditions defined in AS1649-2001 - *Timber - Methods of test for mechanical fasteners and connectors* & uplift capacity requirements outlined in AS1720.1-2010 - *Timber structures, Part 1: Design methods*.
5. VUETRADE Post Supports should only be used to resist wind uplift / dead load as specified in the TDS and should not be assumed to provide lateral stability. Sufficient bracing should be provided and approved by a structural engineer for lateral stability.
6. Design capacity of post support may be limited by the withdrawal tensile capacity of concrete bolts used to fasten post support to concrete ground. Ensure that suitable concrete bolts are used for above design capacity to be valid.





**GALVANISED T-BLADE
POST SUPPORTS**



**BOLTED TO
CONCRETE**



APPLICATION

VUETRADE Galvanised T-Blade Post Supports are used as a concealed post support on large decorative posts. Its 10 / 12 mm steel thickness throughout the product offers a strong, solid connection to be bolted down onto a concrete base.

SPECIFICATION

VUETRADE Galvanised T-Blade Post Supports are manufactured in 10 or 12mm steel and corrosion protected with Hot Dipped Galvanised as per AS/NZS 4680:2006.

FASTENERS

Saddle: 4x Zinc-Nickel Coated VUEBOLT or appropriate M12 / M16 / M20 bolts with hex nuts*

Base: 4x M12 / M16 / M20 concrete bolts or equivalent*

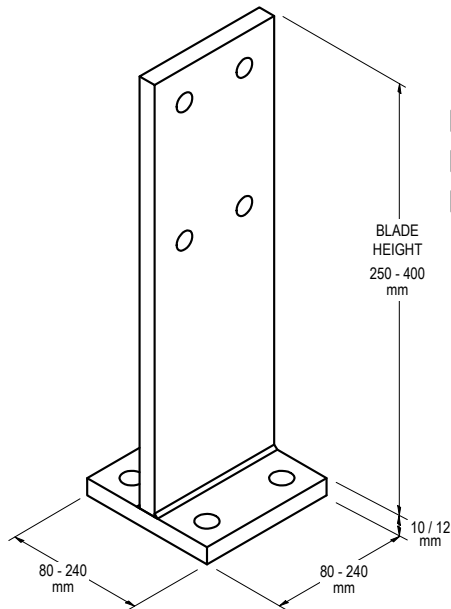
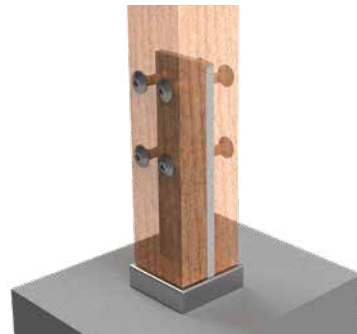
* Based on product size.

PRODUCT SIZES

Table 48: T-Blade Product Sizes

Product Code	Blade Height (mm)	Base Size (mm x mm)	Post Size Suitability (mm)	Bolt Size	Thickness (mm)
VBPTB 90100	250	80 x 80	90 - 100	M12	10
VBPTB 115140	275	110 x 110	115 - 140	M16	10
VBPTB 150180	300	140 x 140	150 - 180	M16	10
VBPTB 180200	350	180 x 180	180 - 250	M16	10
VBPTB 250350	400	240 x 240	250 - 350	M20	12
VBPTB 90100BK *	250	80 x 80	90 - 100	M12	10
VBPTB 115140BK *	275	110 x 110	115 - 140	M16	10
VBPTB 150180BK *	300	140 x 140	150 - 180	M16	10

* BLACKOUT T-Blade Post Supports are manufactured in 10.0mm steel, corrosion protected with Hot-Dipped Galvanised and then black powder coated.



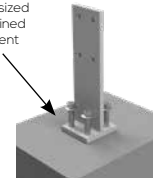
INSTALLATION GUIDE AND BOLT FIXING SCHEDULE

Cut a 10mm or 12mm slit in the middle of timber to height (see note 1)

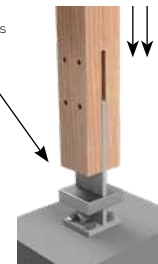


Drill appropriate Ø holes in timber to fit bolts as defined in Table 48.

Install 4x appropriate sized concrete bolts (as defined in Table 48) or equivalent to ground

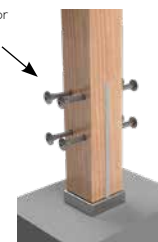


Place a T-Blade cap to hide concrete bolts (see note 2)



Slide timber to T-Blade

Install 4x VUEBOLT or appropriate bolts fastened with hex nuts



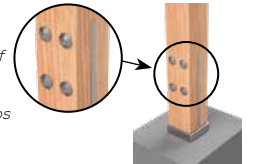
NOTES:

- VUETRADE has prepared a comprehensive cutting schedule for all sizes of T-Blade Post Supports containing precise cutting and drilling measurements. Refer to the VUETRADE website for cutting schedule.
- T-Blade cap sold separately, VUETRADE recommends fitting T-Blade caps on the T-Blade Post Support for a concealed finish.
- VUEBOLT may be used as an alternative to standard bolts when fixing post support to timber posts for a concealed and smooth finish.



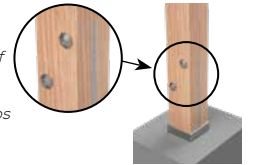
DESIGN CAPACITY DATA

Table 49: Design capacity of T-Blade Post Support fixed with 4x bolts on various timber joint groups



Joint Group	J3	J4	J5	JD3	JD4	JD5
M12 Bolt	47.4	37.7	32.6	57.0	47.4	41.4
M16 Bolt	57.0	57.0	57.0	57.0	57.0	57.0
M20 Bolt	57.0	57.0	57.0	57.0	57.0	57.0

Table 50: Design capacity of T-Blade Post Support fixed with 2x bolts on various timber joint groups



Joint Group	J3	J4	J5	JD3	JD4	JD5
M12 Bolt	23.7	18.8	16.3	29.5	23.7	20.7
M16 Bolt	42.3	33.3	28.8	52.3	42.3	36.7
M20 Bolt	57.0	50.8	42.4	57.0	57.0	57.0

NOTES:

- Design capacities in the above tables may be limited by the withdrawal tensile capacity of concrete bolts used to fasten T-Blade to concrete ground. Ensure that suitable concrete bolts are used for above design capacity to be valid, otherwise reduce design capacities appropriately.
- The design capacity of galvanised T-Blade is capped at 57kN.
- Modification factors k1 for different load cases are adopted from AS17201-2010.
- Design capacities in the above tables are based on Category 1 joints where it is applicable for failures that would be unlikely to affect an area of greater than 25m². For Category 2 and Category 3 joints, design capacities from the table are multiplied by 0.941 and 0.882 respectively.
- VUETRADE Post Supports should only be used to resist wind uplift / dead load as specified in the TDS and should not be assumed to provide lateral stability. Sufficient bracing should be provided and approved by a structural engineer for lateral stability.
- Two bolts may be used instead of four, however strength verification must be conducted by a structural engineer to ensure that the two bolt usage is acceptable.
- If fixing using two bolts, bolts should be fixed using non-adjacent bolt holes (use holes diagonally as shown in figure above).





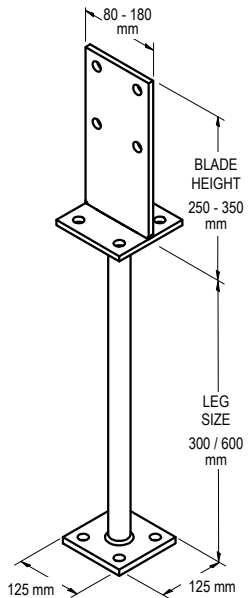
**GALVANISED T-BLADE
POST SUPPORT WITH LEG**



**BOLTED TO
CONCRETE**



**CAST INTO
CONCRETE**



APPLICATION

VUETRADE Galvanised T-Blade Post Supports with Legs are concealed anchors ideal for coastal use, installed by bolting timber posts onto or setting them into concrete.

SPECIFICATION

VUETRADE Galvanised T-Blade Post Supports are manufactured in G300 steel and corrosion protected with Hot Dipped Galvanised.

FASTENERS

Saddle: 4x Zinc-Nickel Coated VUEBOLT or appropriate M12 / M16 bolts with hex nuts*

Base: 4x M12 / M16 concrete bolts or equivalent*

* Based on product size.

SIZES

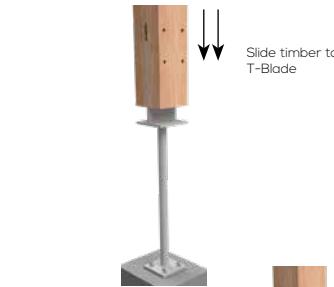
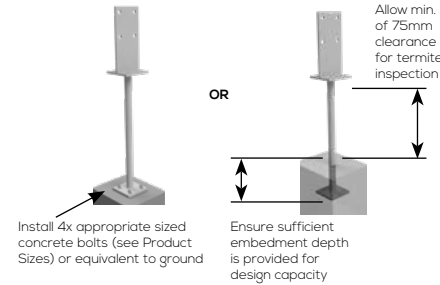
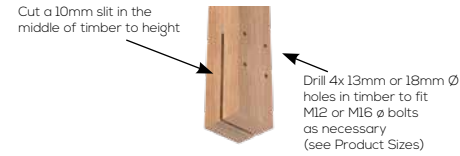
All VUETRADE T-Blade Post Supports with Legs are 10mm in thickness.

Product Code	Blade Height (mm)	Base Size (mm x mm)	Suits Post Size (mm)	Bolt Size	Leg Dimensions (mm)
VHDBLPS 60080	250	80 x 80	90-100	M12	600 x 35Ø
VHDBLPS 600110	275	110 x 110	115-140	M16	600 x 35Ø
VHDBLPS 300140 SOLID	300	140 x 140	150-180	M16	300 x 35Ø
VHDBLPS 600140 SOLID	300	140 x 140	150-180	M16	600 x 35Ø
VHDBLPS 600180	350	180 x 180	180-200	M16	600 x 73Ø

* Custom sizes are also available, refer to the VUETRADE T-Blade Post Support with Leg webpage.



INSTALLATION GUIDE AND BOLT FIXING SCHEDULE



NOTES:

1. Embedment depth of the T-Blade post support should be determined and calculated by a Structural Engineer in order to achieve the reported design load. This usually depends on the type of concrete used, aggregate ratio etc.
2. 75mm clearance must be provided to conform to the requirements set out by AS3660:2014 - Termite management, Part 1: New building work.



DESIGN CAPACITY DATA

Table 51: Design capacity of T-Blade Post Support with Leg fixed with 4x bolts on various timber joint groups

Joint Group	J3	J4	J5	JD3	JD4	JD5
M12 Bolt	47.4	37.7	32.6	57.0	47.4	41.4
M16 Bolt	57.0	57.0	57.0	57.0	57.0	57.0

Table 52: Design capacity of T-Blade Post Support with Leg fixed with 2x bolts on various timber joint groups

Joint Group	J3	J4	J5	JD3	JD4	JD5
M12 Bolt	23.7	18.8	16.3	29.5	23.7	20.7
M16 Bolt	42.3	33.3	28.8	52.3	42.3	36.7

NOTES:

1. The design capacity of Galvanised T-Blade is capped at 57kN. 57kN is the maximum uplift force from the test carried out before the bolt from the base of the grip failed. At this point, there were no signs of failure in the T-Blade except for minor cupping at its base.
2. The capacities were determined based on loads that are acting parallel to the grain of the timber.
3. Modification factors k1 for different load cases are adopted from AS1720.1-2010.
4. Design capacities in the above tables are based on Category 1 joints where it is applicable for failures that would be unlikely to affect an area of greater than 25m². For Category 2 and Category 3 joints, design capacities from the table are multiplied by 0.941 and 0.882 respectively.
5. VUETRADE Post Supports should only be used to resist wind uplift / dead load as specified in the TDS and should not be assumed to provide lateral stability. Sufficient bracing should be provided and approved by a structural engineer for lateral stability.
6. Two bolts may be used instead of four, however strength verification must be conducted by a structural engineer to ensure that the two bolt usage is acceptable.
7. If fixing using two bolts, bolts should be fixed using non-adjacent bolt holes (use holes diagonally as shown in figure above).

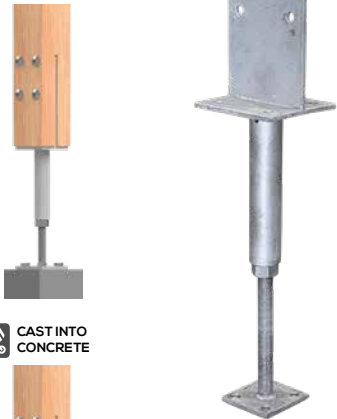




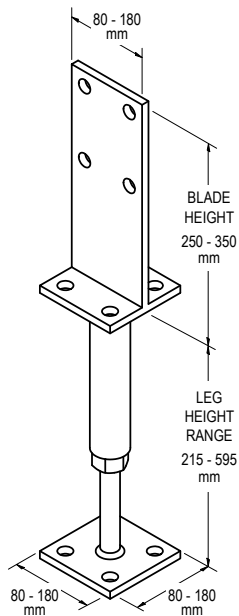
GALVANISED T-BLADE POST SUPPORT WITH ADJUSTABLE LEG



BOLTED TO CONCRETE



CAST INTO CONCRETE



APPLICATION

VUETRADE T-Blade Post Supports with Adjustable Legs are strong, conveniently adjustable connectors ideal for fixing timber posts, by bolting onto or setting into concrete.

SPECIFICATION

VUETRADE Galvanised T-Blade Post Supports are manufactured in G300 steel and corrosion protected with Hot Dipped Galvanised.

FASTENERS

Saddle: 4x Zinc-Nickel Coated VUEBOLT or appropriate M12 / M16 bolts with hex nuts*

Base: 4x M16 concrete bolts or equivalent

* Based on product size.

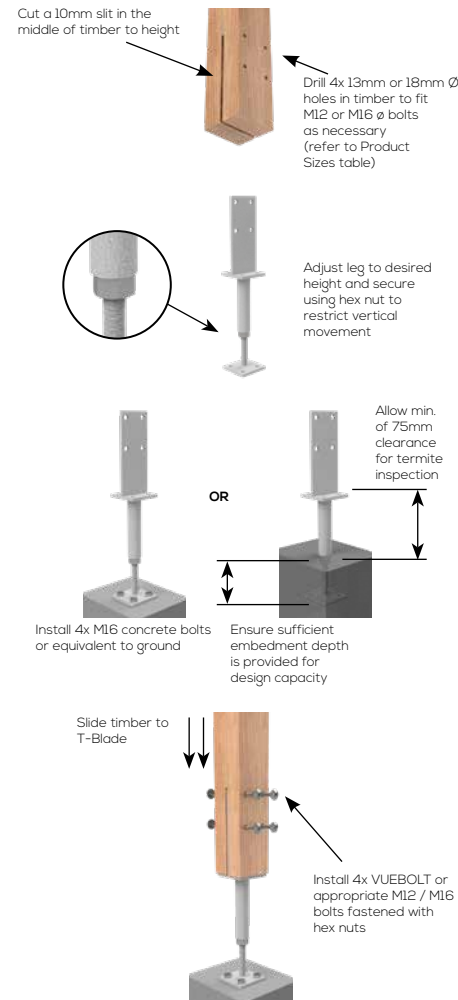
SIZES

All VUETRADE T-Blade Post Supports with Adjustable Legs are 10mm in thickness.

Product Code	Blade Height (mm)	Base Size (mm x mm)	Suits Post Size (mm)	Blade Bolt Size	Leg Height Range (mm)
VHDTRTB 90100	250	80 x 80	90-100	M12	215 - 365
VHDTRTB 115140	275	110 x 110	115-140	M16	250 - 420
VHDTRTB 150180	300	140 x 140	150-180	M16	275 - 475
VHDTRTB 180200	350	180 x 180	180-200	M16	335 - 595



INSTALLATION GUIDE AND BOLT FIXING SCHEDULE



NOTES:

1. Embedment depth of the T-Blade post support should be determined and designed by a Structural Engineer in order to achieve the reported design load. This usually depends on the type of concrete used, aggregate ratio etc.
2. 75mm clearance must be provided to conform to the requirements set out by AS3660.1:2014 - Termite management, Part 1: New building work.

DESIGN CAPACITY DATA

Table 53: Design capacity of T-Blade Post Support with Adjustable Leg fixed with 4x bolts on various timber joint groups

Joint Group	JD3	JD4	JD5
M12 Bolt	57.0	47.4	41.4
M16 Bolt	57.0	57.0	57.0

Table 54: Design capacity of T-Blade Post Support with Adjustable Leg fixed with 2x bolts on various timber joint groups

Joint Group	JD3	JD4	JD5
M12 Bolt	29.5	23.7	20.7
M16 Bolt	52.3	42.3	36.7

NOTES:

1. Design capacities in the above tables may be limited by the withdrawal tensile capacity of concrete bolts used to fasten the T-Blade post support to concrete ground. Ensure that suitable concrete bolts are used for above design capacity to be valid, otherwise reduce design capacities appropriately.
2. The design capacity of Galvanised T-Blade with Adjustable Leg is capped at 57kN.
3. Design dead loads and live load will be governed by the capacity of timber post. However at no condition that the threaded T-blade Post Support should have dead loads and live loads exceeding 37kN.
4. Modification factors k1 for different load cases are adopted from AS17201-2010.
5. Design capacities in the above tables are based on Category 1 joints where it is applicable for failures that would be unlikely to affect an area of greater than 25m². For Category 2 and Category 3 joints, design capacities from the table are multiplied by 0.941 and 0.882 respectively.
6. VUETRADE Post Supports should only be used to resist wind uplift / dead load as specified in the TDS and should not be assumed to provide lateral stability. Sufficient bracing should be provided and approved by a structural engineer for lateral stability.
7. Two bolts may be used instead of four, however strength verification must be conducted by a structural engineer to ensure that the two bolt usage is acceptable.
8. If fixing using two bolts, bolts should be fixed using non-adjacent bolt holes (use holes diagonally as shown in figure above).



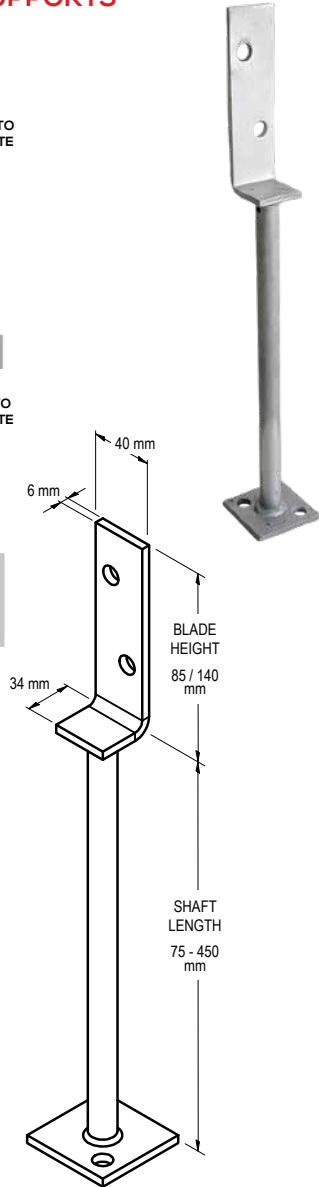
**GALVANISED L-STIRRUP
POST SUPPORTS**



**BOLTED TO
CONCRETE**



**CAST INTO
CONCRETE**



APPLICATION

L Stirrup Post Supports are strong connectors ideal for fixing timber joists and stair stringers, setting into concrete.

SPECIFICATION

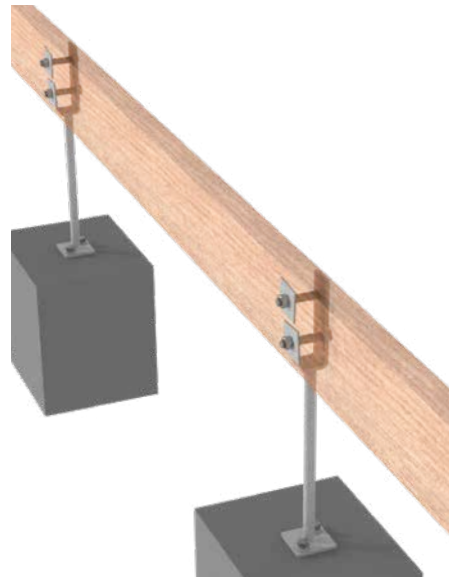
VUETRADE Galvanised L Stirrup Post Supports are manufactured in 6.0mm thick G300 steel and corrosion protected with Hot-Dipped Galvanised.

FASTENERS

- Saddle:** 2x appropriate M12 bolts with washers and hex nuts
- Base:** 2x M12 concrete bolt or equivalent

SIZES

Product Code	Blade Height (mm)	Shaft Length (mm)	Box Qty
VLSPS7585	85	75	10
VLSPS12585	85	125	10
VLSPS30085	85	300	10
VLSPS45085	85	450	10
VLSPS300140	140	300	10
VLSPS450140	140	450	10



INSTALLATION GUIDE AND BOLT FIXING SCHEDULE

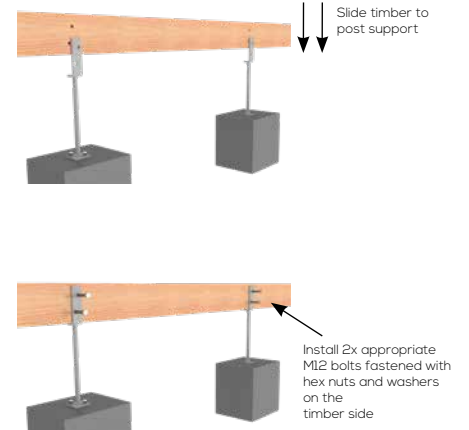
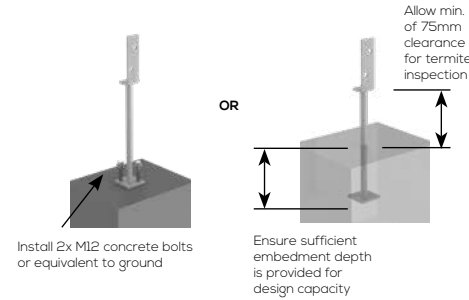
DESIGN CAPACITY DATA

Table 55: Design Capacity of L Stirrup Post Supports in different joint groups

Load Case	Design Capacity, N _{dj} (kN)					
	J3	J4	J5	JD3	JD4	JD5
Uplift capacity	3.9	2.5	1.7	5.6	4.1	3.0

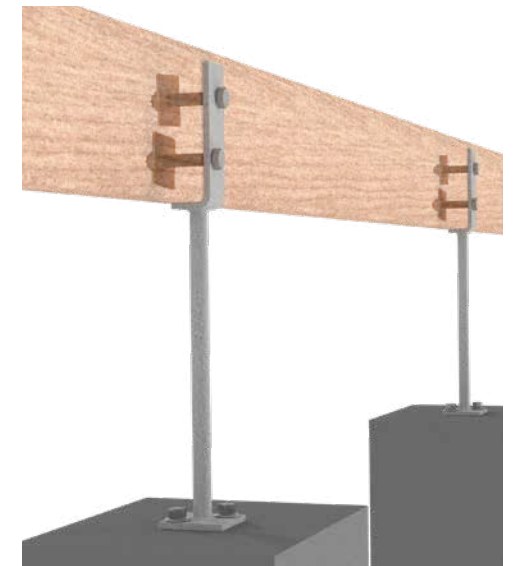
NOTES:

- Design capacity in Table 55 applies to VUETRADE Post Supports where 2x appropriate M12 bolts tightly fastened with hex nuts and washers on the timber side are installed.
- Design capacities for post supports bolted or cast into concrete assumed that there is sufficient anchorage in the concrete to resist the pull-out force imposed by wind loading.
- Design capacities in the above table are for wind uplift (vertical force direction) only and are obtained under strict in-house test conditions defined by AS1649-2001 - Timber - Methods of test for mechanical fasteners and connectors & uplift capacity requirements outlined in AS1720.1-2010 - Timber structures, Part 1: Design methods.
- VUETRADE Post Supports should only be used to resist wind uplift / dead load as specified in the TDS and should not be assumed to provide lateral stability. Sufficient bracing should be provided and approved by a structural engineer for lateral stability.



NOTES:

- Embedment depth of VUETRADE Post Support should be determined and calculated by a Structural Engineer to achieve the reported design load. This usually depends on the type of concrete used, aggregate ratio etc.
- Washers used with bolts shall adhere to the minimum required size stipulated in AS1720.1 Table 4.11 and are used on the timber side only.
- 75mm clearance must be provided to conform to the requirements set out by AS3660.1:2014 - Termite management, Part 1: New building work.





Timber Connectors Compliance Data



GALVANISED ANT CAPS



SIZES

Product Code	Size (mm)	Flange Size	Details
VAC10025	100 x 100	25mm	With Hole
VAC10025NH	100 x 100	25mm	No Hole
VAC10050	100 x 100	50mm	With Hole
VAC10050NH	100 x 100	50mm	No Hole
VAC12525	125 x 125	25mm	With Hole
VAC12525NH	125 x 125	25mm	No Hole
VAC12550	125 x 125	50mm	With Hole
VAC12550NH	125 x 125	50mm	No Hole
VAC23050NH	230 x 230	50mm	No Hole
VAC23011550NH	230 x 115	50mm	No Hole

AS3660.1:2014 TERMITE MANAGEMENT PART 1: NEW BUILDING WORK

Material Specifications on Galvanised Ant Caps

- Minimum thickness of 0.5mm.
- Steel shall be galvanised in accordance to AS/NZS4680:2006 with zinc and coating class of at least Z275.

Design Specifications

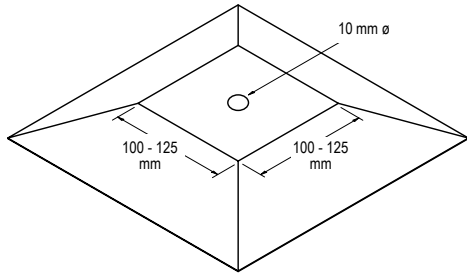
- The ant cap shall have a plane surface of size and shape to fully cover the top of the post.
- The ant cap shall project on all sides so that no edge shall be less than 40mm from the vertical face of the wall when the edges are turned down at an angle from the horizontal face. (i.e. flange size should be more than 40mm)
- Ensure that correct ant cap materials are used in appropriate corrosion exposure zones to minimise corrosion attack. For high corrosion exposure zones, Stainless Steel ant caps are recommended.
- Ensure that Ant Cap does not come in contact with other components of building work where electrolytic corrosion may occur and induce accelerated corrosion, i.e. Galvanised Ant Cap should not come in contact with a Stainless Steel frame.

APPLICATION

VUETRADE Galvanised Ant Caps provide a barrier between supporting timber, metal or masonry stumps / bases and floor timbers; and are specifically for use in areas where termites invade and degrade timber construction.

SPECIFICATION

VUETRADE Galvanised Ant Caps are manufactured using G300 Z275 material with a thickness of 0.5mm.



Timber Connectors Compliance Data



GALVANISED R2 BRICK VENEER TIES

APPLICATION

VUETRADE Brick Veneer Ties function as a means of joining the cavity of wall frames and brickwork together and are often installed during construction. Brick Ties are important in the stability of a building.

They are suitable for use with TIMBER FRAMES only.

LIGHT DUTY WITH NAILS



SPECIFICATION

VUETRADE Light Duty Brick Veneer Ties are rated as light duty conforming to AS2699.1:2020 and AS3700:2018.

- Cavity Width** 50mm
- Usage** 10km or further from breaking surf, or 1km or further to sheltered coastal
- Fixing** Use only the supplied VUETRADE 30mm x 3.2mm Ø Galvanised Fixing Nail

MEDIUM DUTY WITH SCREWS



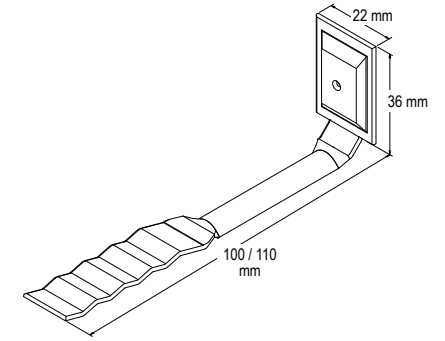
SPECIFICATION

VUETRADE Medium Duty Brick Veneer Ties are rated as medium duty conforming to AS2699.1:2020 and AS3700:2018.

- Cavity Width** 50mm
- Usage** 10km or further from breaking surf, or 1km or further to sheltered coastal
- Fixing** Use only the supplied VUETRADE 30mm x 4.5mm Ø Galvanised Fixing Screw

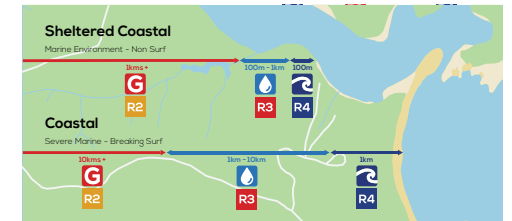
DETAILS

Product Code	Material	Durability Classification	Box Qty
VBTLDR2	Z600 Galv.	R2	150
VBTMDR2	Z600 Galv.	R2	150



DURABILITY CLASSIFICATION

10km or further from breaking surf, or 1km or further to sheltered coastal



The suitability of brick ties in different environmental conditions can be determined by reading off the specification area chart based on the type of environment and the distance where the brick ties will be used.

It is important to use the recommended brick tie classification to reduce the risk of brick tie corrosion that may affect the overall structure integrity.

Note: VUETRADE does not cover corrosion protection on heavy industrial areas as additional or highly specific requirements may be required.

For more information see Page I66.



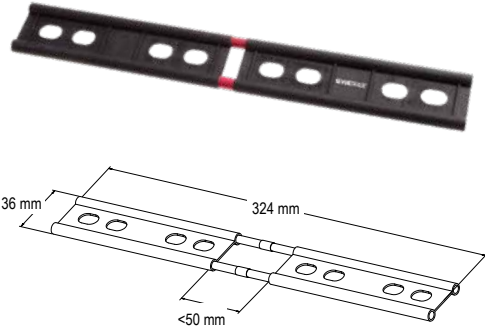


Timber Connectors Compliance Data



GALVANISED DOUBLE SLEEVE EXPANSION TIES

G R2



APPLICATION

VUETRADE Double Sleeve Expansion Ties are a rod tie designed for vertical expansion joints. The rods have a plastic casing on each end which is laid into either side of the construction joint allowing movement.

SPECIFICATION

Bar Diameter: 5.5mm
Material: G300 corrosion protected to 350g/m²
Sleeve: Polypropylene

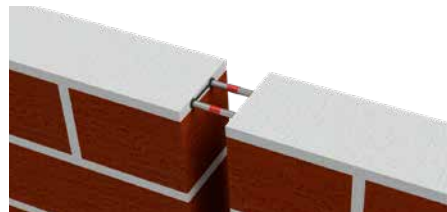
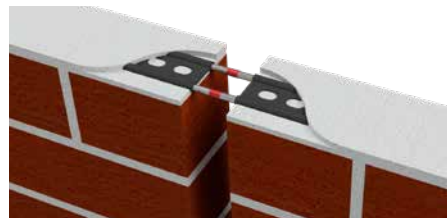
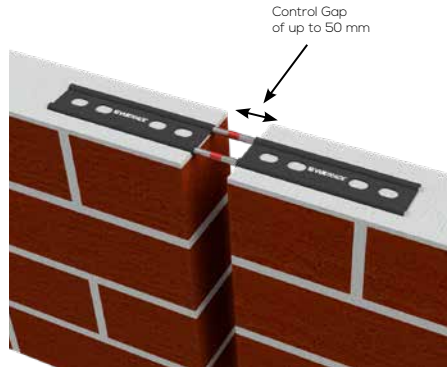
DURABILITY

VUETRADE Double Sleeve Expansion Ties complies with the durability classification of AS2699.1:2020 as follow:

VTDSG (Galvanised): Durability classification R2

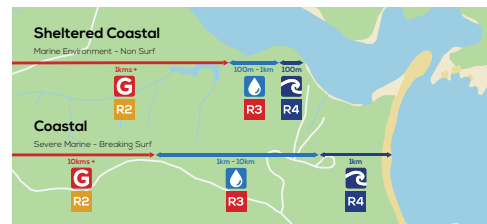
SIZES

Product Code	Maximum Control Gap	Durability Classification	Box Qty
VTDSG	50mm	R2	50



R2 DURABILITY CLASSIFICATION

10km or further from breaking surf,
or 1km or further to sheltered coastal



The suitability of brick ties in different environmental conditions can be determined by reading off the specification area chart based on the type of environment and the distance where the brick ties will be used.

It is important to use the recommended brick tie classification to reduce the risk of brick tie corrosion that may affect the overall structure integrity.

Note: VUETRADE does not cover corrosion protection on heavy industrial areas as additional or highly specific requirements may be required.

For more information see Page 166.

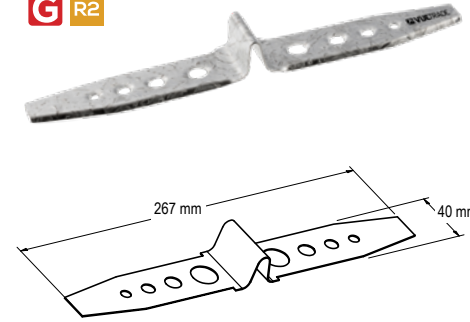


Timber Connectors Compliance Data



GALVANISED EXPANSION TIES

G R2



APPLICATION

VUETRADE Expansion Ties features two ends with holes designed to hold in bed joints and a pre-bent middle section to provide a 10-20mm control gap during construction to accommodate for expansions.

SPECIFICATION

Material: G300
Corrosion protection: Z600

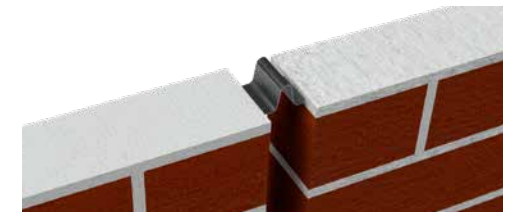
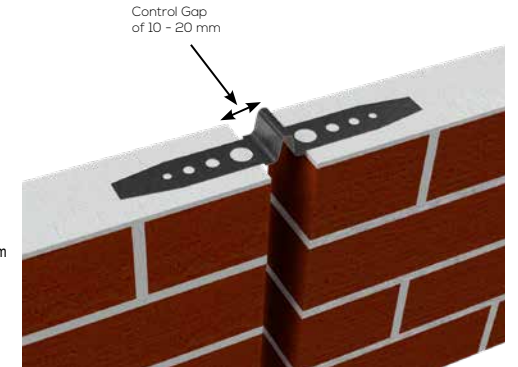
DURABILITY

VUETRADE Expansion Ties are manufactured in Z600 Galvanised Steel which gives a durability classification of R2 as per AS2699.1:2020.

This classification allows the Expansion Ties to be used no closer than 10km to surf coast, or 1km to sheltered coast. VUETRADE Expansion Ties are tested and are compliant to AS2699.2:2020.

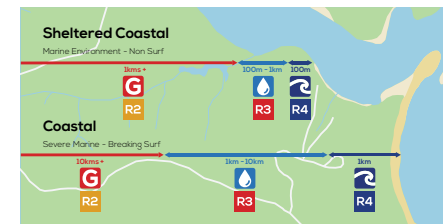
SIZES

Product Code	Maximum Control Gap	Durability Classification	Box Qty
VTEXTG	20mm	R2	60



R2 DURABILITY CLASSIFICATION

10km or further from breaking surf,
or 1km or further to sheltered coastal



The suitability of brick ties in different environmental conditions can be determined by reading off the specification area chart based on the type of environment and the distance where the brick ties will be used.

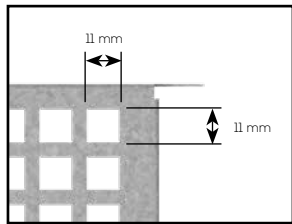
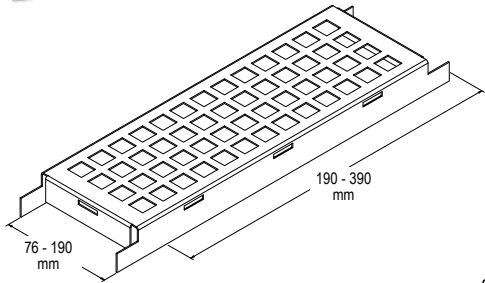
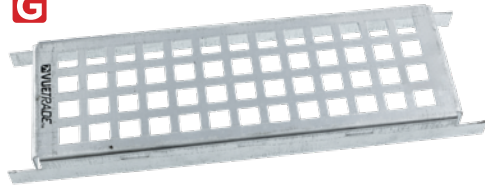
It is important to use the recommended brick tie classification to reduce the risk of brick tie corrosion that may affect the overall structure integrity.

Note: VUETRADE does not cover corrosion protection on heavy industrial areas as additional or highly specific requirements may be required.

For more information see Page 166.



**GALVANISED SUB FLOOR
PUNCHED GRID VENTS**



APPLICATION

VUETRADE Sub Floor Punched Grid Vents provide ventilation in brick and block walls. These vents are designed to be inserted into the wall during masonry construction. In areas that are prone to bush fires, anti-spark mesh panel insert is also available to a rating of BAL-40.

SPECIFICATION

VUETRADE Sub Floor Punched Grid Vents are manufactured in G300 Z275 material with a thickness of 0.8mm.

- Material:** G300 Z275 Galvanised Steel
- Hole Size:** 11mm by 11mm (See figure below)
- Air Flow:** Refer to table below

SIZES

Product Code	Size (mm)	Air Flow (mm ²)	Box Qty
VTSFV230X76	230 x 76	6 178	20
VTSFV230X76SLIM	230 x 76	7 615	20
VTSFV230X160	230 x 160	13 901	20
VTSFV190X90	190 x 90	6 535	20
VTSFV190X190	190 x 190	14 376	20
VTSFV390X90	390 x 90	13 663	20
VTSFV390X190	390 x 190	30 059	20
VTSFV230X76BK *	230 x 76	6 178	20

*BLACKOUT Sub Floor Punched Grid Vents are manufactured from G300 Z275 galvanised steel in 0.8mm thickness with black powder coating.



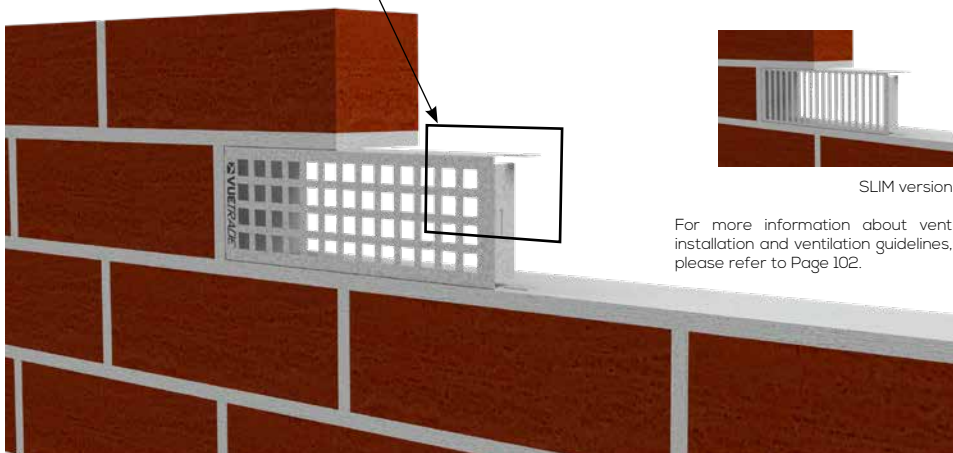
ANTI SPARK MESH PANEL INSERTS

- Material:** Stainless Steel 316
- Wire diameter:** 0.9mm
- Aperture:** 1.64mm
- BAL Rating:** Up to and including BAL-40 (40kW/m²)

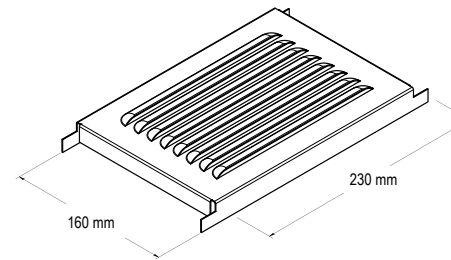


SLIM version

For more information about vent installation and ventilation guidelines, please refer to Page 102.



**GALVANISED SUB FLOOR
LOUVRED VENTS**



APPLICATION

VUETRADE Louvred Vents function as a means of providing natural ventilation primarily in masonry construction. Often installed during brick laying at the subfloor level, these vents:

1. Allow free air space to remove moisture in wall cavities and subfloor spaces;
2. Remove condensation that may corrode timber/masonry connectors i.e. wall ties, expansion ties etc.

SPECIFICATION

- Steel Material:** G300 Steel
- Corrosion protection:** Z275 in accordance to AS1397:2021
- Thickness:** 0.8mm

SIZES & AIR FLOW AREA

Product Code	Size (mm)	Air Flow (approx.)	Box Qty
VTSFL230X160	230 x 160	5 480 mm ²	10

For more information about vent installation and ventilation guidelines, please refer to Page 102.

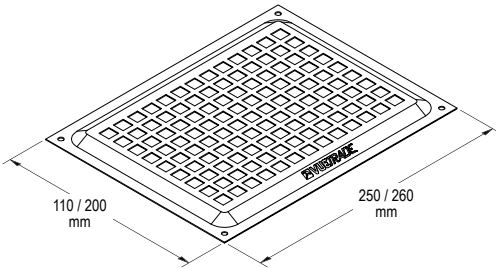




Timber Connectors Compliance Data



GALVANISED FLAT FACED PUNCHED VENTS



APPLICATION

VUETRADE Flat Faced Punched Grid vents are face fixed vents that provide efficient ventilation in applications that require air flow, removing moisture in floor joist and wall cavities, regulating temperature and dehumidification purposes. Sufficient ventilation should be provided during construction, either in the subfloor level or wall cavities, to minimise the risk of corrosion attack on connector products and to prevent mould build-up due to trapped moisture and condensation.

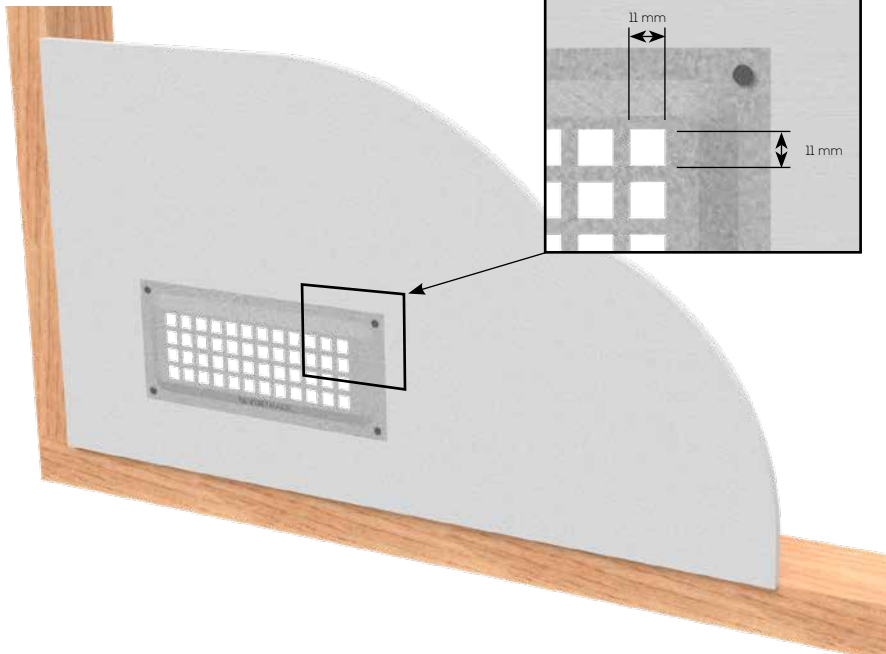
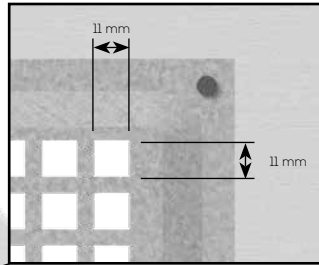
SPECIFICATION

Steel Material	G300 Steel
Corrosion protection	Z275 in accordance to AS1397:2021
Thickness	0.8mm
Hole Size	11mm by 11mm

SIZES & AIR FLOW AREA

Product Code	Size (mm)	Air Flow (approx.)	Box Qty
VTFF250X110	250 x 110	5 808 mm ²	20
VTFF260X200	260 x 200	14 157 mm ²	20

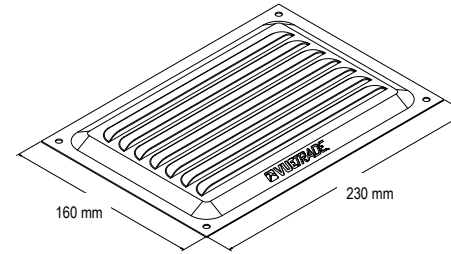
For more information about vent installation and ventilation guidelines, please refer to Page 102.



Timber Connectors Compliance Data



GALVANISED FLAT FACED LOUVRED VENTS



APPLICATION

VUETRADE Flat Faced Louvred Vents function as a means of providing natural ventilation primarily in masonry construction. Usually installed after brickwork is complete, these vents:

1. Allow free air space to remove moisture in wall cavities and subfloor spaces;
2. Remove condensation that may corrode timber/masonry connectors i.e. wall ties, expansion ties etc.

SPECIFICATION

Steel Material	G300 Steel
Corrosion protection	Z275 in accordance with AS1397:2021
Thickness	0.8mm

SIZES & AIR FLOW AREA

Product Code	Size (mm)	Air Flow (approx.)	Box Qty
VTFFLS230X160	230 x 160	5 480 mm ²	20

For more information about vent installation and ventilation guidelines, please refer to Page 102.





**SUBFLOOR VENTILATION SIZE:
RECOMMENDED PRACTICE IN ACCORDANCE WITH THE
NATIONAL CONSTRUCTION CODE (NCC) 2022**

The National Construction Code 2022 specifies that all subfloors shall be fitted with ventilation to allow air flow in the subfloor spacing area. The code recommends that the subfloor punched vent be installed in accordance to the climatic zone shown in Figure 6.2.1a from ABCB Housing Provisions of the NCC 2022 below.

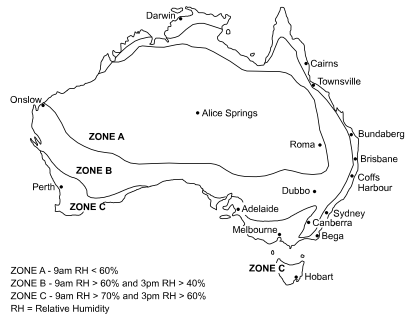


Figure 6.2.1a - Climatic zones based on relative humidity (Source: ABCB Housing Provisions, NCC 2022)

© Commonwealth of Australia and the States and Territories 2022, published by the Australian Building Codes Board.

Table 6.2.1a: Subfloor openings

Climatic zone	Minimum aggregate subfloor ventilation with no membrane (mm ² /m of wall)	Minimum aggregate subfloor ventilation openings with ground sealed with impervious membrane (mm ² /m of wall)
A	2000	1000
B	4000	2000
C	6000	3000

© Commonwealth of Australia and the States and Territories 2022, published by the Australian Building Codes Board.

The minimum required sub-floor ventilation per linear metre of wall is recommended in Table 6.2.1a in the ABCB Housing Provisions of the NCC 2022 to allow sufficient air flow within the subfloor space.

Taking an example of using the VUETRADE Subfloor Punched Vent 230 x 76mm (VTSFV230X76) on an 8m length wall on the ground with no membrane in Zone C of the climatic zone chart, the number of vents required as per NCC 2022 can be calculated as follows,

- Airflow of Punched Vent 230mm x 76mm: 6178mm²
- Calculate the total ventilation area required on the wall based on NCC 2022 minimum requirement based on desired wall length (8m in this example) = 8m x 6000mm²/m = 48000mm²
- Number of vents required (8m length wall) = Total ventilation area (mm²)/Air flow area of one vent (mm²) = 48000mm²/6178mm² = 7.76 ≈ 8 vents (rounded up)

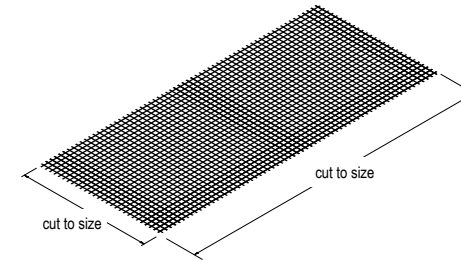
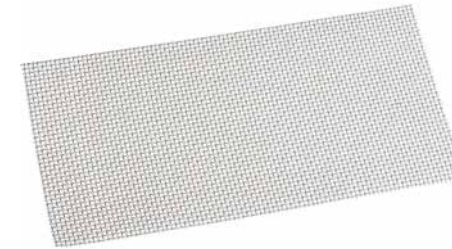
INSTALLATION GUIDE (BASED ON NCC 2022)

The vents shall then be installed in even spacing along the length of the wall and no more than 600mm in from the corner. In areas which are prone to bushfire attack up to and including BAL-40, anti-spark stainless steel wire mesh shall be installed in the vent to prevent entry of ember or wind carried burning debris into the house through the subfloor vent. It is advisable to ensure the minimum ventilation requirement is met as the anti-spark wire mesh may restrict the total airflow required for ventilation.

NOTE:

The above guide serves as a design guide based on the National Construction Code 2022. Consult a qualified engineer or architect to ensure sufficient ventilation is provided for subfloor spacing, adhering to applicable local building codes and Australian Standards.

ANTI SPARK MESH



APPLICATION

VUETRADE Anti Spark Mesh provides protection against ember attack in areas that are susceptible to bushfires. The mesh is for use in many applications such as protecting windows, covering weepholes, roof vents, gutters and doors.

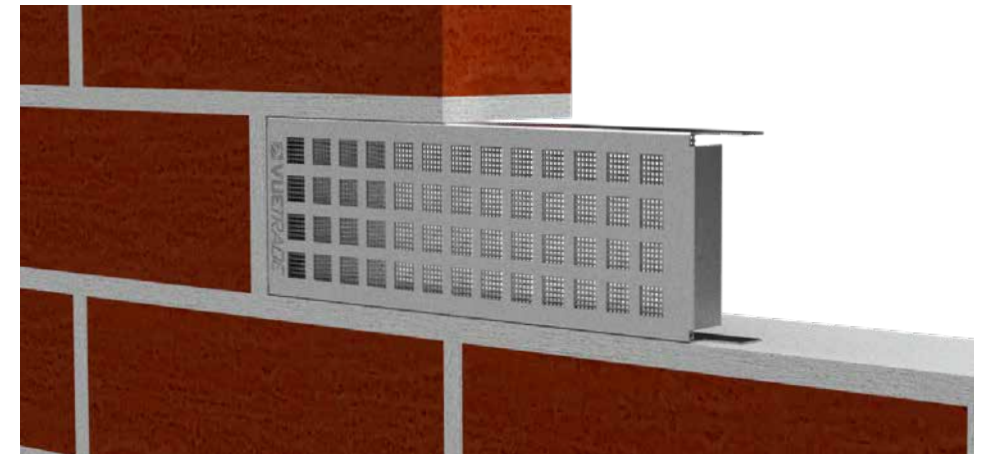
SPECIFICATION

VUETRADE Anti Spark Mesh is manufactured in Stainless Steel 316 to ensure corrosion resistance, with wire diameter of 0.9mm forming a maximum aperture of 1.64mm.

VUETRADE Anti Spark Mesh complies to the Australian Standard AS 3959:2018 - 'Construction of Building in Bush fire-prone Areas' where the mesh is to be made of corrosion resistant steel with maximum aperture of 2mm in exposure up to and including BAL 40 (40kW/m²).

- Wire diameter:** 0.9mm
- Aperture:** 1.64mm
- BAL Rating:** Up to and including BAL-40 (40kW/m²)

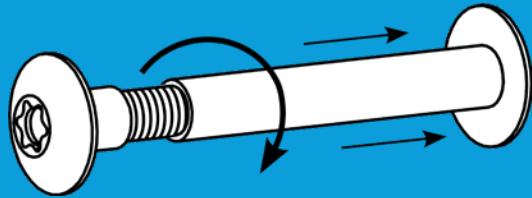
For more information about vent installation and ventilation guidelines, please refer to Page 102.



Mesh used within a Sub Floor Vent



VUEBOLT



Also known as the post support bolt, the VUEBOLT truly shines in its ease of use and clean finish when being used to secure a timber post.

Available in Zinc-Nickel Coated and Stainless Steel 316 to suit the needs of your project.

Designed for structural applications.

Sizes to suit from 90 to 360mm

Due to the increasing popularity to use VUEBOLTS for various timber-to-timber connections, there now is a wide range of sizes that allow to suit any size of connection from 90mm right up to 360mm.

BLACKOUT version available

A black powder coated head version is available for the VUEBOLT for a refined black finish in visible locations where a metal finish would suit less.

Multiple timber sizes with one bolt

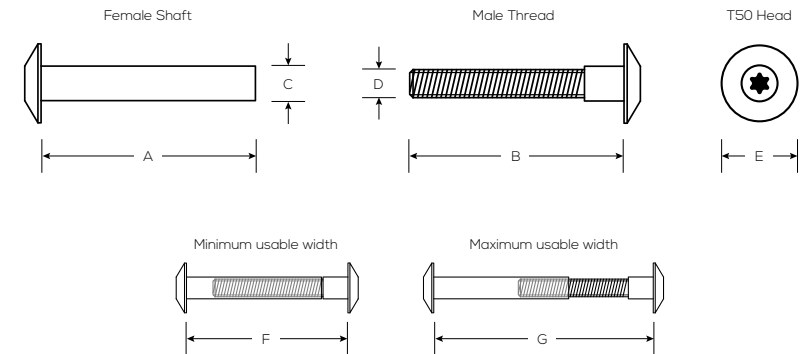
Each VUEBOLT has a range of timber sizes that it has been tested and rated for use.

At any time within its working range, the centre axis between the two heads has an equal amount of male and female thread to the centre component to meet strict mechanical requirements.

Zinc-Nickel Coated is not the same as Zinc Plated

Zinc-nickel plating is significantly stronger than the corrosion resistance of conventional zinc plating.

Zinc-nickel plating uses an average of 14% nickel and 86% zinc to provide a substantial improvement in general corrosion protection when compared to solely zinc coating.



	A	B	C	D	E	F	G
M10 x 90 - 110mm	65mm	65mm	10.5mm Ø	M8 Internal Thread	24mm Ø	90mm	110mm
M12 x 90 - 110mm	65mm	65mm	12.5mm Ø	M10 Internal Thread	24mm Ø	90mm	110mm
M12 x 110 - 150mm	85mm	85mm	12.5mm Ø	M10 Internal Thread	24mm Ø	110mm	150mm
M16 x 110 - 150mm	85mm	85mm	16.5mm Ø	M12 Internal Thread	32mm Ø	110mm	150mm
M16 x 150 - 230mm	125mm	125mm	16.5mm Ø	M14 Internal Thread	30mm Ø	150mm	230mm
M20 x 230 - 360mm	205mm	205mm	20.5mm Ø	M16 Internal Thread	38mm Ø	230mm	360mm

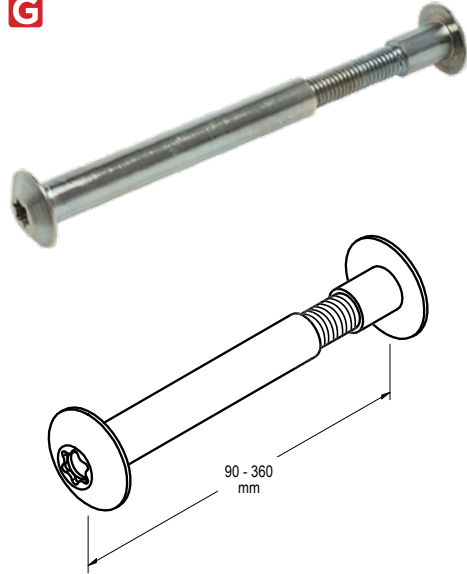


Scan here

To see the VUEBOLT on the VUETRADE website



ZINC-NICKEL COATED VUEBOLT



SIZES

Table 56: Available VUEBOLT sizes

Product Code	Working length (mm)	Diameter (mm)	Pack Qty
VUEBOLT90110	90 – 110mm	M10	2
VUEBOLT90110HD	90 – 110mm	M12	2
VUEBOLT110150	110 – 150mm	M12	2
VUEBOLT110150HD	110 – 150mm	M16	2
VUEBOLT150230	150 – 230mm	M16	2
VUEBOLT230360	230 – 360mm	M20	1
VTX50 - VUEBOLT Torx Wrench T50			2
VUEBOLT90110HDBK *	90 – 110mm	M12	2
VUEBOLT110150HDBK *	110 – 150mm	M16	2
VUEBOLT150230BK *	150 – 230mm	M16	2

* BLACKOUT VUEBOLTS are manufactured in zinc-nickel coated carbon steel and the dome heads are black powder coated.

APPLICATION

VUEBOLT features a male and female bolt working together as a complete system, providing a quick, neat and concealed finish. Upon installation, the concealed feature leaves an unobstructed finish on both end of post supports or timber.

The VUEBOLT serves as an alternative to:

- Cup Head Bolts
- Hex Head Bolts
- Coach Bolts
- Star Drive Bolts;

and is quick and easy to install using the T50 Wrenches as part of the VUEBOLT system.

SPECIFICATION

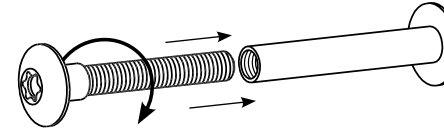
VUEBOLTS are manufactured from high quality carbon steel in accordance to Australian Standard AS1111:2015 / ISO 898-1 (same standard of property class 4.6)

As the VUEBOLT features a two-part system (male and female bolt), it is designed and tested to conform to the mechanical properties of a range of metric hexagon bolts of a similar size. Further details on the mechanical strength of the VUEBOLT will be specified in following section of technical data.



INSTALLATION GUIDE

VUEBOLTS can be used in a wide range of applications where fastening between two members is required. For this document, an installation guide will be focused primarily on the usage of the VUEBOLT on a standard T-Blade Post Support.

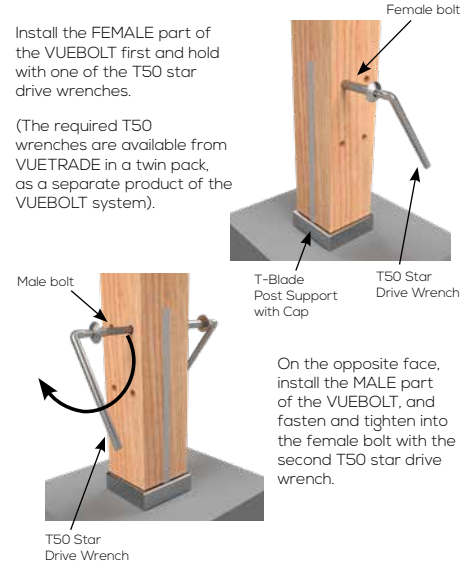


VUEBOLT - T-BLADE POST SUPPORT

Select a suitable bolt size for the application. Refer to Table 56 above for recommended working width and select the suitable size.

Install the FEMALE part of the VUEBOLT first and hold with one of the T50 star drive wrenches.

(The required T50 wrenches are available from VUETRADE in a twin pack, as a separate product of the VUEBOLT system).



IMPORTANT: The bolts MUST be used in the designated size range, i.e. VUEBOLT 90110 must be used in working width of 90mm to 110mm. This is to ensure that there will be sufficient amount of thread between the male and female bolts to meet the minimum working strength.

VUEBOLT shall be installed such that the female bolts are always installed on the thickest member of the joint to minimise effect of stress concentration on VUEBOLT leading to shear failure.

DESIGN SPECIFICATION

VUEBOLT is designed carefully to meet the requirements of the following Australian Standards and ISO standards:

- ISO 898-1 & AS1111:2015 - Mechanical properties and material specification
- AS1684.2:2021 / AS1684.3:2021 - Corrosion protection requirements
- ISO 724 - Metric thread dimensions
- ISO 4042:2018 - Electroplating specification of Zinc-Nickel alloy
- ISO 10664 - Design criteria of 6 shaped hexalobular driving head
- AS4100:2020 - Bolt strength limit state

DESIGN CAPACITIES (PERFORMANCE-BASED CAPACITIES)

As the VUEBOLT is a unique bolt that behaves differently from a conventional hex head bolt, the design capacities designated for the VUEBOLT are treated as performance-based, obtained from lab testing results conducted in-house by VUETRADE following testing requirements outlined by ISO 898-1 *Mechanical properties of fasteners made of carbon steel and alloy steel, Part 1: Bolts, screws and studs with specified property classes - Coarse thread and fine pitch thread.*

Table 57: VUEBOLT Design Capacities

Product	Working Bolt diameter	Tensile Strength, (kN)	Shear Strength (kN)
VUEBOLT 90 – 110	M10	11.7	12.3
VUEBOLT 90 – 110 HD	M12	16.2	19.6
VUEBOLT 110 – 150	M12	16.2	19.6
VUEBOLT 110 – 150 HD	M16	25.9	28.7
VUEBOLT 150 – 230	M16	25.9	28.7
VUEBOLT 230 – 360	M20	40.0	50.0

NOTES:

1. A mechanical properties comparison between VUEBOLTS and standard hex bolts should not be compared as VUEBOLTS behave as a 2-parts system consisting of a female and male bolt screwed together. Mechanical properties of VUEBOLTS specified in this document should be consulted.
2. Technical data of VUEBOLTS may subject to constant updates on mechanical properties and corrosion protection rating.

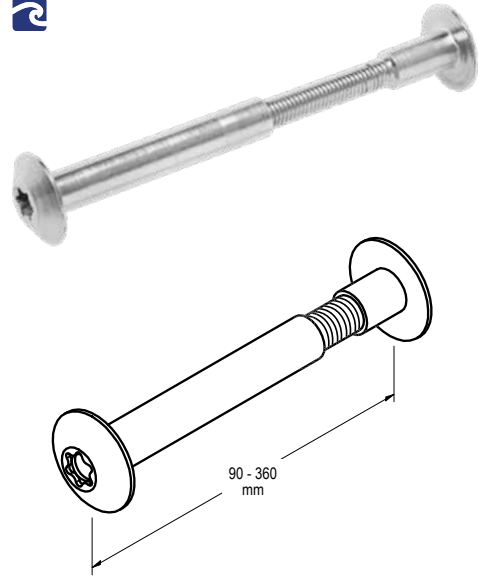
CORROSION PROTECTION

VUEBOLT is corrosion protected with zinc electro-galvanizing to meet the requirements set out by AS1111:2015 / ISO 898-1. VUEBOLT meets and exceeds the corrosion protection requirements outlined in AS1684.2:2021 – *Residential timber-framed construction*, Clause 1.15.





STAINLESS STEEL VUEBOLT



APPLICATION

VUEBOLT features a male and female bolt working together as a complete system, providing a quick, neat and concealed finish. Upon installation, the concealed feature leaves an unobstructed finish on both end of post supports or timber.

The VUEBOLT serves as an alternative to:

- Cup Head Bolts
- Hex Head Bolts
- Coach Bolts
- Star Drive Bolts;

and is quick and easy to install using the T50 Wrenches as part of the VUEBOLT system.

SPECIFICATION

VUEBOLTS are manufactured from high quality carbon steel in accordance to Australian Standard AS1111:2015 / ISO 898-1 (same standard of property class 4.6)

As the VUEBOLT features a two-part system (male and female bolt), it is designed and tested to conform to the mechanical properties of a range of metric hexagon bolts of a similar size. Further details on the mechanical strength of the VUEBOLT will be specified in following section of technical data.

SIZES

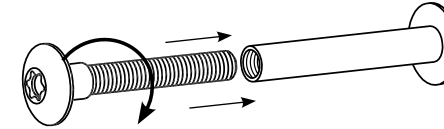
Table 58: Available Stainless Steel VUEBOLT sizes

Product Code	Working length (mm)	Diameter (mm)	Pack Qty
VUEBOLT90110SS	90 - 110mm	M10	2
VUEBOLT90110HDSS	90 - 110mm	M12	2
VUEBOLT110150SS	110 - 150mm	M12	2
VUEBOLT110150HDSS	110 - 150mm	M16	2
VUEBOLT150230SS	150 - 230mm	M16	2
VUEBOLT230360SS	230 - 360mm	M20	1
VTX50 - VUEBOLT Torx Wrench T50			2



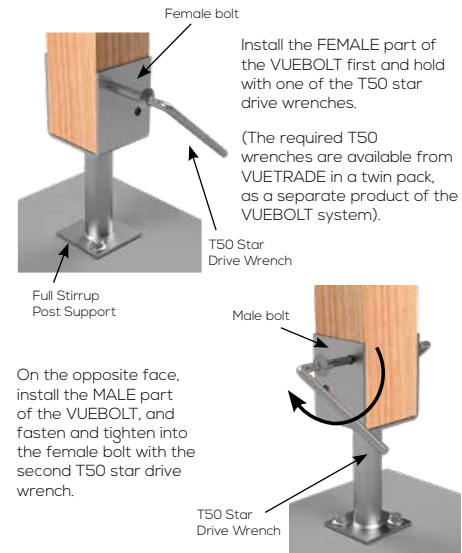
INSTALLATION GUIDE

VUEBOLTS can be used in a wide range of applications where fastening between two members is required. For this document, an installation guide will be focused primarily on the usage of the VUEBOLT on a standard Full Stirrup Post Support.



VUEBOLT - FULL STIRRUP POST SUPPORT

Select a suitable bolt size for the application. Refer to Table 58 above for recommended working width and select the suitable size.



IMPORTANT: The bolts MUST be used in the designated size range, i.e. VUEBOLT 90110 must be used in working width of 90mm to 110mm. This is to ensure that there will be sufficient amount of thread between the male and female bolts to meet the minimum working strength.

VUEBOLT shall be installed such that the female bolts are always installed on the thickest member of the joint to minimise effect of stress concentration on VUEBOLT leading to shear failure.

DESIGN SPECIFICATION

VUEBOLT is designed carefully to meet the requirements of the following Australian Standards and ISO standards:

- ISO 898-1 & AS1111:2015 - Mechanical properties and material specification
- AS1684.2:2021 / AS1684.3:2021 - Corrosion protection requirements
- ISO 724 - Metric thread dimensions
- ISO 4042:2018 - Electroplating specification of Zinc-Nickel alloy
- ISO 10664 - Design criteria of 6 shaped hexalobular driving head
- AS4100:2020 - Bolt strength limit state

DESIGN CAPACITIES (PERFORMANCE-BASED CAPACITIES)

As the VUEBOLT is a unique bolt that behaves differently from a conventional hex head bolt, the design capacities designated for the VUEBOLT are treated as performance-based, obtained from lab testing results conducted in-house by VUETRADE following testing requirements outlined by ISO 898-1 *Mechanical properties of fasteners made of carbon steel and alloy steel, Part 1: Bolts, screws and studs with specified property classes - Coarse thread and fine pitch thread.*

Table 59: Stainless Steel VUEBOLT Design Capacities

Product	Working Bolt diameter	Tensile Strength (kN)	Shear Strength (kN)
VUEBOLT 90 - 110	M10	11.7	12.3
VUEBOLT 90 - 110 HD	M12	16.2	19.6
VUEBOLT 110 - 150	M12	16.2	19.6
VUEBOLT 110 - 150 HD	M16	25.9	28.7
VUEBOLT 150 - 230	M16	25.9	28.7
VUEBOLT 230 - 360	M20	40.0	50.0

NOTES:

1. A mechanical properties comparison between VUEBOLTS and standard hex bolts should not be compared as VUEBOLTS behave as a 2-parts system consisting of a female and male bolt screwed together. Mechanical properties of VUEBOLTS specified in this document should be consulted.
2. Technical data of VUEBOLTS may subject to constant updates on mechanical properties and corrosion protection rating.

CORROSION PROTECTION

VUEBOLT is corrosion protected with Stainless Steel 316 to meet the requirements set out by AS1111:2015 / ISO 898-1.

VUEBOLT meets and exceeds the corrosion protection requirements outlined in AS1684.2:2021 - Residential timber-framed construction, Clause 1.15.





**VUEBRACE STAINLESS STEEL
PUNCHED BUILDER'S STRAPPING**



APPLICATION

VUEBRACE Stainless Steel Builder's Strapping is commonly used for cross-bracing wall panels, roof trusses and flooring members while requiring a much higher corrosion protection.

SPECIFICATION

VUEBRACE Stainless Steel Builder's Strapping is manufactured using 316 Stainless Steel, fully compliant to material and corrosion protection requirements stipulated in AS1684.2:2021, AS1684.3:2021 and AS1684.4-2010.

For further information about this products net sectional area compliance see Page 168.

FASTENERS

Nails: Use only VUETRADE 30mm x 2.8mm Ø Stainless Steel Connector Plate Nails

Usage of galvanised nails with Stainless Steel Builder's Strapping may result in bimetallic corrosion which will reduce the strapping design capacity.

SIZES

Product Code	Size (mm)	Roll length (m)
VB30815SS	30 x 0.8	15
VB30830SS	30 x 0.8	30
VB30115SS	30 x 1.0	15
VB30130SS	30 x 1.0	30

METAL STRAPS – TENSIONED

(Bracing Capacity of 1.5kN/m).
Table 8.18 (b) from AS1684.2:2021 / AS1684.3:2021, as well as AS1684.4-2010 Table 8.3(b)

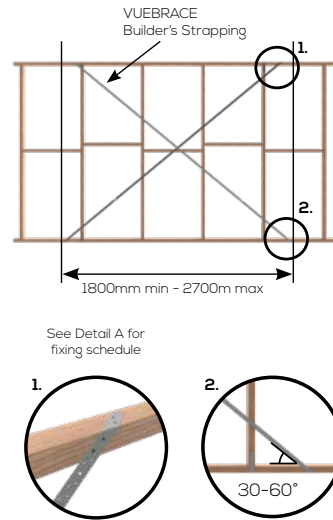
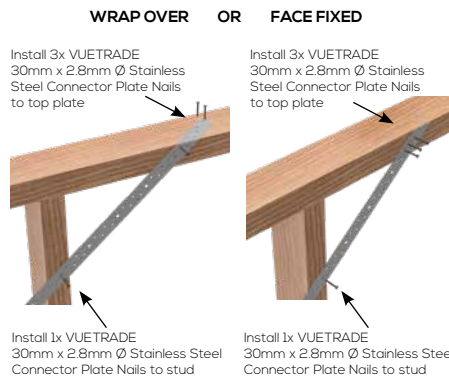


Table 60: Bracing capacity (kN) for different bracing length (m)

Wall height (m)	Bracing Length (m)									
	1.8	1.9	2.0	2.1	2.2	2.3	2.4	2.5	2.6	2.7
2.7	2.7	2.9	3.0	3.2	3.3	3.5	3.6	3.8	3.9	4.1
3.0	2.4	2.6	2.7	2.8	3.0	3.1	3.2	3.4	3.5	3.6

FIXING DETAILS A



METAL STRAPS – TENSIONED – WITH STUD STRAPS

(Bracing Capacity of 3.0kN/m).
Table 8.18(d) from AS1684.2:2021 / AS1684.3:2021, as well as AS1684.4-2010 Table 8.3(d)

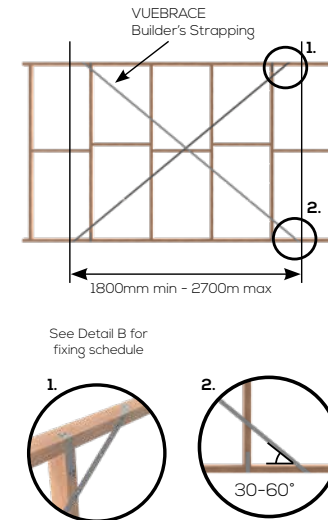
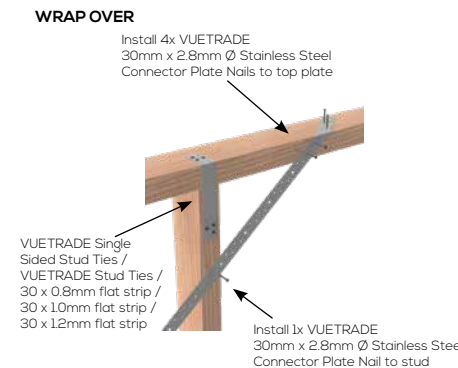


Table 61: Bracing capacity (kN) for different bracing length (m)

Wall height (m)	Bracing Length (m)									
	1.8	1.9	2.0	2.1	2.2	2.3	2.4	2.5	2.6	2.7
2.7	5.4	5.7	6.0	6.3	6.6	6.9	7.2	7.5	7.8	8.1
3.0	4.9	5.1	5.4	5.7	5.9	6.2	6.5	6.8	7.0	7.3

FIXING DETAILS B



BRACING CAPACITY AND HEIGHT MODIFICATION

Values shown in Table 60 & Table 61 above are valid for the wall heights stated. For wall heights greater than 2.7m, the capacity should be multiplied by values in Table 62.

Table 62: Bracing wall capacity / height multiplier

Bracing Wall Capacity / Height Multiplier	
Wall Height, mm	Multiplier
3 000	0.90
3 300	0.80
3 600	0.75
3 900	0.70
4 200	0.64

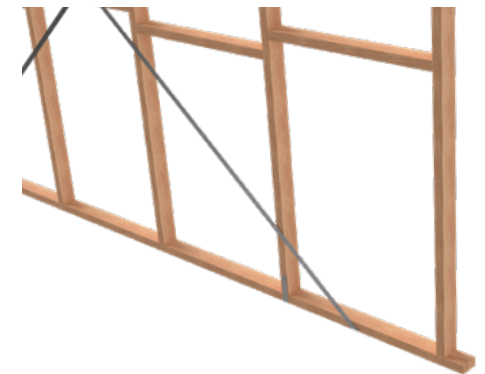
DESIGN CAPACITY DATA

Table 63: Tensile capacities of Stainless Steel Builder's Strapping

Brace Dimensions (Width x Thickness)	Tension Capacities (kN)
30mm x 0.8mm	9.4
30mm x 1.0mm	11.7

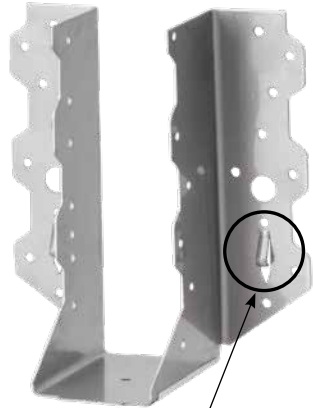
NOTES:

- Design capacities in Table 63 are obtained under test conditions.
- VUETRADE strongly recommends all timber connector products are installed as per the installation instructions on the relevant Technical Data Sheet, using the recommended type and quantity of fasteners.
- It is critical to confirm that any fastening method is in accordance with local building standards. For further information on installation options, refer to the VUETRADE Technical Guidelines on Fastening Methods.

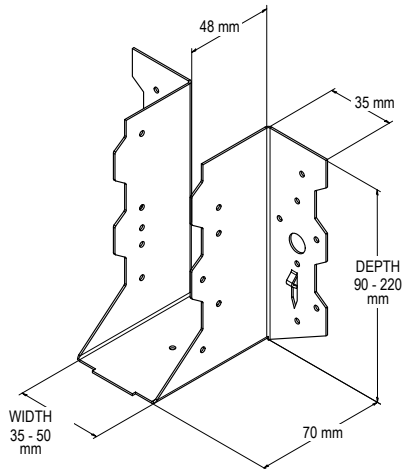




**STAINLESS STEEL
JOIST HANGERS**



VUESPIKES



APPLICATION

VUETRADE Stainless Steel Joist Hangers are a fast fixing, multi-purpose hangers for connecting joists to beams, trusses to beams and roof trusses to girders. The Joist Hangers are manufactured with VUESPIKES for easy and fast installation.

SPECIFICATION

VUETRADE Stainless Steel Joist Hangers are manufactured from 316 Stainless Steel in 1.0 mm thickness (TCT).

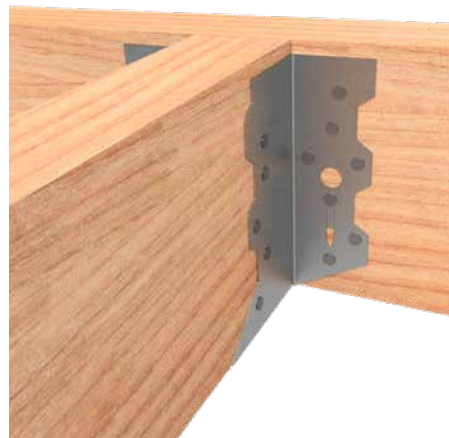
FASTENERS

Nails: Use only VUETRADE 30mm x 2.8mm Ø Stainless Steel Connector Plate Nails

SIZES

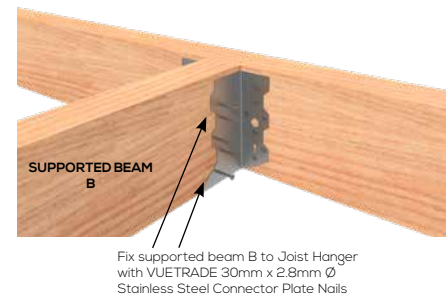
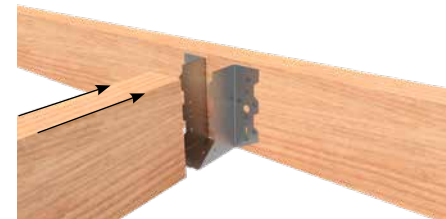
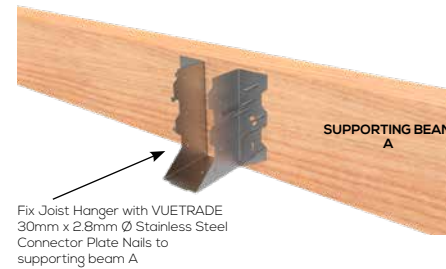
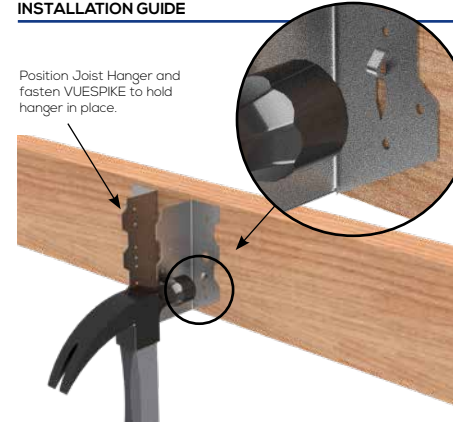
Table 64: Stainless Steel Joist Hanger sizes

Product Code	Nominal Size (mm)	Box Qty
VJH3590SS	35 x 90	45
VJH35120SS	35 x 120	30
VJH35140SS	35 x 140	30
VJH35180SS	35 x 180	30
VJH4590SS	45 x 90	45
VJH45120SS	45 x 120	30
VJH45140SS	45 x 140	30
VJH45180SS	45 x 180	30
VJH45220SS	45 x 220	20
VJH5090SS	50 x 90	45
VJH50120SS	50 x 120	30
VJH50140SS	50 x 140	30
VJH50180SS	50 x 180	30
VJH50220SS	50 x 220	20



INSTALLATION GUIDE

Position Joist Hanger and fasten VUESPIKE to hold hanger in place.



1. Suitable size Joist Hanger shall be selected using Table 64, ensuring sufficient hanger depth is provided for different joist / beam sizes.
2. Joist Hanger should be fixed to the supporting member first. It can be quickly and easily held in place by VUESPIKES before fastening hanger with nails.
3. Fix VUETRADE 30mm x 2.8mm Ø Stainless Steel Connector Plate Nails through Joist Hanger to supporting beam, using the recommended number of nails in Table 65.
4. Install supported beam (usually floor beams / joists) to hangers and fasten supported beams with VUETRADE 30mm x 2.8mm Ø Stainless Steel Connector Plate Nails, using recommended number of nails listed in Table 65.
5. Installation of bolts on Joist Hangers is permitted. Please contact VUETRADE for more information for risks and considerations along with installation guide and design capacities.
6. Usage of galvanised nails with Stainless Steel Joist Hangers may result in bimetallic corrosion which will reduce the joist design capacity.





DESIGN CAPACITY DATA

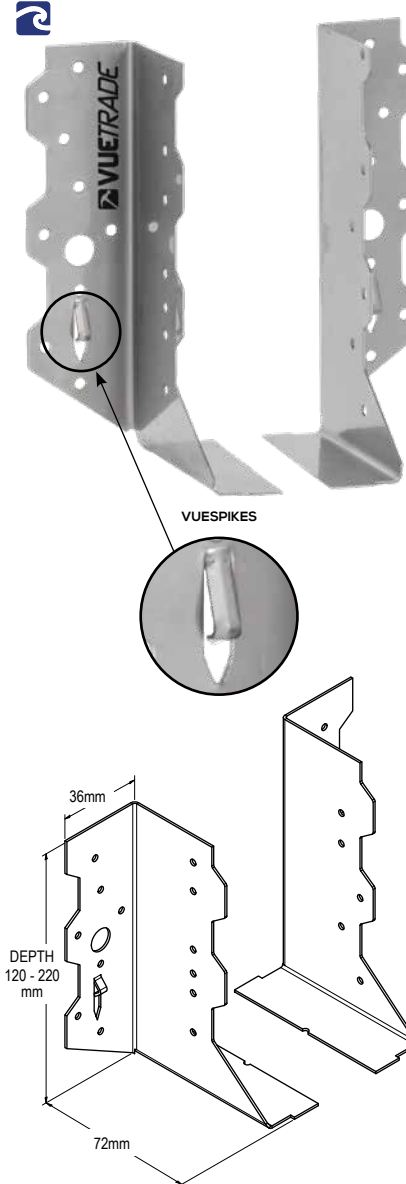
Table 65: Design Capacity data for nail fixing of Stainless Steel Joist Hanger

Sizes	Number of Nails		Type of load	Joint Group					
	Fixing on supporting Beam A	Fixing on supported Beam B		J3	J4	J5	JD3	JD4	JD5
90mm	10	8	Dead Load	3.9	2.7	2.1	5.4	3.9	3.2
			Dead Load + Floor Live Load	4.7	3.3	2.5	6.5	4.7	3.8
			Dead Load + Roof Live Load	5.2	3.7	2.8	7.3	5.2	4.3
			Dead Load + Wind Load	6.2	4.4	3.3	8.7	6.2	5.1
120mm	14	10	Dead Load	4.8	3.4	2.5	7.1	5.0	4.1
			Dead Load + Floor Live Load	5.8	4.1	3.1	8.5	6.1	5.0
			Dead Load + Roof Live Load	6.4	4.5	3.4	9.5	6.8	5.6
			Dead Load + Wind Load	7.7	5.5	4.1	10.8	7.7	6.3
140mm	18	12	Dead Load	5.8	4.1	3.1	8.9	6.4	5.2
			Dead Load + Floor Live Load	7.1	5.0	3.8	10.8	7.7	6.3
			Dead Load + Roof Live Load	7.9	5.6	4.2	12.0	8.6	7.1
			Dead Load + Wind Load	8.6	6.1	4.6	11.4	8.2	6.7
180mm	22	14	Dead Load	6.8	4.8	3.6	10.7	7.7	6.3
			Dead Load + Floor Live Load	8.2	5.8	4.4	13.0	9.3	7.6
			Dead Load + Roof Live Load	9.2	6.5	4.9	14.5	10.3	8.5
			Dead Load + Wind Load	9.1	6.4	4.9	13.9	9.9	8.1
220mm	26	18	Dead Load	7.9	5.6	4.2	12.4	8.9	7.3
			Dead Load + Floor Live Load	9.6	6.8	5.1	15.1	10.8	8.8
			Dead Load + Roof Live Load	10.7	7.5	5.7	16.8	12.0	9.8
			Dead Load + Wind Load	12.6	8.9	6.7	16.0	11.4	9.4

NOTES:

- Modification factors k1 for different load cases in the design capacities of Table 65 are adopted from AS17201-2010.
- Design capacities in Table 65 are based on Category 1 joints where it is applicable for failures that would be unlikely to affect an area of greater than 25m². For Category 2 and Category 3 joints, design capacities from the table are multiplied by 0.941 and 0.882 respectively.
- VUETRADE strongly recommends all timber connector products are installed as per the installation instructions on the relevant Technical Data Sheet, using the recommended type and quantity of fasteners.
- It is critical to confirm that any fastening method is in accordance with local building standards. For further information on installation options, refer to the VUETRADE Technical Guidelines on Fastening Methods.

STAINLESS STEEL
SPLIT JOIST HANGERS



APPLICATION

Stainless Steel Split Joist Hangers are fast fixing, multi-purpose hangers ideal for joist, beam and truss joining in coastal areas, with timber over the width of 50mm, to be installed as a pair.

SPECIFICATION

VUETRADE Stainless Steel Split Joist Hangers are Australian Made, manufactured from 316 Stainless Steel.

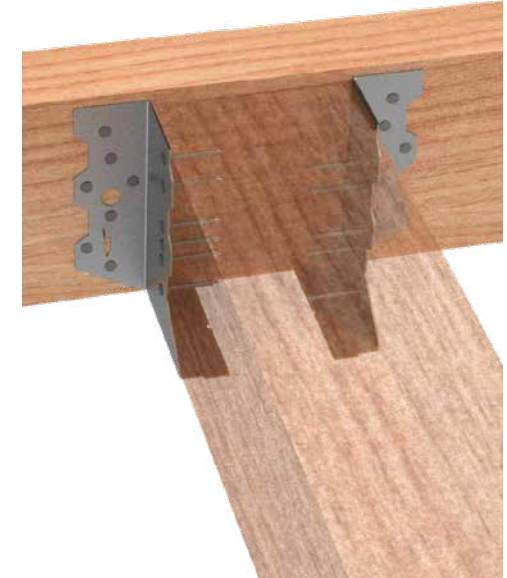
FASTENERS

Nails: Use only VUETRADE 30mm x 2.8mm Ø Stainless Steel Connector Plate Nails.

SIZES

Table 66: Stainless Steel Split Joist Hanger

Product Code	Size (mm)	Box Qty
VSJH120SS	120	30 pairs
VSJH140SS	140	30 pairs
VSJH180SS	180	30 pairs
VSJH220SS	220	20 pairs

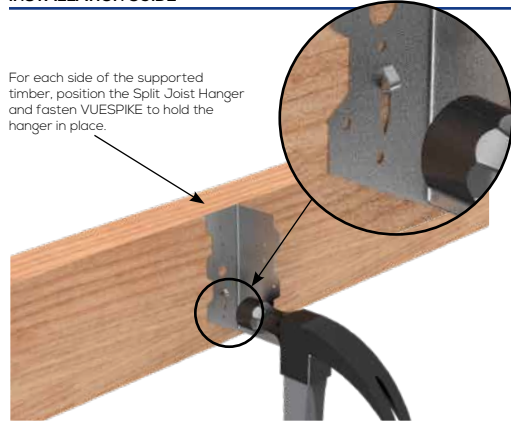


STAINLESS STEEL

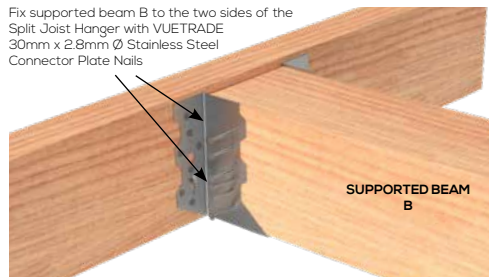
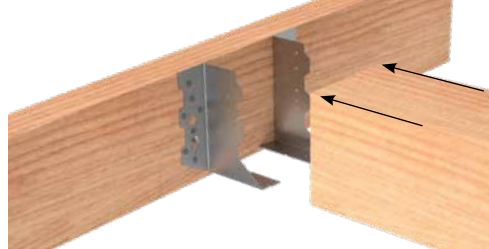
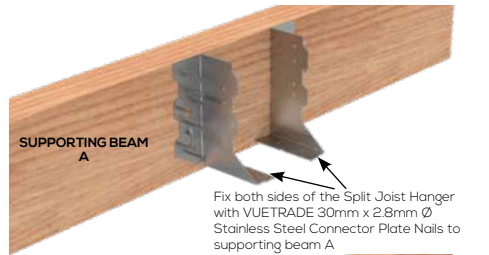




INSTALLATION GUIDE



1. Suitable size Split Joist Hanger shall be selected using Table 66, ensuring sufficient hanger depth is provided for different joist / beam sizes.
2. Both sides of the Split Joist Hanger should be fixed to the supporting member first. It can be quickly and easily held in place by VUESPIKES before fastening hanger with nails.
3. Fix VUETRADE 30mm x 2.8mm Ø Stainless Steel Connector Plate Nails through Split Joist Hanger to supporting beam, using the recommended number of nails in Table 67.
4. Install supported beam (usually floor beams / joists) to hangers and fasten supported beams with VUETRADE 30mm x 2.8mm Ø Stainless Steel Connector Plate Nails, using recommended number of nails listed in Table 67.
5. Usage of galvanised nails with Stainless Steel Split Joist Hangers may result in bimetallic corrosion which will reduce the joist design capacity.



DESIGN CAPACITY DATA

Table 67: Design capacity data for nail fixing of Stainless Steel Split Joist Hanger [used in pairs]

Sizes	Number of Nails		Type of load	Joint Group					
	Fixing on supporting Beam A	Fixing on supported Beam B		J3	J4	J5	JD3	JD4	JD5
120mm	14 (7 on each side)	11 (6 on left, 5 on right)	Dead Load	4.0	2.8	2.1	5.6	4.0	3.3
			Dead Load + Floor Live Load	4.8	3.4	2.6	6.3	4.8	4.0
			Dead Load + Roof Live Load	5.4	3.8	2.9	7.6	5.4	4.4
			Dead Load + Wind Load	8.0	5.7	4.3	11.2	8.0	6.6
140mm	18 (9 on each side)	13 (7 on left, 6 on right)	Dead Load	4.7	3.3	2.5	6.6	4.7	3.8
			Dead Load + Floor Live Load	5.7	4.0	3.0	7.9	5.7	4.6
			Dead Load + Roof Live Load	6.3	4.5	3.4	8.8	6.3	5.2
			Dead Load + Wind Load	9.4	6.6	5.0	13.1	9.4	7.7
180mm	22 (11 on each side)	15 (8 on left, 7 on right)	Dead Load	5.4	3.8	2.9	7.5	5.4	4.4
			Dead Load + Floor Live Load	6.5	4.6	3.5	9.1	6.5	5.3
			Dead Load + Roof Live Load	7.2	5.1	3.9	10.1	7.2	5.9
			Dead Load + Wind Load	10.7	7.6	5.7	15.0	10.7	8.8
220mm	26 (13 on each side)	17 (9 on left, 8 on right)	Dead Load	6.0	4.3	3.2	8.4	6.0	4.9
			Dead Load + Floor Live Load	7.3	5.2	3.9	10.2	7.3	6.0
			Dead Load + Roof Live Load	8.1	5.7	4.3	11.4	8.1	6.7
			Dead Load + Wind Load	12.0	8.5	6.4	15.8	12.0	9.9

NOTES:

1. Design capacities in Table 67 are for VUETRADE 30mm x 2.8mm Ø Stainless Steel Connector Plate Nails only. Design capacities are determined based on the number of nails in each Split Joist Hanger.
2. Modification factors k1 for different load cases are adopted from AS1720.1-2010.
3. Design capacities in the Table 67 are based on Category 1 joints where it is applicable for failures that would be unlikely to affect an area of greater than 25m². For Category 2 and Category 3 joints, design capacities from the table are multiplied by 0.941 and 0.882 respectively.
4. Stainless Steel Split Joist Hanger capacities are capped at 15.8kN for steel failure.
5. VUETRADE strongly recommends all timber connector products are installed as per the installation instructions on the relevant Technical Data Sheet, using the recommended type and quantity of fasteners.
6. It is critical to confirm that any fastening method is in accordance with local building standards. For further information on installation options, refer to the VUETRADE Technical Guidelines on Fastening Methods.



Timber Connectors Compliance Data

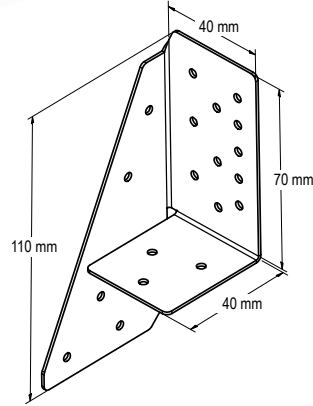
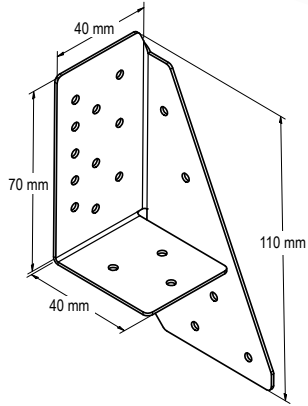


STAINLESS STEEL TRIPLE GRIPS



VTTGLHSS

VTTGRHSS



APPLICATION

Stainless Steel Triple Grips are multipurpose building brackets used in many nail-fixed timber joints with perpendicular angles, ideal for use on the coast.

SPECIFICATION

VUETRADE Stainless Steel Triple Grips are manufactured from 316 Stainless Steel in 1.0mm thickness.

FASTENERS

Nails: Use only VUETRADE 30mm x 2.8mm \emptyset Stainless Steel Connector Plate Nails

Recommended numbers of nails per bracket / joint are shown in the next section.

Note: Triple grips shall be hand driven, usage of nail guns and machine-driven nails is strictly NOT recommended.

SIZES

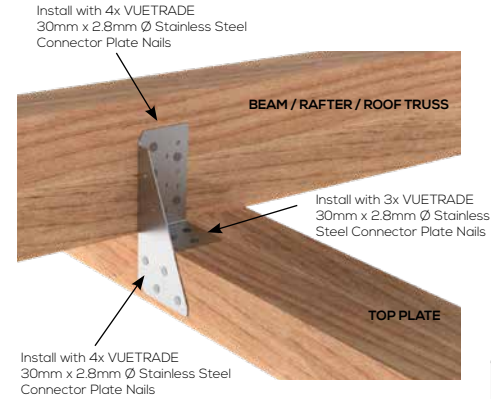
Product Code	Description	Box Qty
VTTGLHSS	Left Hand	100
VTTGRHSS	Right Hand	100



Timber Connectors Compliance Data



INSTALLATION GUIDE



1. Use only VUETRADE 30mm x 2.8mm \emptyset Stainless Steel Connector Plate Nails when installing Stainless Steel Triple Grip.
2. Install nails through designated holes, do not drive nails through sheet material.
3. Usage of galvanised nails with Stainless Steel Triple Grips may result in bimetallic corrosion which will reduce the grip design capacity.

DESIGN CAPACITY DATA

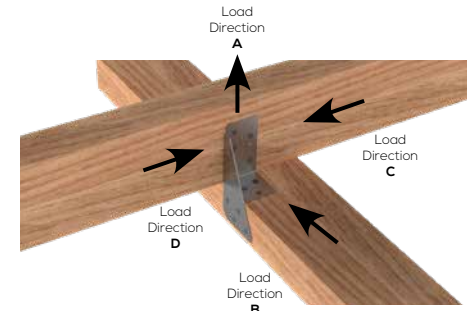


Table 68: Design capacities for dead loads

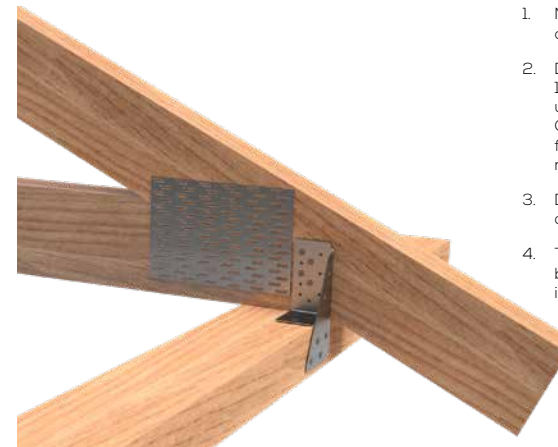
Load Directions	Design Capacity for Timber Joint Groups, kN					
	J3	J4	J5	JD3	JD4	JD5
A	1.5	1.1	0.8	2.2	1.5	1.3
B	2.7	1.9	1.4	3.8	2.7	2.2
C/D	1.5	1.1	0.8	2.2	1.5	1.3

Table 69: Design Capacity for wind uplifts:

Load Directions	Design Capacity for Timber Joint Groups, kN					
	J3	J4	J5	JD3	JD4	JD5
A	3.1	2.2	1.7	4.3	3.1	2.5
B	5.4	3.8	2.9	7.6	5.4	4.4
C/D	3.1	2.2	1.7	4.3	3.1	2.5

NOTES:

1. Modification factors k1 for different load cases are adopted from AS1720.1-2010.
2. Design capacities in the tables are based on Category 1 joints where it is applicable for failures that would be unlikely to affect an area of greater than 25m². For Category 2 and Category 3 joints, design capacities from the table are multiplied by 0.941 and 0.882 respectively.
3. Design capacity for different load directions is shown in diagram above
4. To achieve greater design capacity, two Triple Grips may be used for a connection or more nails may be installed into the pre-bored holes.

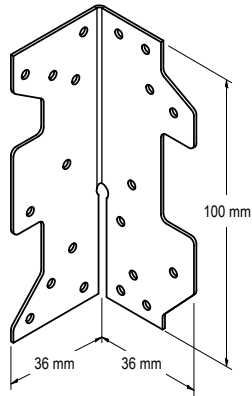




Timber Connectors Compliance Data



STAINLESS STEEL MULTI GRIPS



APPLICATION

VUETRADE Stainless Steel Multi Grips are general purpose timber framing brackets used for joining timber members at right angles. These brackets can be used on pergolas, timber rails, fences and general joinery fit-out.

SPECIFICATION

VUETRADE Stainless Steel Multi Grips are manufactured from 316 Stainless Steel in 1.0mm thickness.

FASTENERS

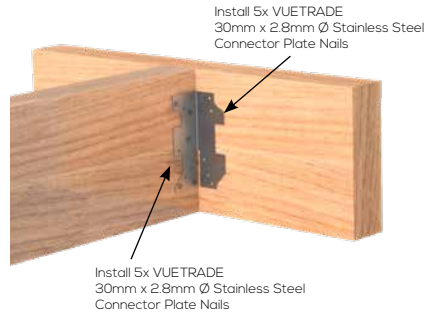
Nails: Use only VUETRADE 30mm x 2.8mm \emptyset Stainless Steel Connector Plate Nails

SIZES

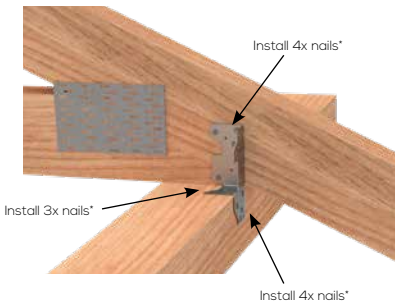
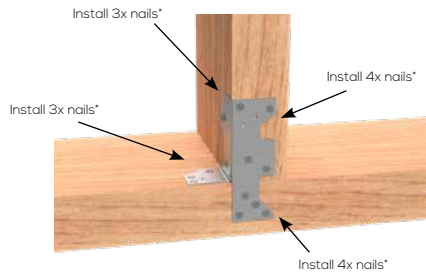
Product Code	Length (mm)	Box Qty
VTMG100SS	100	200

INSTALLATION GUIDE

LOADING TYPE A (used as a pair)



LOADING TYPE B



* Use only VUETRADE 30mm x 2.8mm \emptyset Stainless Steel Connector Plate Nails.



DESIGN CAPACITY DATA

Load ratings stated below are for when installed as a pair.

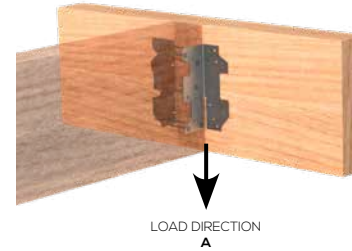


Table 70: Stainless Steel Multi Grip Design Capacity Table Load Direction A [used in pairs]

Load Directions	Design Capacity for Timber Joint Groups, kN					
	J3	J4	J5	JD3	JD4	JD5
Dead Load, 1.35G	3.6	2.6	1.9	5.0	3.6	3.0
Dead & Roof Live Loads, 1.2G+1.5Qr	4.4	3.1	2.3	6.2	4.4	3.6
Wind Uplift	7.3	5.1	3.9	10.2	7.3	6.0

Timber Connectors Compliance Data

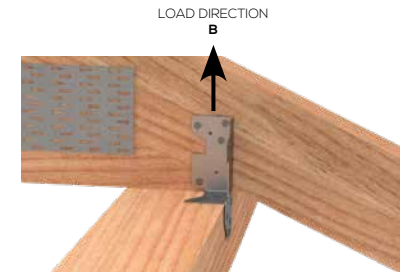
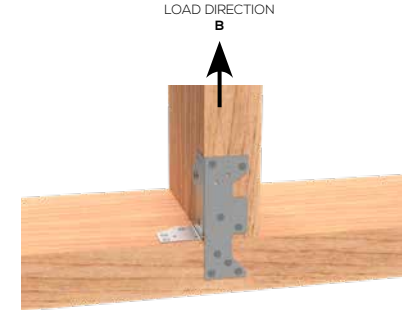


Table 71: Stainless Steel Multi Grip Design Capacity Table Load Direction B

Load Directions	Design Capacity for Timber Joint Groups, kN					
	J3	J4	J5	JD3	JD4	JD5
Wind Uplift	3.1	2.2	1.7	4.3	3.1	2.5

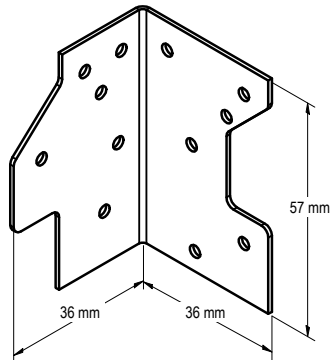
NOTES:

- Design capacities in Table 70 and Table 71 apply to all sizes of VUETRADE Stainless Steel Multi Grips, minimum recommended nail fixings are detailed in the fixing guide section.
- To achieve greater design capacity, more nails may be installed into the pre-bored holes. NEVER punch nails through sheet metal as it may result in weaker, non-compliant connections.
- Capacity for load direction B can be doubled up with double the amount of Multi Grips used.
- Design capacities in Table 70 and Table 71 are based on Category 1 joints where it is applicable for failures that would be unlikely to affect an area of greater than 25m². For Category 2 and Category 3 joints, design capacities from the table are multiplied by 0.941 and 0.882 respectively.





**STAINLESS STEEL
MINI GRIPS**



APPLICATION

VUETRADE Stainless Steel Mini Grips are general purpose timber framing brackets used for joining timber members at right angles. These brackets can be used on pergolas, timber rails, fences and general joinery fit-out.

SPECIFICATION

VUETRADE Stainless Steel Mini Grips are manufactured from 316 Stainless Steel in 1.0mm thickness.

FASTENERS

Nails: Use only VUETRADE 30mm x 2.8mm Ø Stainless Steel Connector Plate Nails

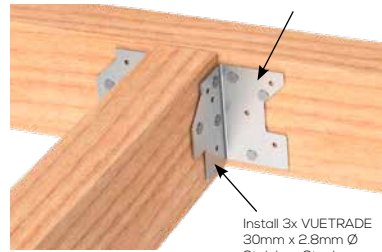
SIZE

Product Code	Length (mm)	Box Qty
VTMG57SS	57	200

INSTALLATION GUIDE

For each side of the supported timber:

Install 3x VUETRADE 30mm x 2.8mm Ø Stainless Steel Connector Plate Nails



DESIGN CAPACITY DATA

Load ratings stated below are for when installed as a pair.

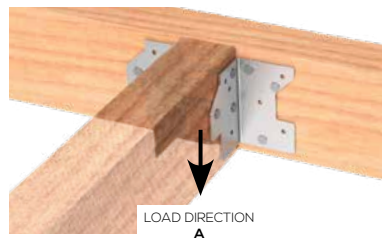


Table 72: Mini Grip Design Capacity – Load Direction A (capacity is for a pair of Mini Grips)

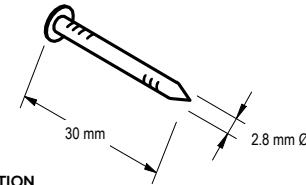
Load Directions	Design Capacity for Timber Joint Groups, kN					
	J3	J4	J5	JD3	JD4	JD5
Dead Load, 1.35G	2.3	1.6	1.2	3.2	2.3	1.9
Dead & Roof Live Loads, 1.2G+1.5Qr	2.8	2.0	1.5	3.9	2.8	2.3
Wind Uplift	4.6	3.3	2.5	6.5	4.6	3.8

NOTES:

- Design capacities in Table 72 apply when the minimum recommended nail fixings are fixed, as detailed in the installation guide section.
- To achieve greater design capacity, more nails may be installed into the pre-bored holes. NEVER punch nails through sheet metal as it may result in weaker, non-compliant connections.
- Design capacities in Table 72 are based on Category 1 joints where it is applicable for failures that would be unlikely to affect an area of greater than 25m². For Category 2 and Category 3 joints, design capacities from the table are multiplied by 0.941 and 0.882 respectively.



**STAINLESS STEEL
CONNECTOR PLATE NAILS**



APPLICATION

VUETRADE Stainless Steel Connector Plate Nails are specially engineered and designed for VUETRADE Timber Connector Products to achieve the specified design capacity in their respective technical data sheets.

SPECIFICATION

VUETRADE Stainless Steel Connector Plate Nails are manufactured using Stainless Steel 316.

VUETRADE Stainless Steel Connector Plate Nails are suitable for all framing purposes where nail fixings are required as required by the framing code AS1684.2:2021 / AS1684.3:2021 / AS1684.4:2010.

PRODUCT RANGE

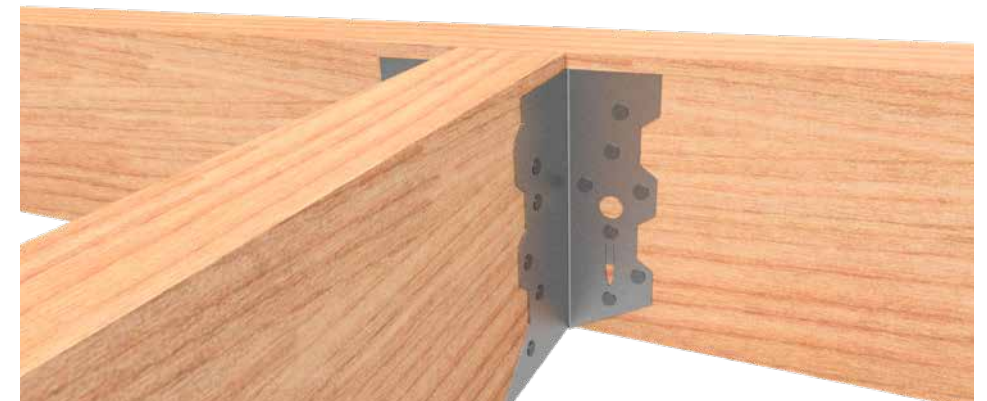
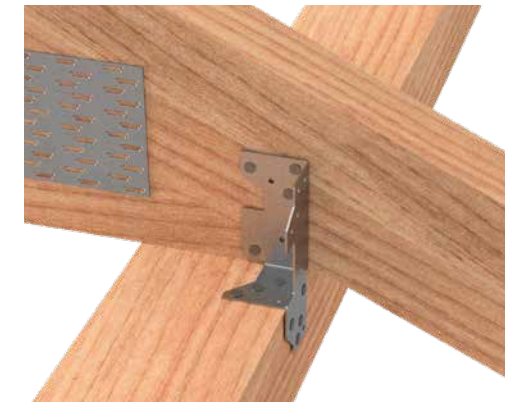
Product Code	Size (mm)	Weight	Approx. Number of Nails
VTCPNSS3028500	30 x 2.8 Ø	500 g	260
VTCPNSS30282	30 x 2.8 Ø	2 kg	1040
VTCPNSS30285	30 x 2.8 Ø	5 kg	2600

FIXING DETAILS

VUETRADE Stainless Steel Connector Plate Nails can be used with all VUETRADE Stainless Steel timber connector products where 30mm x 2.8mm Ø nail fixings are required.

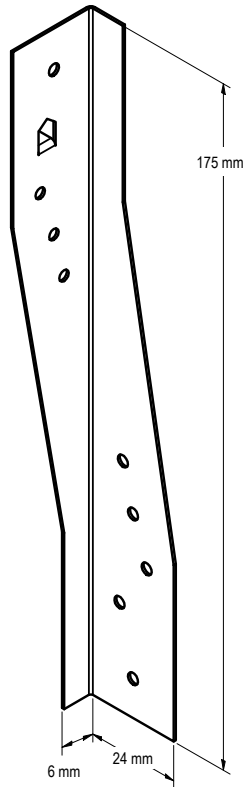
Refer to individual product's Technical Data Sheet for specific fixing details.

Usage of Stainless Steel Connector Plate Nails with galvanised VUETRADE products may result in bimetallic corrosion which will reduce their design capacities.





**STAINLESS STEEL
JOIST STRAPS**



APPLICATION

VUETRADE Stainless Steel Joist Straps are simple connectors for fixing ceiling joists to hanging beams and rafters to beams at right angles, with VUESPIKES for easy positioning before fixing.

SPECIFICATION

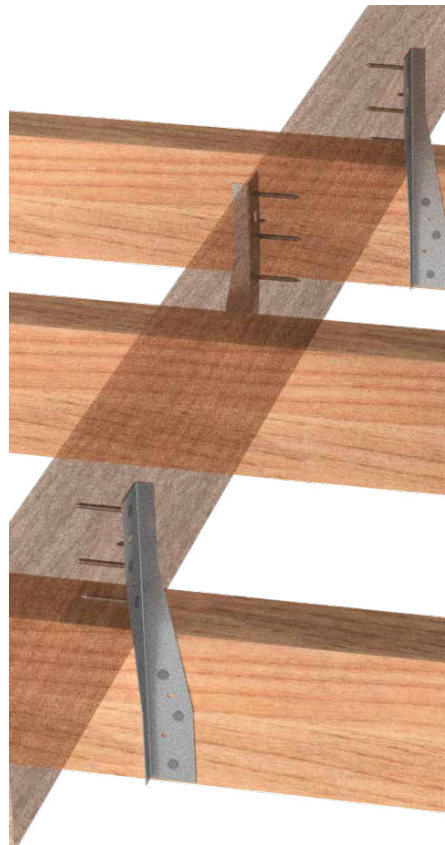
VUETRADE Stainless Steel Joist Straps are Australian Made and manufactured using 316 stainless steel in 0.6mm thickness.

FASTENERS

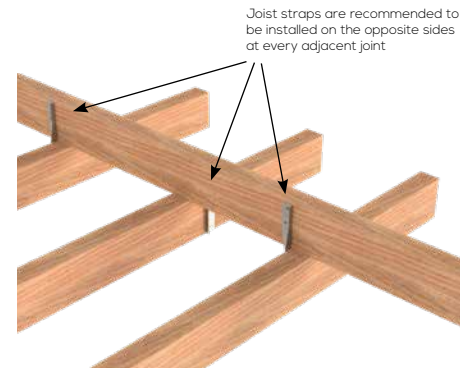
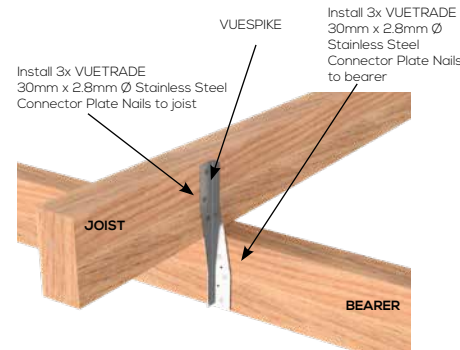
Nails: Use only VUETRADE 30mm x 2.8mm Ø Stainless Steel Connector Plate Nails

SIZE

Product Code	Size (mm)	Box Qty
VTJS150SS	175mm	150



INSTALLATION GUIDE



1. Position VUETRADE Stainless Steel Joist Straps and drive VUESPIKE into place for ease of positioning.
2. Drive VUETRADE 30mm x 2.8mm Ø Stainless Steel Connector Plate Nails into both timber members, using 3 nails per end.
3. Design capacity of Joist Strap will increase with more nails installed through pre-bored holes. Do not punch through sheet material as it will result in a weaker and non-compliant connection. For more information about specific design load capacities please contact VUETRADE.

DESIGN CAPACITY DATA

Table 73: Stainless Steel Joist Strap design capacity data

Load Case	Design Capacity for Timber Joint Groups, kN					
	J3	J4	J5	JD3	JD4	JD5
DL	12	0.8	0.6	16	12	10
DL + FLL	14	10	0.7	2.0	14	12
DL + RLL	16	11	0.8	2.2	16	13
Wind Uplift	2.3	16	12	3.2	2.3	19

NOTES:

1. Design capacities in Table 73 are based on installing 3 nails on each end of the Joist Strap using VUETRADE 30mm x 2.8mm Ø Stainless Steel Connector Plate Nails only.
2. Modification factors k1 for different load cases are adopted from AS1720.1-2010.
3. Design capacities in the Table 73 are based on Category 1 joints where it is applicable for failures that would be unlikely to affect an area of greater than 25m². For Category 2 and Category 3 joints, design capacities from the table are multiplied by 0.941 and 0.882 respectively.

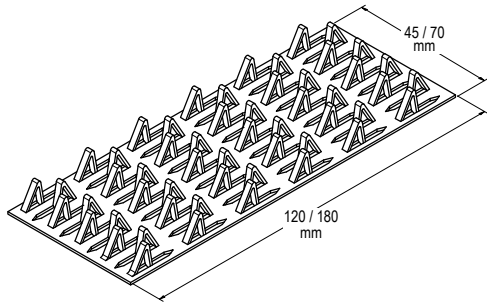
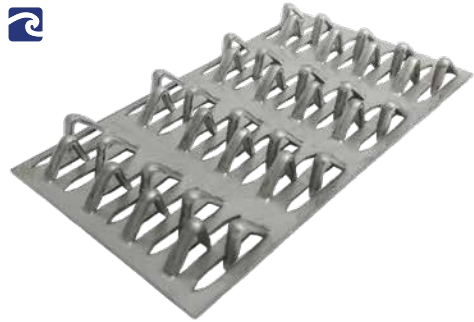




Timber Connectors Compliance Data



STAINLESS STEEL TAP IN PLATES



APPLICATION

VUETRADE Tap In Plates are useful for various application such as:

- Joining various timber wall frames and top plates together;
- Use in manufacturing trusses;
- Joining ends of timber;
- Timber ends repair.

SPECIFICATION

VUETRADE Stainless Steel Tap In Plates are manufactured in 12mm stainless steel 316 to a wide range of sizes to suit different sizes of timber and applications.

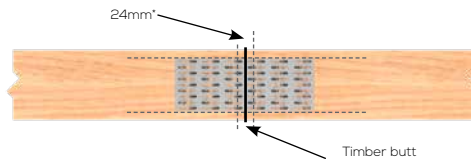
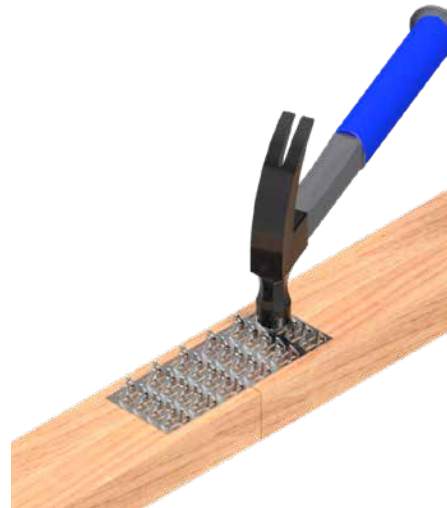
Stainless Steel 316 has a better corrosion resistance property compared to Stainless Steel 304. The typical material composition contains 2% molybdenum that is not present in SS304, which provides superior corrosion protection compared to SS304. SS316 is suitable for environment with higher risk of corrosion attack, for example sea water and brine solution.

SIZES

Product Code	Size (mm)	Box Qty	No. of teeth per plate
VTIP45120SS	45 x 120	100	24
VTIP45180SS	45 x 180	67	36
VTIP70120SS	70 x 120	75	36
VTIP70180SS	70 x 180	50	54

INSTALLATION GUIDE

Install VUETRADE Tap In Plate by driving each of the teeth on the Stainless Steel Tap In Plate into the both timber joint members using a hammer. For application of butt jointing, ensure that the Tap In Plate are installed with equal length in the timber member (symmetrically) and fix one plate on each face of the timber member.



* No nails should be driven within 12mm from timber butt end or within 6mm to the timber edge to reduce risk of timber splitting.



Timber Connectors Compliance Data



DESIGN CAPACITY DATA

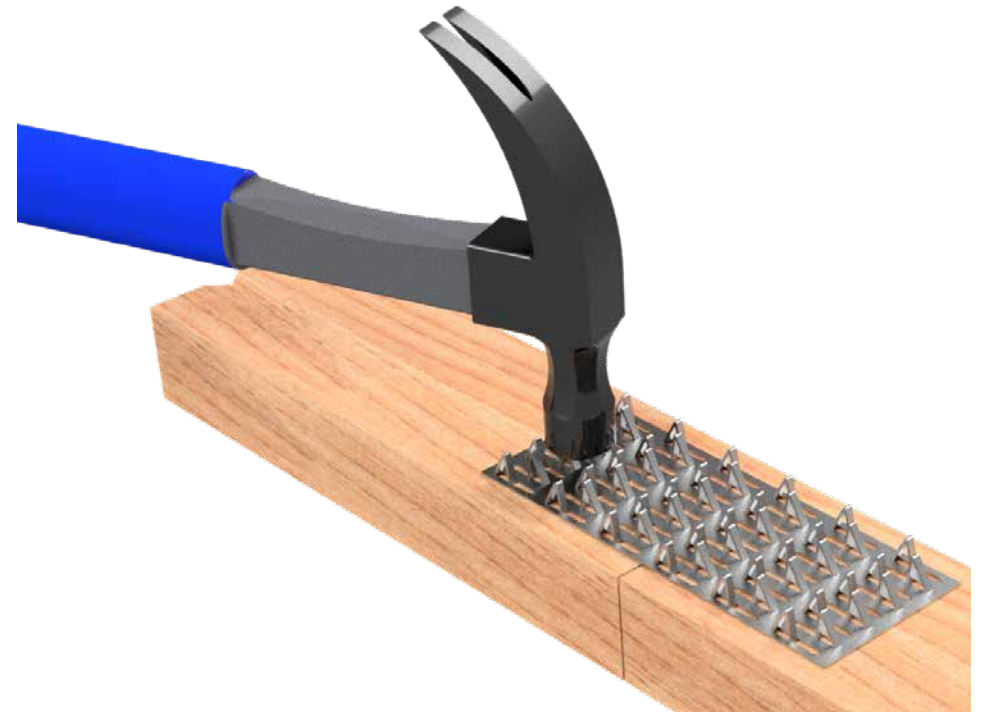
The method of obtaining design capacities for VUETRADE Stainless Steel Tap In Plates was derived based on the test method established from Australian Standard AS1649-2001 - Timber - Methods of test for mechanical fasteners and connectors - Basic working loads and characteristic strengths. The loads of standard timber joint groups shown in this document are defined based on the Australian Standard AS1720.1-2010 - Timber structures, Part 1: Design methods. Refer to VUETRADE's Timber Properties Technical Data for the classification of joint groups for various timber species.

Table 74: Design capacities of Stainless Steel Tap In Plates

Design Load Capacity (N/tooth) for Timber Joint Group: JD4		
Load Direction	Perpendicular	Parallel
Dead Load	125	127
Dead Load + Roof Live Load	169	172
Dead Load + Wind Load	250	255

NOTES:

1. The duration factor k_1 used to derive the values above are 0.57 for dead loads, 0.77 for combination of dead load and roof live load and 1.14 for combination of dead load and wind load. Modification factors k_1 for different load cases are adopted from AS1720.1-2010.
2. Design capacities in the tables are based on Category 1 joints where it is applicable for failures that would be unlikely to affect an area of greater than 25m². For Category 2 and Category 3 joints, design capacities from the table are multiplied by 0.941 and 0.882 respectively.
3. The design of timber joints as specified in the Australian Standard AS1649-2001 states that teeth driven 12mm to the butt end and 6mm to the timber edges are ineffective (refer to illustration on previous page). VUETRADE SS Tap In Plates teeth are manufactured 30mm apart which means that all teeth deliver effective loading.

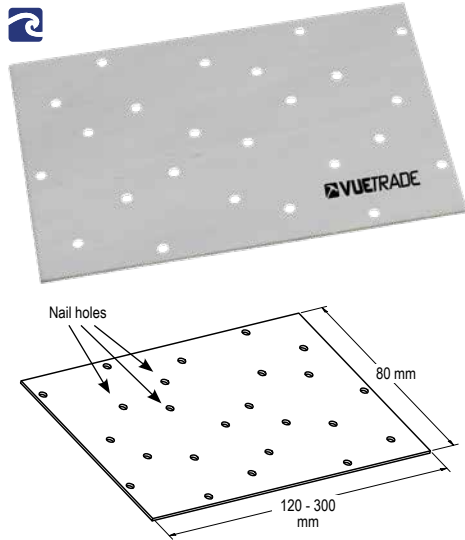


STAINLESS STEEL





**STAINLESS STEEL
NAIL ON BEARER PLATES**



APPLICATION

VUETRADE Bearer Plates are manufactured as a flat steel plate which are then fixed with flat head nails or screws. The plates are suitable for a range of construction applications such as:

- Joining timber by butting members together (for spliced joint connection Bearer Plates must be used in pairs);
- An alternative for heavy duty connection where a tap in plate will not offer adequate strength;
- Framework repair;
- Member or joint reinforcement works.

SPECIFICATION

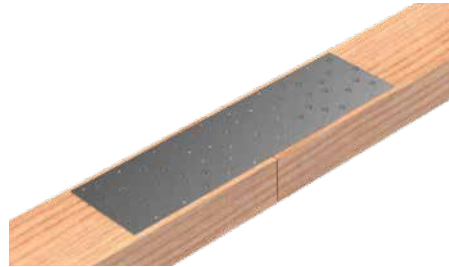
VUETRADE Stainless Steel Bearer Plates are manufactured with Stainless Steel 316 material in 1.0mm thickness.

FASTENERS

Nails: Use only VUETRADE 30mm x 2.8mm Ø Stainless Steel Connector Plate Nails

SIZES

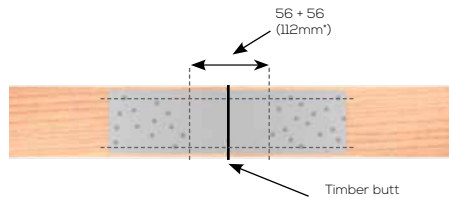
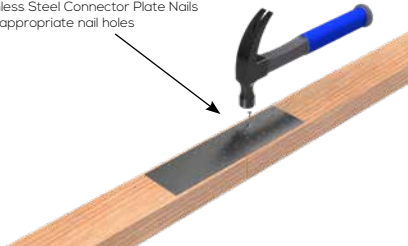
Product Code	Size (mm)	Box Qty	Number of holes per plate
VTBP80120SS	80 x 120	100	24
VTBP80180SS	80 x 180	100	36
VTBP80240SS	80 x 240	50	48
VTBP80300SS	80 x 300	50	60



INSTALLATION GUIDE

1. Install VUETRADE Stainless Steel Bearer Plate to joint by driving VUETRADE 30mm x 2.8mm Ø Stainless Steel Connector Plate Nails with a hammer. Use only stainless steel connector plate nails with Stainless Steel Bearer Plate, usage of galvanised nails with stainless steel Bearer Plate may cause bimetallic corrosion which will weaken the timber joint.
2. Ensure that nails are driven in all appropriate nail holes to ensure product compliance and maximum load obtained.
3. Ensure that no nails driven within 56mm of the timber butt end and 14mm to the timber edge.
4. For application of butt jointing, ensure that the Bearer Plates are installed with equal length in the timber member (symmetrically) and fix one plate on each face of the timber member.

Install VUETRADE 30mm x 2.8mm Ø Stainless Steel Connector Plate Nails in all appropriate nail holes



* No nails should be driven within 56mm from timber butt end or within 14mm to the timber edge to reduce risk of timber splitting.



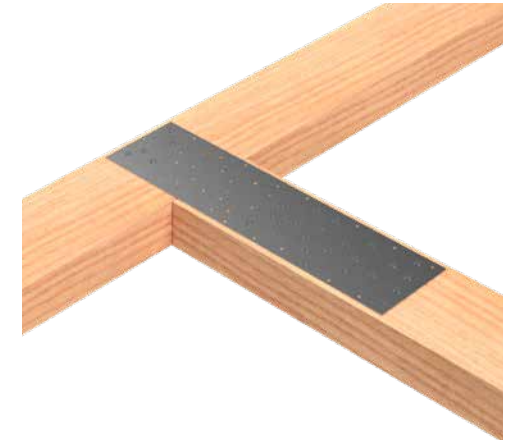
DESIGN CAPACITY DATA

Table 75: Design capacities for a pair of Stainless Steel Bearer Plates of 80mm width at various lengths

Length	Type of Load	Design Capacity for Timber Joint Groups, kN					
		J3	J4	J5	JD3	JD4	JD5
120mm	Dead Load						
	Dead Load + Roof Live Load						See note 4(c)
	Dead Load + Wind Load						
180mm	Dead Load	4.6	3.3	2.5	6.5	4.6	3.8
	Dead Load + Roof Live Load	6.3	4.4	3.3	8.8	6.3	5.1
	Dead Load + Wind Load	9.3	6.6	5.0	13	9.3	7.6
240mm	Dead Load	9.8	6.9	5.2	13.7	9.8	8.1
	Dead Load + Roof Live Load	13.3	9.4	7.1	18.6	13.3	10.9
	Dead Load + Wind Load	19.7	13.9	10.5	27.5	19.7	16.1
300mm	Dead Load	12.4	8.8	6.6	17.3	12.4	10.2
	Dead Load + Roof Live Load	16.7	11.8	8.9	23.4	16.7	13.7
	Dead Load + Wind Load	24.8	17.5	13.2	34.6	24.8	20.3

NOTES:

1. Design capacities in Table 75 are for a pair of plates.
2. The duration factor k_1 used to derive the values above are 0.57 for dead loads, 0.77 for combination of dead load and roof live load and 1.14 for combination of dead load and wind load. Modification factors k_1 for different load cases are adopted from AS1720.1-2010.
3. Design capacities in the table are based on Category 1 joints where it is applicable for failures that would be unlikely to affect an area of greater than 25m². For Category 2 and Category 3 joints, design capacities from the table are multiplied by 0.941 and 0.882 respectively.
4. Capacities obtained above are based on the following criteria:
 - a. Nail holes within 56mm from the timber end are not fixed, otherwise all holes must be fixed with VUETRADE 30mm x 2.8mm Ø Stainless Steel Connector Plate Nails.
 - b. The timber end / edge distance of 56mm / 14mm according to AS1720.1-2010 shall not have any nail fixed to the timber.
 - c. 80x120mm Bearer Plates are not recommended to be used for splice joint connection as it does not meet AS1720.1-2010 end-distance requirements of no nails shall be installed 56mm from the timber end.

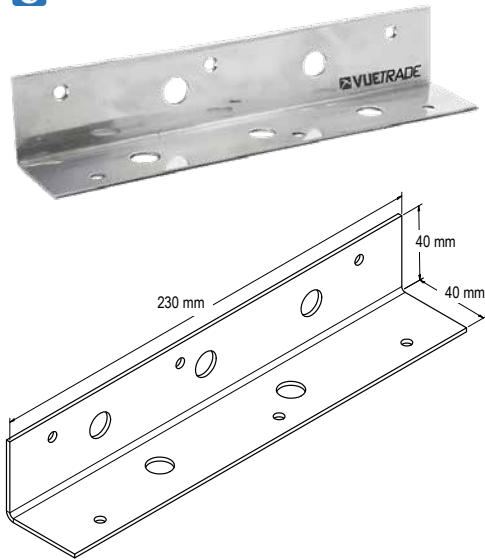


STAINLESS STEEL





**STAINLESS STEEL
ULTRA HEAVY DUTY ANGLES**



APPLICATION

Commonly used to joint timbers at right angles. This bracket can also be used for stairs or as heavy duty support brackets.

SPECIFICATION

VUETRADE Ultra Heavy Duty Angles are manufactured from 2mm thick stainless steel 304 plate bent at 90° to suit a wide range of applications. The SS304 material provides excellent corrosion protection to accommodate for application where higher risk of corrosion is present.

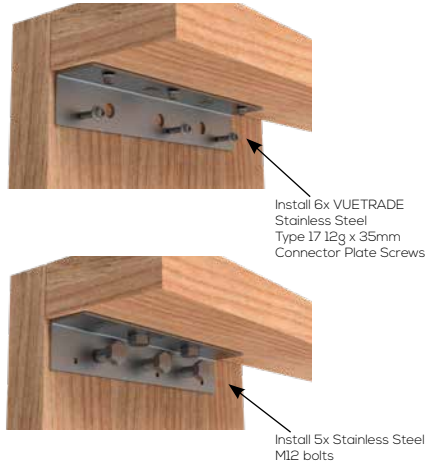
PRODUCT SIZES

Product Code	Dimensions (mm)	Box Quantity
VTUHDA4040	40 x 40 x 230 x 2.0	40
VTUHDA4040BK*	40 x 40 x 230 x 2.0	20

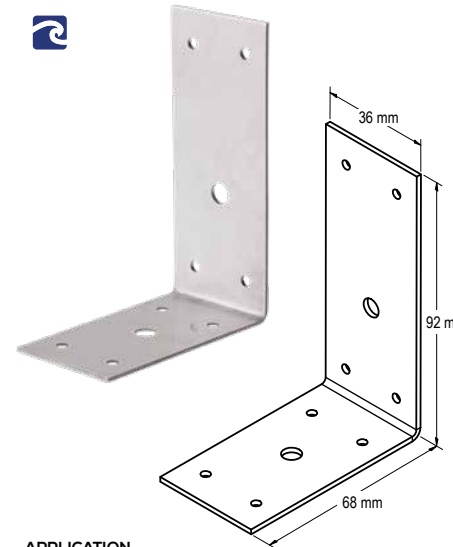
* BLACKOUT Ultra Heavy Duty Angles are manufactured in 2.0mm 304 grade stainless steel with black powder coating.

FASTENERS

Fasten all screw holes with 6x VUETRADE Type 17 12g x 35mm Stainless Steel Connector Plate Screws, or with 5x Stainless Steel M12 bolts fasten to appropriate bolt holes.



**STAINLESS STEEL
PERGOLA ANGLES**



APPLICATION

Stainless Steel Pergola Angles are multi-purpose building brackets ideal for connecting pergola rafters to beams.

SPECIFICATION

VUETRADE Stainless Steel Pergola Angles are manufactured using SS 316 Stainless Steel in 1.6mm thickness and are specially made for coastal applications.

FASTENERS

Nails: 8x VUETRADE 30mm x 2.8mm Ø Stainless Steel Connector Plate Nails, **AND:**

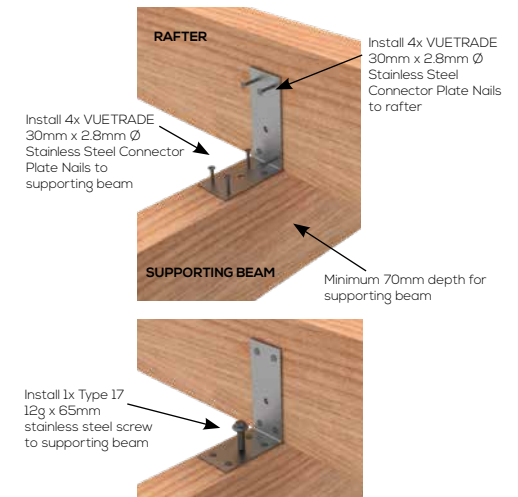
Screw: 1x appropriate Type 17 12g x 65mm stainless steel screw

SIZES

Product Code	Size (mm)	Box Qty
VTPA36SS	92 x 68 x 36 x 1.6	200



INSTALLATION GUIDE



NOTES:

1. Ensure that support beam to have a minimum section size of 70mm.
2. Use only VUETRADE 30mm x 2.8mm Ø Stainless Steel Connector Plate Nails and stainless steel screws, usage of other steel materials nails and bolts with stainless steel Pergola Angles may lead to bimetallic corrosion.
3. Install nail through pre-bored nail/screw holes provided, do not punch through sheet material as it may result in a weaker, non-compliant product.

DESIGN CAPACITY DATA

Table 76: Design capacity data of Stainless Steel Pergola Angle on different joint group

Load Case	Design Capacity for Timber Joint Groups, kN					
	J3	J4	J5	JD3	JD4	JD5
Wind Uplift	3.1	2.2	1.7	4.3	3.1	2.5

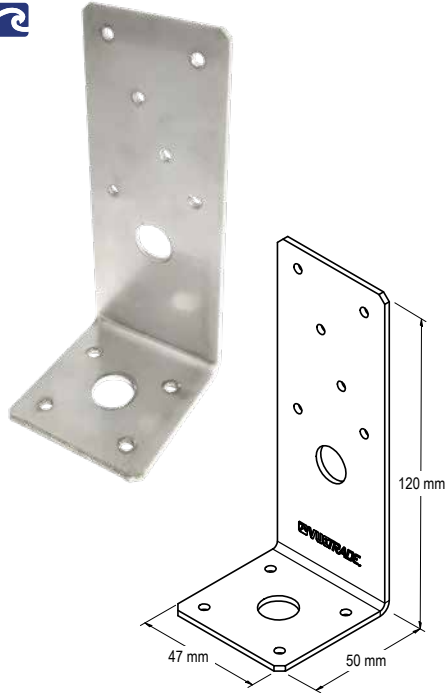
NOTES:

1. Design capacities in Table 76 are based on installation of Pergola Angles with 4x VUETRADE 30mm x 2.8mm Ø Stainless Steel Connector Plate Nails on both flanges (total of 8x nails) and 2x Type 17 12g x 65mm screws.
2. Modification factors k1 for different load cases are adopted from AS1720.1-2010.
3. Design capacities in the Table 76 are based on Category 1 joints where it is applicable for failures that would be unlikely to affect an area of greater than 25m². For Category 2 and Category 3 joints, design capacities from the table are multiplied by 0.941 and 0.882 respectively.





**STAINLESS STEEL
HOLD DOWN BRACKETS**



APPLICATION

VUETRADE Stainless Steel Hold Down Bracket is a heavy duty multi-purpose building bracket that provides tie down resistance, often used in the construction of wall studs and roof trusses.

SPECIFICATION

VUETRADE Stainless Steel Hold Down Brackets are manufactured in 2mm Stainless Steel 316 and are specially made for coastal applications.

FASTENERS

Nails: Use only VUETRADE 30mm x 2.8mm Ø Stainless Steel Connector Plate Nails, **AND:**

Bolts: 1x M12 stainless steel bolt / rod.

M12 bolts must be used to tie down the bracket to the supporting plate.

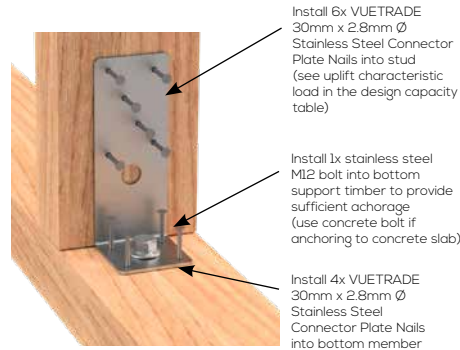
PRODUCT SIZES

Product Code	Size (mm)	Thickness (mm)	Box Qty
VTHDBSS	120 x 50 x 47	2.0	75

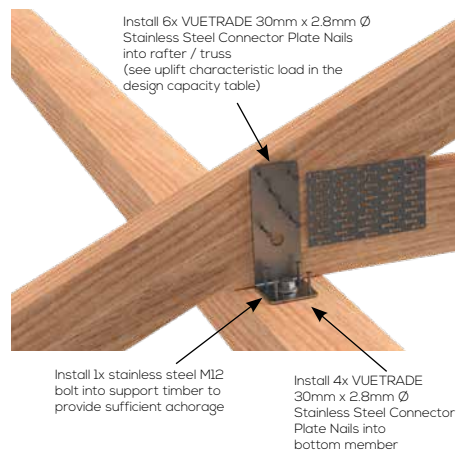
INSTALLATION AND NAILING SCHEDULE

1. Position and drill a 13mm hole through the support timber for M12 bolt.
2. Install suitable stainless steel M12 bolts onto support timber.
3. Install 6x VUETRADE 30mm x 2.8mm Ø Stainless Steel Connector Plate Nails into stud / rafter.
4. A square washer may be used with the M12 bolt.
5. Install 4x VUETRADE 30mm x 2.8mm Ø Stainless Steel Connector Plate Nails into bottom member.

BOTTOM PLATE FIXING



TRUSS / RAFTER TO TOP PLATE FIXING



DESIGN CAPACITY DATA

Table 77: Stainless Steel Hold Down Bracket Design Capacities

Load Directions	Design Capacity, N _{dj} (kN) for different timber species group					
	J3	J4	J5	JD3	JD4	JD5
Wind Uplift	4.6	3.3	2.5	6.5	4.6	3.8

NOTES:

1. Design capacities in Table 77 applies to VUETRADE Hold Down Brackets, where a minimum of 6 VUETRADE 30mm x 2.8mm Ø Galvanised Connector Plate Nails are installed in the vertical member of the connection and a M12 bolt for the horizontal member for maximum tie down capacity.
2. The design capacities are calculated based on the assumption that there is sufficient anchorage on the supporting member to resist wind uplift.
3. Design capacities in Table 77 are based on Category 1 joints where it is applicable for failures that would be unlikely to affect an area of greater than 25m². For Category 2 and Category 3 joints, design capacities from the table are multiplied by 0.941 and 0.882 respectively.
4. A pair of Hold Down Brackets may be used to double the design capacity tabulated above.
5. Only use stainless steel fasteners (nails and bolts) with Stainless Steel Hold Down Bracket, usage of other steel materials may lead to bimetallic corrosion.

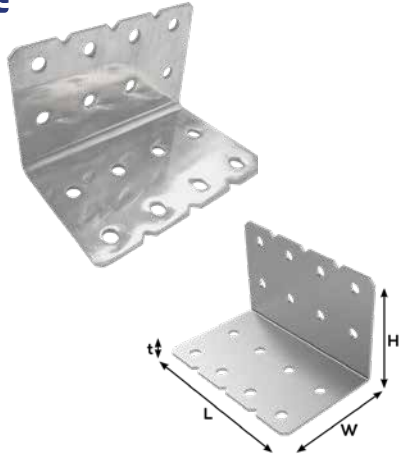


STAINLESS STEEL





**STAINLESS STEEL
ANGLE BRACKETS - HEAVY DUTY**



APPLICATION

Commonly used to join timbers at right angles in coastal and higher corrosion environments. These brackets can be used in different orientations to suit a wide range of joining applications.

SPECIFICATION

VUETRADE Angle Brackets - Heavy Duty are manufactured from 3.0mm thick 316 Stainless Steel.

FASTENERS

Fasteners used in Angle Brackets - Heavy Duty shall refer to product size table in the next section and recommend the use of stainless steel material to prevent bimetallic corrosion. Use of coach screws in an equivalent size is permissible.

Refer to usage guidelines in the next section on Angle Brackets - Heavy Duty usage for structural purposes for bolt spacing and minimum timber size requirements.



PRODUCT SIZES

Product Code	Dimensions (mm)	Thickness	Bolt Holes
VABHD02SS	40L x 60W x 100H	3.0mm	M10
VABHD04SS	80L x 60W x 60H	3.0mm	M10
VABHD05SS	80L x 60W x 100H	3.0mm	M10
VABHD09SS	120L x 100W x 100H	3.0mm	M10
VABHD12SS	160L x 100W x 100H	3.0mm	M10

USAGE OF VUETRADE ANGLE BRACKETS - HEAVY DUTY FOR STRUCTURAL PURPOSES

While the Angle Brackets - Heavy Duty can be used in many applications, it is imperative to ensure that any structural applications must adhere to the requirements stipulated in the current National Construction Code for any relevant building classes.

For the purposes of this document, Angle Brackets - Heavy Duty used for structural purposes in timber framed structures MUST adhere to the requirements stipulated NCC 2022 Volume Two - Building Code of Australia Class 1 and 10 buildings, which includes the requirement to comply with, but not limited to, the following Australian Standards:

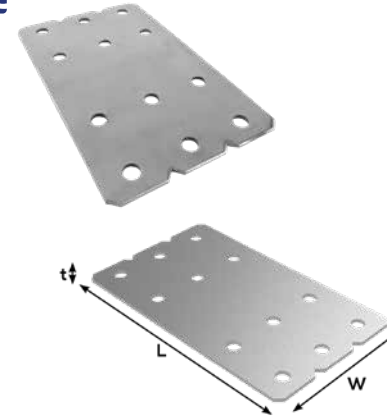
- AS1720.1 Timber Structures - Design Methods
- AS1684.2 Residential timber-framed constructions
- AS1720.5 Timber Structures - Part 5: Nailplated timber roof trusses.

Usage of Angle Brackets - Heavy Duty with bolts shall adhere to edge and end distance between bolts placement and timber grades used as per AS1720.1.

The associated design capacities are dependent on the intended usage, timber grades, orientation of loadings and should be based on consultation and certification from relevant engineering authorities.

It is the responsibility of the end users and structural/site engineers to ensure correct application of brackets. VUETRADE does not accept responsibility for non-compliant use of Angle Brackets - Heavy Duty.

**STAINLESS STEEL
PLATES - HEAVY DUTY**



APPLICATION

Commonly used to join timbers between flat timber faces in coastal and higher corrosion environments.

SPECIFICATION

VUETRADE Plates - Heavy Duty are manufactured from 3.0mm thick 316 Stainless Steel.

FASTENERS

Fasteners used in Plates - Heavy Duty shall refer to product size table in the next section and recommend the use of stainless steel material to prevent bimetallic corrosion. Use of coach screws in an equivalent size is permissible.

Refer to usage guidelines in the next section on Plates - Heavy Duty usage for structural purposes for bolt spacing and minimum timber size requirements.



PRODUCT SIZES

Product Code	Dimensions (mm)	Thickness	Bolt Holes	Box Qty
VPHD20040SS	200 x 40mm	3.0mm	M10	25
VPHD20080SS	200 x 80mm	3.0mm	M10	15
VPHD200120SS	200 x 120mm	3.0mm	M10	10

USAGE OF VUETRADE PLATES - HEAVY DUTY FOR STRUCTURAL PURPOSES

While the Plates - Heavy Duty can be used in many applications, it is imperative to ensure that any structural applications must adhere to the requirements stipulated in the current National Construction Code for any relevant building classes.

For the purposes of this document, Plates - Heavy Duty used for structural purposes in timber framed structures MUST adhere to the requirements stipulated NCC 2022 Volume Two - Building Code of Australia Class 1 and 10 buildings, which includes the requirement to comply with, but not limited to, the following Australian Standards:

- AS1720.1 Timber Structures - Design Methods
- AS1684.2 Residential timber-framed constructions
- AS1720.5 Timber Structures - Part 5: Nailplated timber roof trusses.

Usage of Plates - Heavy Duty with bolts shall adhere to edge and end distance between bolts placement and timber grades used as per AS1720.1.

The associated design capacities are dependent on the intended usage, timber grades, orientation of loadings and should be based on consultation and certification from relevant engineering authorities.

It is the responsibility of the end users and structural/site engineers to ensure correct application of plates. VUETRADE does not accept responsibility for non-compliant use of Plates - Heavy Duty.





Timber Connectors Compliance Data



Timber Connectors Compliance Data



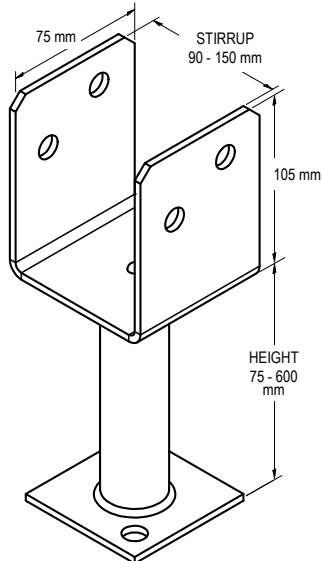
STAINLESS STEEL FULL STIRRUP POST SUPPORTS



BOLTED TO CONCRETE



CAST INTO CONCRETE



APPLICATION

VUETRADE Stainless Steel Full Stirrup Post Supports are designed to support timber posts with excellent strength. Installed either by bolting to the concrete or by casting into wet concrete. These post supports offer a strong and solid connection, with high resistance to rust specifically for applications near the coast.

SPECIFICATION

VUETRADE Stainless Steel Full Stirrup Post Supports are available to be manufactured in two materials, SS304 and SS316.

FASTENERS

- Saddle:** 2x Stainless Steel VUEBOLT or appropriate M12 bolts with hex nuts
- Base:** 2x stainless steel M12 concrete bolts or equivalent

Only use stainless steel fasteners (bolts) with stainless steel post support, usage of other steel materials may lead to bimetallic corrosion.

SIZES

Stainless Steel Full Stirrup Post Support stirrup sizes range from 90 to 150mm, and leg sizes from 75 to 600mm. Common sizes include:

Product Code	Stirrup Size (mm)	Height (mm)	Box Qty
VPS13090SS	90	130	10
VPS130115SS	115	130	10
VPS130125SS	125	130	10
VPS130135SS	135	130	10
VPS20090SS	90	200	10
VPS30090SS	90	300	10

* For extensive listing of standard and custom sized Stainless Steel Full Stirrups, refer to the VUETRADE Full Stirrup Post Support webpage.

MATERIAL SPECIFICATION

Stainless Steel 304

- Composition:** 18 % Chromium, 8% Nickel
- Corrosion resistance:** Good resistance to oxidation and corrosion, but weak against acidic environment

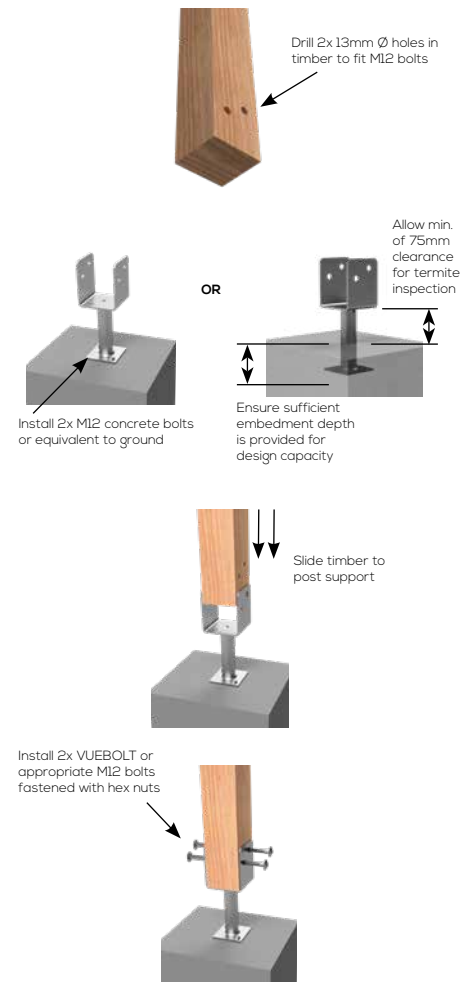
Stainless Steel 316

- Composition:** 16% Chromium, 10% Nickel, 2% Molybdenum
- Corrosion resistance:** Superior corrosion resistance against acidic/high chloride environments

NOTE:

'Tea-staining' is a cosmetic issue with some VUETRADE Stainless Steel Post Supports (more prevalent in SS304) but this does not affect the structural integrity or material lifetime of the post support.

INSTALLATION GUIDE AND BOLT FIXING SCHEDULE



NOTES:

1. Embedment depth of VUETRADE Post Support should be determined and calculated by a Structural Engineer to achieve the reported design load. This usually depends on the type of concrete used, aggregate ratio etc.
2. 75mm clearance must be provided to conform to the requirements set out by AS3660:2014 - Termite management, Part 1: New building work.

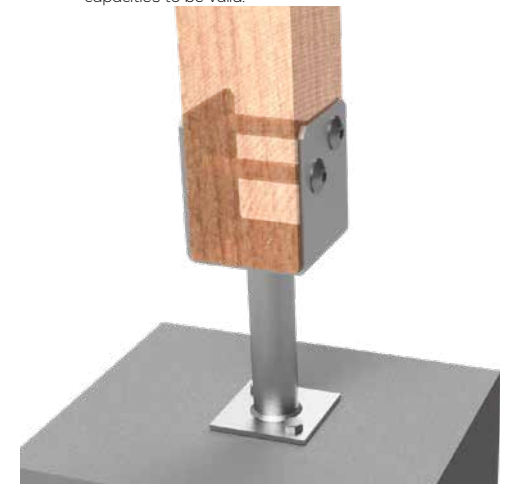
DESIGN CAPACITY DATA

Table 78: Design capacities of Full Stirrup Post Support on various timber joint groups

Load Case	Design Capacity, $N_{d,j}$ (kN)					
	J3	J4	J5	JD3	JD4	JD5
Uplift capacity	12.7	10.0	8.7	15.8	12.7	11.0

NOTES:

1. Design capacity in Table 78 applies to VUETRADE Post Supports where 2x M12 bolts are installed and tightly fastened with nuts.
2. Timber posts must have minimum dimensions of 90mm by 90mm section and shall be installed flat to the base of the post support.
3. Design capacities for post supports bolted or cast into concrete assume that there is sufficient anchorage in the concrete to resist the pull-out force imposed by wind loading.
4. Design capacities in the above table are for wind uplift (vertical force direction) only and areas obtained under strict test condition defined by AS1649-2001 - Timber - Methods of test for mechanical fasteners and connectors.
5. VUETRADE Post Supports should only be used to resist wind uplift / dead load as specified in the TDS and should not be assumed to provide lateral stability. Sufficient bracing should be provided and approved by a structural engineer for lateral stability.
6. Design capacity of post support may be limited by the withdrawal tensile capacity of concrete bolts used to fasten post support to concrete ground. Ensure that suitable concrete bolts are used for above design capacities to be valid.

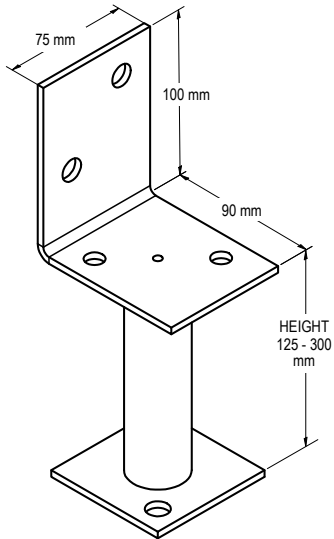




Timber Connectors Compliance Data



STAINLESS STEEL HALF STIRRUP POST SUPPORTS



APPLICATION

VUETRADE Stainless Steel Half Stirrup Post Supports are typically used when builders only have access to bolt one side of the timber post. Installed either by bolting to the concrete or by casting into wet concrete, these post supports offer high resistance to rust specifically for applications near the coast.

SPECIFICATION

VUETRADE Stainless Steel Half Stirrup Post Supports are available to be manufactured in two materials, SS304 and SS316.

FASTENERS

Saddle: 2x Stainless Steel VUEBOLT or appropriate M12 bolts with hex nuts

Base: 2x stainless steel M12 concrete bolts or equivalent

Only use stainless steel fasteners (bolts) with stainless steel post support, usage of other steel materials may lead to bimetallic corrosion.

SIZES

Product Code	Material	Height (mm)	Box Qty
VHSPS125SS	SS304	125	10
VHSPS200SS304	SS304	200	10
VHSPS300SS304	SS304	300	10
VHSPS125SS316	SS316	125	10
VHSPS200SS316	SS316	200	10
VHSPS300SS316	SS316	300	10

MATERIAL SPECIFICATION

Stainless Steel 304

Composition: 18 % Chromium, 8% Nickel

Corrosion resistance: Good resistance to oxidation and corrosion, but weak against acidic environment

Stainless Steel 316

Composition: 16% Chromium, 10% Nickel, 2% Molybdenum

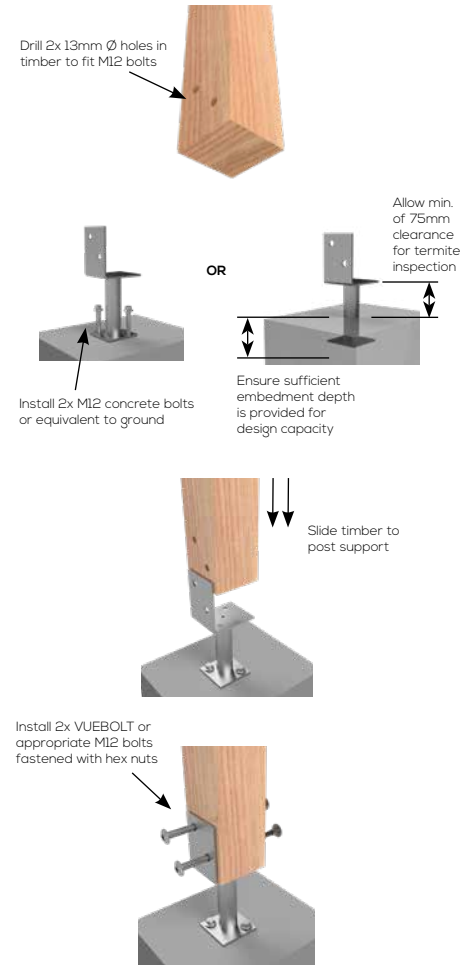
Corrosion resistance: Superior corrosion resistance against acidic/high chloride environments

NOTE:

'Tea-staining' is a cosmetic issue with some VUETRADE Stainless Steel Post Supports (more prevalent in SS304) but this does not affect the structural integrity or material lifetime of the post support.



INSTALLATION GUIDE AND BOLT FIXING SCHEDULE



NOTES:

1. Embedment depth of VUETRADE Post Support should be determined and calculated by a Structural Engineer in order to achieve the reported design load. This usually depends on the type of concrete used, aggregate ratio etc.
2. 75mm clearance must be provided to conform to the requirements set out by AS3660.1:2014 - Termite management, Part 1: New building work.

Timber Connectors Compliance Data



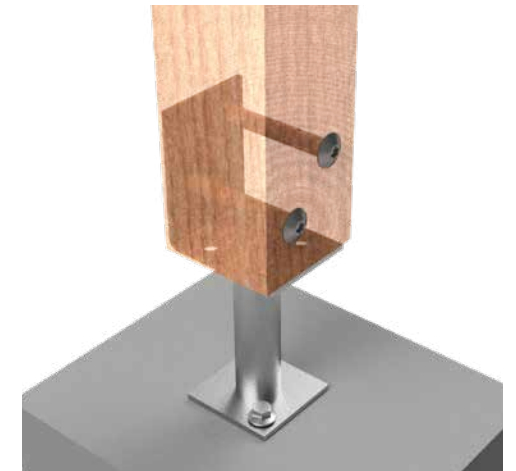
DESIGN CAPACITY DATA

Table 79: Design capacities of Stainless Steel Half Stirrup Post Support on various timber joint groups

Load Case	Design Capacity, N _{dj} (kN)					
	J3	J4	J5	JD3	JD4	JD5
Uplift capacity	6.3	5.0	4.3	7.9	6.3	5.5

NOTES:

1. Design capacity in Table 79 applies to VUETRADE Post Supports where 2x M12 bolts are installed and tightly fastened with nuts.
2. Timber posts must have minimum dimensions of 90mm by 90mm section and shall be installed flat to the base of the post support.
3. Design capacities for post supports bolted or cast into concrete are based on the assumption that there is sufficient anchorage in the concrete to resist the pull-out force imposed by wind loading.
4. Design capacities in the above table are for wind uplift (vertical force direction) only and areas obtained under strict test condition defined by AS1649-2001 - Timber - Methods of test for mechanical fasteners and connectors.
5. VUETRADE Post Supports should only be used to resist wind uplift / dead load as specified in the TDS and should not be assumed to provide lateral stability. Sufficient bracing should be provided and approved by a structural engineer for lateral stability.
6. Design capacity of post support may be limited by the withdrawal tensile capacity of concrete bolts used to fasten post support to concrete ground. Ensure that suitable concrete bolts are used for above design capacities to be valid.





Timber Connectors Compliance Data



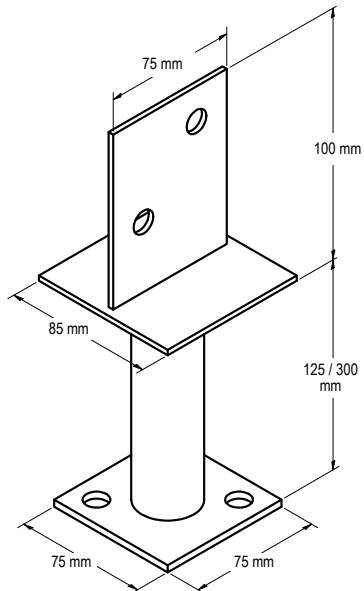
STAINLESS STEEL CENTRE BLADED POST SUPPORTS



**BOLTED TO
CONCRETE**



**CAST INTO
CONCRETE**



APPLICATION

Stainless Steel Centre Blade Post Supports are brackets ideal for coastal construction, with the 'hidden' blade providing a neat finish at the base of a timber post.

SPECIFICATION

VUETRADE Stainless Steel Centre Bladed Post Supports are manufactured using SS304/SS316.

FASTENERS

- Saddle:** 2x Stainless Steel VUEBOLT or appropriate M12 bolts with hex nuts
- Base:** 2x stainless steel M12 concrete bolts or equivalent

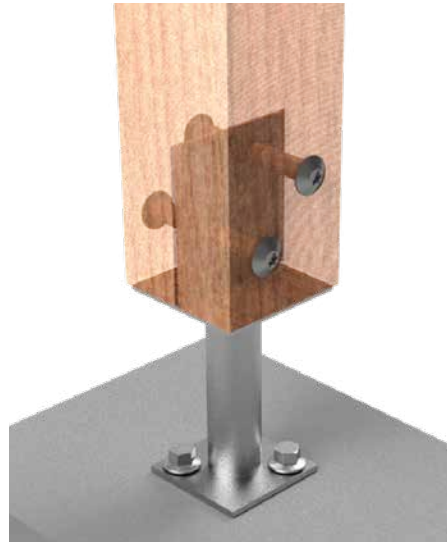
Only use stainless steel fasteners (bolts) with stainless steel post support, usage of other steel materials may lead to bimetallic corrosion.

SIZES

Product Code	Material	Height (mm)	Box Qty
VBLPS125SS	SS 304	125	10
VBLPS125SS316	SS 316	125	10
VBLPS300SS	SS 304	300	10
VBLPS300SS316	SS 316	300	10

NOTE:

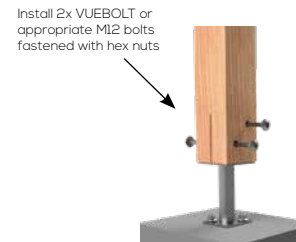
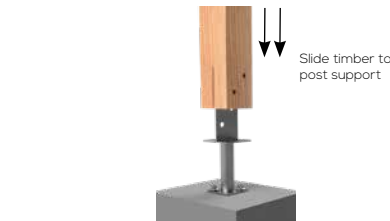
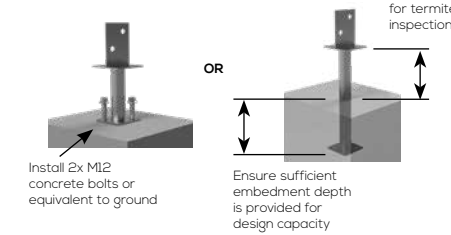
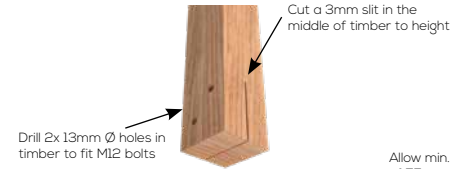
'Tea-staining' is a cosmetic issue with some VUETRADE Stainless Steel Post Supports (more prevalent in SS304) but this does not affect the structural integrity or material lifetime of the post support.



Timber Connectors Compliance Data



INSTALLATION GUIDE AND BOLT FIXING SCHEDULE



NOTES:

- Embedment depth of VUETRADE Post Support should be determined and calculated by a Structural Engineer to achieve the reported design load. This usually depends on the type of concrete used, aggregate ratio etc.
- 75mm clearance must be provided to conform to the requirements set out by AS3660.1:2014 - Termite management, Part 1: New building work.

DESIGN CAPACITY DATA

Table 80: Design Capacity of Stainless Steel Centre Blade Post Support in different joint groups

Load Case	Design Capacity, N _{dj} (kN)					
	J3	J4	J5	JD3	JD4	JD5
Uplift capacity	11.3	9.0	7.8	14.1	11.3	9.9

NOTES:

- Design capacity in table above applies to VUETRADE Post Supports where 2x M12 bolts are installed and tightly fastened with nuts/VUEBOLT.
- Timber posts must have minimum dimensions of 90mm by 90mm section and shall be installed flat to the base of the post support.
- Design capacities for post supports bolted or cast into concrete assumed that there is sufficient anchorage in the concrete to resist the pull-out force imposed by wind loading.
- Design capacities in the above table are for wind uplift (vertical force direction) only and are obtained under strict in-house test conditions defined by AS1649-2001 - Timber - Methods of test for mechanical fasteners and connectors & uplift capacity requirements outlined in AS1720.1-2010 - Timber structures, Part 1: Design methods.
- VUETRADE Post Supports should only be used to resist wind uplift / dead load as specified in the TDS and should not be assumed to provide lateral stability. Sufficient bracing should be provided and approved by a structural engineer for lateral stability.





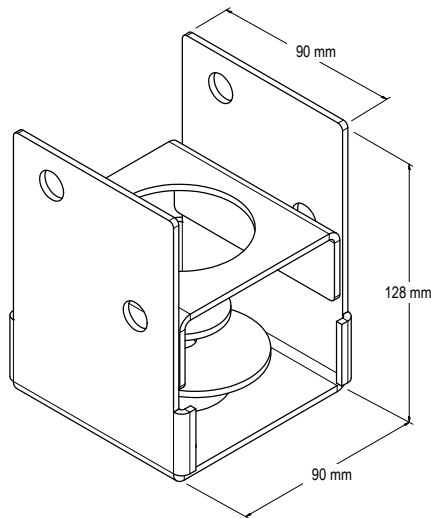
Timber Connectors Compliance Data



STAINLESS STEEL 90mm BOLT DOWN POST SUPPORTS



BOLTED TO CONCRETE



APPLICATION

Stainless Steel Bolt Down Post Supports are anchors ideal for bolting down timber posts in coastal areas.

SPECIFICATION

VUETRADE Stainless Steel Bolt Down Post Supports are manufactured from Stainless Steel 304 or 316 in 1.5mm thickness. It can be installed to conceal or open the gap that shows bolts and washers within the post support.

FASTENERS

Saddle: 2x Stainless Steel VUEBOLT or appropriate M12 bolts with hex nuts

Base: **Method 1:** 1x M12 concrete bolt or equivalent fastened with supplied washers, **OR:**

Method 2: 2x M12 concrete bolts or equivalent fastened to designated bolt holes

Only use stainless steel fasteners (bolts) with stainless steel post support, usage of other steel materials may lead to bimetallic corrosion.

SIZES

Product Code	Size (mm)	Material
VBPS90SS	90	SS 304
VBPS90SS316	90	SS 316

NOTE:

'Tea-staining' is a cosmetic issue with some VUETRADE Stainless Steel Post Supports (more prevalent in SS304) but this does not affect the structural integrity or material lifetime of the post support.



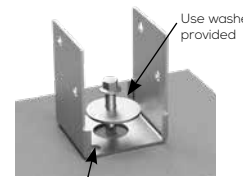
Timber Connectors Compliance Data



INSTALLATION GUIDE AND BOLT FIXING SCHEDULE

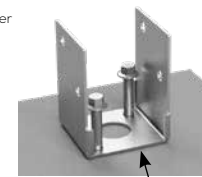


METHOD 1

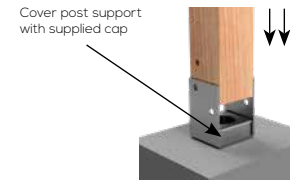


Install 1x M12 concrete bolt or equivalent to ground

METHOD 2

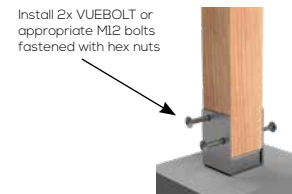


Install 2x M12 concrete bolts or equivalent to ground



Cover post support with supplied cap

Slide timber to post support



Install 2x VUEBOLT or appropriate M12 bolts fastened with hex nuts

NOTES:

- Method 1 is suitable when a larger tolerance of adjustment is needed after bolt holes are drilled. Washers are used in this fixing type to provide hold down strength to post support.
- Method 2 is suitable when precise fixing and excellent holding strength are desired.
- Ensure that suitable M12 concrete bolts are used when bolting post support to ground.
- VUEBOLT may be used as an alternative to standard M12 bolts when fixing post support to timber posts for a concealed and smooth finish.

DESIGN CAPACITY DATA

Table 81: Design capacities for Stainless Steel 90mm Bolt Down Post Support

Load Case	Design Capacity, N _{dj} (kN)		
	JD3	JD4	JD5
Uplift capacity	10.3	8.3	7.2

NOTES:

- Ensure that suitable M12 stainless steel concrete bolts are used when bolting post support to ground.
- Use only stainless steel bolts with stainless steel post support, usage of other steel materials bolt with stainless steel post support may lead to bimetallic corrosion.
- Design Capacity in Table 81 applies to VUETRADE Stainless Steel 90mm Bolt Down Post Supports where 2x M12 SS bolts are installed and tightly fastened with nuts through saddles.
- Design capacity for post supports bolted to concrete assume that there is sufficient anchorage in the concrete to resist the pull-out force imposed by wind loading.
- Timber post dimensions must have minimum dimensions of 90mm by 90mm section and shall be installed flat to the base of the post support.
- Design capacities in Table 81 are for forces in the vertical direction (wind uplifts) only and are obtained under test conditions defined in AS1649-2001 - Timber - Methods of test for mechanical fasteners and connectors & uplift capacity requirements outlined in AS1720.1-2010 - Timber structures, Part 1: Design methods.
- VUETRADE Post Supports should only be used to resist wind uplift / dead load as specified in the TDS and should not be assumed to provide lateral stability. Sufficient bracing should be provided and approved by a structural engineer for lateral stability.
- Design capacity of post support may be limited by the withdrawal tensile capacity of concrete bolts used to fasten post support to concrete ground. Ensure that suitable concrete bolts are used for above design capacity to be valid.





Timber Connectors Compliance Data



STAINLESS STEEL BOLT DOWN POST SUPPORTS



BOLTED TO CONCRETE



APPLICATION

Stainless Steel Bolt Down Post Supports are anchors ideal for bolting down timber posts in coastal areas.

SPECIFICATION

VUETRADE Stainless Steel Bolt Down Post Supports are available in SS304 and SS316 with a plate thickness of 3mm (100mm Bolt Downs) and 4mm (rest of range).

FASTENERS

- Saddle:** 2x Stainless Steel VUEBOLT or appropriate M12 bolts with hex nuts
- Base:** 2 / 4x M12 stainless steel concrete bolts or equivalent in specified bolt holes*

* Stirrup Sizes 125mm and larger will have 4x bolt holes in base.

Only use stainless steel fasteners (bolts) with stainless steel post support, usage of other steel materials may lead to bimetallic corrosion.

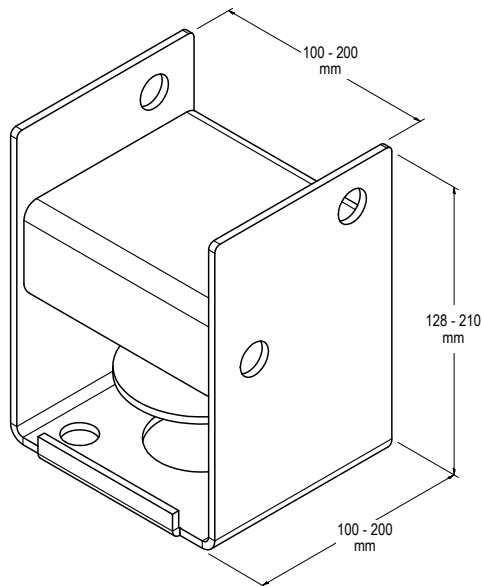
SIZES

Product Code	Stirrup Size (mm)	Saddle & Base Thickness (mm)	Box Qty
VBPS100SS	100	3	10
VBPS115SS	115	4	10
VBPS125SS	125	4	10
VBPS135SS	135	4	10
VBPS140SS304	140	4	1
VBPS150SS304	150	4	1
VBPS200SS	200	4	10

Codes above are for Stainless Steel 304 products, for Stainless Steel 316 add '316' to the end of the code.

NOTE:

'Tea-staining' is a cosmetic issue with some VUETRADE Stainless Steel Post Supports (more prevalent in SS304) but this does not affect the structural integrity or material lifetime of the post support.

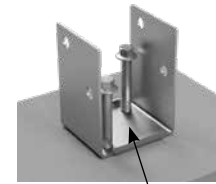


Timber Connectors Compliance Data



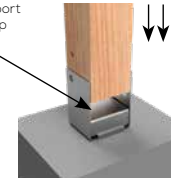
INSTALLATION GUIDE AND BOLT FIXING SCHEDULE

Drill 2x 13mm Ø holes in timber to fit M12 bolts



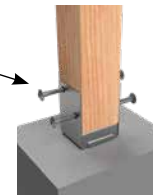
Install 2 / 4x M12 stainless steel concrete bolts or equivalent to ground

Cover post support with supplied cap



Slide timber to post support

Install 2x Stainless Steel VUEBOLT or appropriate M12 bolts fastened with hex nuts



NOTES:

- Ensure that suitable Stainless Steel M12 concrete bolts are used when bolting post support to ground.
- VUEBOLT may be used as an alternative to standard M12 bolts when fixing post support to timber posts for a concealed and smooth finish.

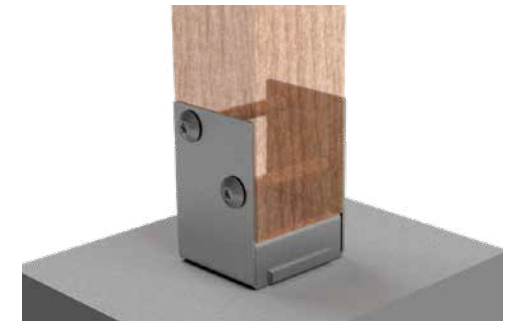
DESIGN CAPACITY DATA

Table B2: Design Capacity of Stainless Steel Bolt Down Post Support in different joint groups

Load Case	Design Capacity, N _{dj} (kN)					
	J3	J4	J5	JD3	JD4	JD5
Uplift capacity	9.4	7.5	6.5	11.8	9.4	8.2

NOTES:

- Ensure that suitable M12 stainless steel concrete bolts are used when bolting post support to ground.
- Use only stainless steel bolts with stainless steel post support, usage of other steel materials bolt with stainless steel post support may lead to bimetallic corrosion.
- Fixing of stainless steel VUEBOLT may be used as an alternative to standard M12 bolts when fixing post support to timber posts for smooth architectural finish.
- Design capacity in the above table applies to VUETRADE Post Supports where 2x M12 SS bolts are installed and tightly fastened with hex nuts.
- Bolts at the base of the post supports must have sufficient anchorage to resist wind uplift.
- Timber post dimensions must have a minimum dimension of 100mm by 100mm section.
- Design capacities in both tables are for forces in the vertical direction (wind uplifts) only and are obtained under test conditions defined in AS1649-2001 - *Timber - Methods of test for mechanical fasteners and connectors* & uplift capacity requirements outlined in AS1720.1-2010 - *Timber structures, Part 1: Design methods*.
- VUETRADE Post Supports should only be used to resist wind uplift / dead load as specified in the TDS and should not be assumed to provide lateral stability. Sufficient bracing should be provided and approved by a structural engineer for lateral stability.
- Design capacity of post support may be limited by the withdrawal tensile capacity of concrete bolts used to fasten post support to concrete ground. Ensure that suitable concrete bolts are used for above design capacity to be valid.





**STAINLESS STEEL
T-BLADE POST SUPPORTS**



**BOLTED TO
CONCRETE**

APPLICATION

Stainless Steel T-Blade Post Supports are brackets ideal for concealed, bolted fixing of feature timber posts on the coast.

SPECIFICATION

VUETRADE Stainless Steel T-Blade Post Supports are made from 10mm thick steel and are available in two different materials, SS304 and SS316.

FASTENERS

Saddle: 4x Stainless Steel VUEBOLT or appropriate M12 / M16 bolts with hex nuts*

Base: 4x stainless steel M12 / M16 concrete bolts or equivalent*

* Based on product size.

Only use stainless steel fasteners (bolts) with stainless steel post support, usage of other steel materials may lead to bimetallic corrosion.

See installation guide for full fastening details.

SIZES

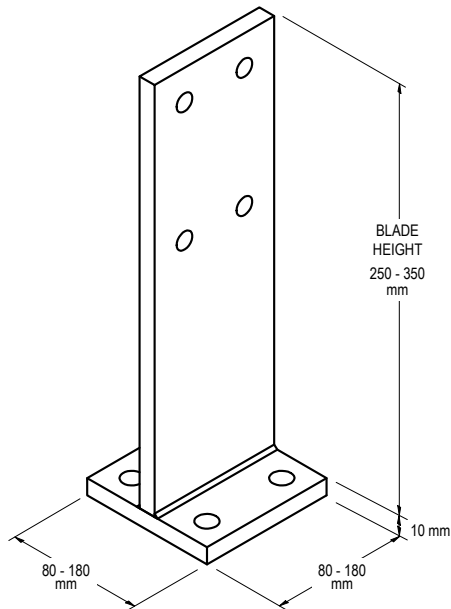
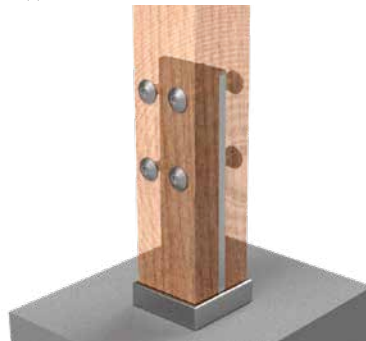
Table 83: Stainless Steel T-Blade Product Sizes

Product Code	Blade Height (mm)	Base Size (mm x mm)	Post Size Suitability (mm)	Bolt Size	Box Qty
VBPTB 90100SS	250	80 x 80	90 - 100	M12	6
VBPTB 115140SS	275	110 x 110	115 - 140	M16	6
VBPTB 150180SS	300	140 x 140	150 - 180	M16	4
VBPTB 180200SS	350	180 x 180	180 - 250	M16	2

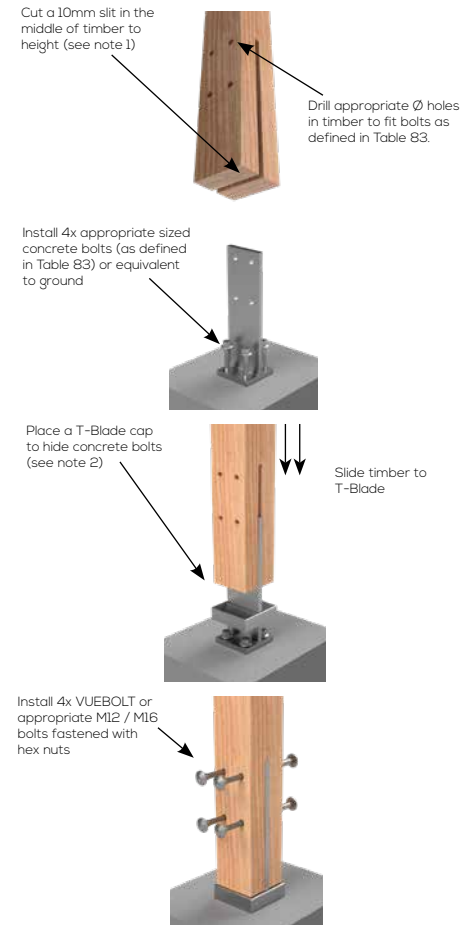
Codes above are for Stainless Steel 304 products, for Stainless Steel 316 add '316' to the end of the code.

NOTE:

'Tea-staining' is a cosmetic issue with some VUETRADE Stainless Steel Post Supports (more prevalent in SS304) but this does not affect the structural integrity or material lifetime of the post support.



INSTALLATION GUIDE AND BOLT FIXING SCHEDULE



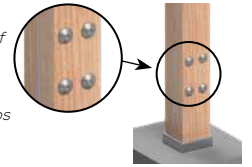
NOTES:

- VUETRADE has prepared a comprehensive cutting schedule for all sizes of T-Blade post supports containing precise cutting and drilling measurements. Refer to the VUETRADE T-Blade Post Support webpage to access the cutting schedule.
- T-Blade cap sold separately, VUETRADE recommends fitting T-Blade caps on T-Blade for concealed finish. Visit the VUETRADE T-Blade cap page here for more information.
- VUEBOLT may be used as an alternative to standard bolts when fixing post support to timber posts for a concealed and smooth finish.



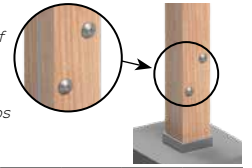
DESIGN CAPACITY DATA

Table 84: Design capacity of Stainless Steel T-Blade Post Support fixed with 4x bolts on various timber joint groups



Joint Group	J3	J4	J5	JD3	JD4	JD5
M12 Bolt	47.4	37.7	32.6	57.0	47.4	41.4
M16 Bolt	57.0	57.0	57.0	57.0	57.0	57.0

Table 85: Design capacity of Stainless Steel T-Blade Post Support fixed with 2x bolts on various timber joint groups



Joint Group	J3	J4	J5	JD3	JD4	JD5
M12 Bolt	23.7	18.8	16.3	29.5	23.7	20.7
M16 Bolt	42.3	33.3	28.8	52.3	42.3	36.7

NOTES:

- The design capacity of Stainless Steel T-Blade is capped at 57kN. 57kN is the maximum uplift force from the test carried out before the bolt from the base of the grip failed. At this point, there were no signs of failure in the T-Blade except for minor cupping at its base.
- The capacities were determined based on loads that are acting parallel to the grain of the timber.
- Modification factors k1 for different load cases are adopted from AS17201-2010.
- Design capacities in the above tables are based on Category 1 joints where it is applicable for failures that would be unlikely to affect an area of greater than 25m². For Category 2 and Category 3 joints, design capacities from the table are multiplied by 0.941 and 0.882 respectively.
- VUETRADE Post Supports should only be used to resist wind uplift / dead load as specified in the TDS and should not be assumed to provide lateral stability. Sufficient bracing should be provided and approved by a structural engineer for lateral stability.
- Two bolts may be used instead of four, however strength verification must be conducted by a structural engineer to ensure that the two bolt usage is acceptable.
- If fixing using two bolts, bolts should be fixed using non-adjacent bolt holes (use holes diagonally as shown in figure above).





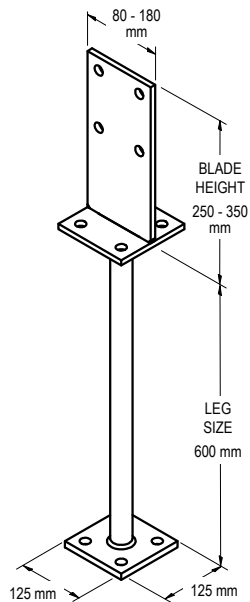
**STAINLESS STEEL
T-BLADE POST SUPPORT WITH LEG**



BOLTED TO CONCRETE



CAST INTO CONCRETE



APPLICATION

Stainless Steel T-Blade Post Supports with Legs are concealed anchors ideal for coastal use, installed by bolting timber posts onto or setting them into concrete.

SPECIFICATION

VUETRADE Stainless Steel T-Blade Post Supports are 600mm long x 35 or 73mm diameter leg and available in SS304 or SS316.

FASTENERS

Saddle: 4x Stainless Steel VUEBOLT or appropriate M12 / M16 bolts with hex nuts*

Base: 4x stainless steel M12 / M16 concrete bolts or equivalent*

* Based on product size.

Only use stainless steel fasteners (bolts) with stainless steel post support, usage of other steel materials may lead to bimetallic corrosion.

SIZES

All VUETRADE T-Blade Post Supports are 10mm in thickness.

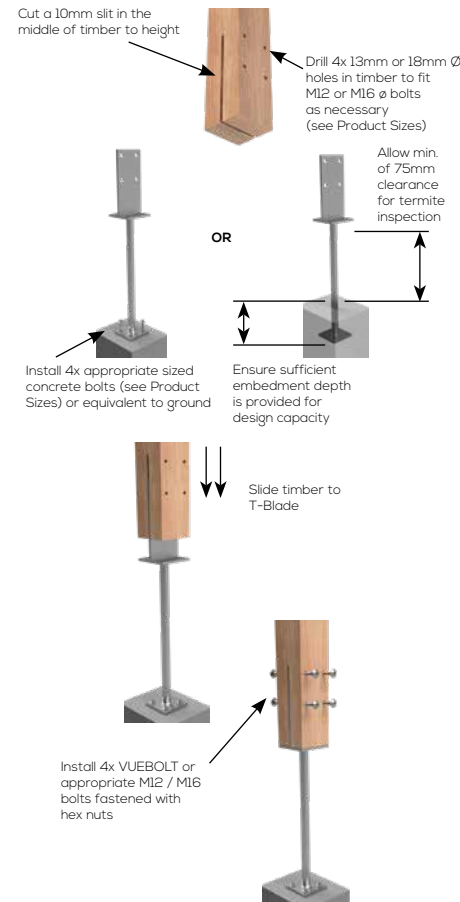
Product Code	Blade Height (mm)	Base Size (mm x mm)	Suits Post Size (mm)	Bolt Size	Leg Dimensions (mm)
VHDBLPS 60080SS	250	80 x 80	90-100	M12	600 x 35Ø
VHDBLPS 600110SS	275	110 x 110	115-140	M16	600 x 35Ø
VHDBLPS 600140SS	300	140 x 140	150-180	M16	600 x 35Ø solid leg
VHDBLPS 600180SS	350	180 x 180	180-200	M16	600 x 73Ø

* Stainless Steel 316 and custom sizes are also available, refer to the VUETRADE Stainless Steel T-Blade Post Support with Leg webpage.

NOTE:

'Tea-staining' is a cosmetic issue with some VUETRADE Stainless Steel Post Supports (more prevalent in SS304) but this does not affect the structural integrity or material lifetime of the post support.

INSTALLATION GUIDE AND BOLT FIXING SCHEDULE



NOTES:

1. Embedment depth of the T-Blade post support should be determined and calculated by a Structural Engineer in order to achieve the reported design load. This usually depends on the type of concrete used, aggregate ratio etc.
2. 75mm clearance must be provided to conform to the requirements set out by AS3660.1:2014 - Termite management, Part 1: New building work.
3. Use only Stainless Steel bolts when fastening with a Stainless Steel post support; do not use galvanised bolts as it may lead to accelerated corrosion to the post support and the bolts.



DESIGN CAPACITY DATA

Table 86: Design capacity of Stainless Steel T-Blade Post Support with Leg fixed with 4x bolts on various timber joint groups

Joint Group	J3	J4	J5	JD3	JD4	JD5
M12 Bolt	47.4	37.7	32.6	57.0	47.4	41.4
M16 Bolt	57.0	57.0	57.0	57.0	57.0	57.0

Table 87: Design capacity of Stainless Steel T-Blade Post Support with Leg fixed with 2x bolts on various timber joint groups

Joint Group	J3	J4	J5	JD3	JD4	JD5
M12 Bolt	23.7	18.8	16.3	29.5	23.7	20.7
M16 Bolt	42.3	33.3	28.8	52.3	42.3	36.7

NOTES:

1. The design capacity of Stainless Steel T-Blade is capped at 57kN. 57kN is the maximum uplift force from the test carried out before the bolt from the base of the grip failed. At this point, there were no signs of failure in the T-Blade except for minor cupping at its base.
2. The capacities were determined based on loads that are acting parallel to the grain of the timber.
3. Modification factors k1 for different load cases are adopted from AS1720.1-2010.
4. Design capacities in the above tables are based on Category 1 joints where it is applicable for failures that would be unlikely to affect an area of greater than 25m². For Category 2 and Category 3 joints, design capacities from the table are multiplied by 0.941 and 0.882 respectively.
5. VUETRADE Post Supports should only be used to resist wind uplift / dead load as specified in the TDS and should not be assumed to provide lateral stability. Sufficient bracing should be provided and approved by a structural engineer for lateral stability.
6. Two bolts may be used instead of four, however strength verification must be conducted by a structural engineer to ensure that the two bolt usage is acceptable.
7. If fixing using two bolts, bolts should be fixed using non-adjacent bolt holes (use holes diagonally as shown in figure above).

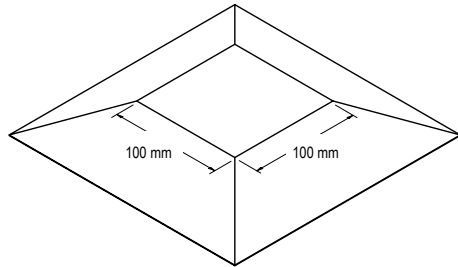




Timber Connectors Compliance Data



STAINLESS STEEL ANT CAPS



SIZE

Product Code	Size (mm)	Flange Size	Details
ANTCAPSS	100 x 100	25mm	No Hole

AS3660.1:2014 TERMITE MANAGEMENT PART 1: NEW BUILDING WORK

Material Specifications for Ant Caps

- Minimum thickness of 0.5mm.
- Steel shall be galvanised as minimum in accordance to AS/NZS4680:2006 with zinc and coating class of at least Z275.

Design Specifications

- The ant cap shall have a plane surface of size and shape to fully cover the top of the post.
- The ant cap shall project on all sides so that no edge shall be less than 40mm from the vertical face of the wall when the edges are turned down at an angle from the horizontal face. (i.e. flange size should be more than 40mm)
- Ensure that correct ant cap materials are used in appropriate corrosion exposure zones to minimise corrosion attack. For high corrosion exposure zones, Stainless Steel ant caps are recommended.
- Ensure that Ant Cap does not come in contact with other components of building work where electrolytic corrosion may occur and induce accelerated corrosion, i.e. Stainless Steel Ant Cap should not come in contact with a galvanised frame.

APPLICATION

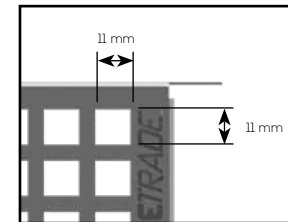
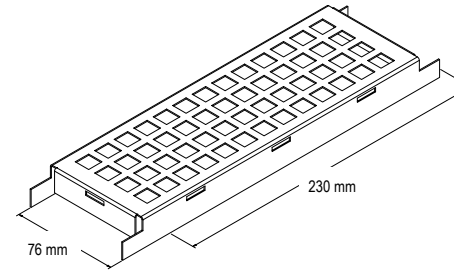
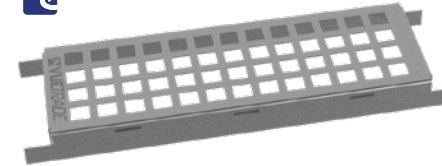
VUETRADE Stainless Steel Ant Caps provide a barrier between supporting timber, metal or masonry stumps / bases and floor timbers; and are specifically for use in areas where termites invade and degrade timber construction.

SPECIFICATION

VUETRADE Stainless Steel Ant Caps are manufactured out of Stainless Steel 316, SS316 which contains 2-3% molybdenum provides better corrosion resistance for use in coastal areas.



STAINLESS STEEL SUB FLOOR PUNCHED GRID VENTS



APPLICATION

VUETRADE Stainless Steel Sub Floor Punched Grid Vents provide ventilation in brick and block walls. These vents are designed to be inserted into the wall during masonry construction. In areas that are prone to bush fires, an anti-spark mesh panel insert is also available to a rating of BAL-40.

SPECIFICATION

VUETRADE Stainless Steel Sub Floor Punched Grid Vents are manufactured out of Stainless Steel 316.

SUB FLOOR PUNCHED GRID VENTS

- Material:** Stainless Steel 316
Hole Size: 11mm by 11mm (See figure below)
Air Flow: Refer to table below

ANTI SPARK SUB FLOOR PUNCHED GRID VENTS

- Material:** Stainless Steel 316
Wire diameter: 0.9mm
Aperture: 164mm
BAL Rating: Up to and including BAL-40 (40kW/m²)

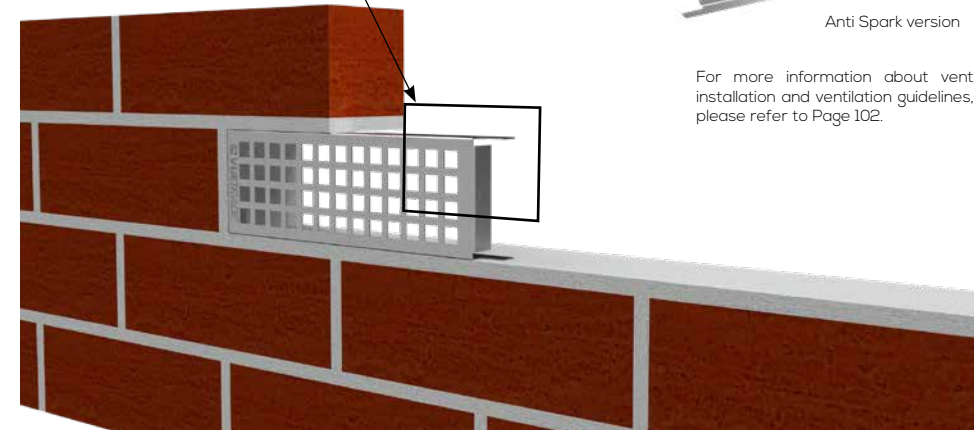
SIZES

Product Code	Size (mm)	Air Flow (mm ²)	Box Qty
VTSFV230X76SS	230 x 76	6 178	20
VTSFVAS230X76SS	230 x 76	2 576	20



Anti Spark version

For more information about vent installation and ventilation guidelines, please refer to Page 102.





Timber Connectors Compliance Data

STAINLESS STEEL R3 BRICK VENEER TIES

APPLICATION

VUETRADE Brick Veneer Ties function as a means of joining the cavity of wall frames and brickwork together and are often installed during construction. Brick Ties are important in the stability of a building.

They are suitable for use with TIMBER FRAMES only.

LIGHT DUTY WITH NAILS



SPECIFICATION

VUETRADE Light Duty Brick Veneer Ties are rated as light duty conforming to AS2699.1:2020 and AS3700:2018.

Cavity Width 50mm

Usage 1km to 10km from breaking surf,
or 100m to 1km from sheltered coastal

Fixing Use only the supplied VUETRADE
30mm x 3.2mm Ø Stainless Steel Fixing Nail

MEDIUM DUTY WITH SCREWS



SPECIFICATION

VUETRADE Medium Duty Brick Veneer Ties are rated as medium duty conforming to AS2699.1:2020 and AS3700:2018.

Cavity Width 50mm

Usage 1km to 10km from breaking surf,
or 100m to 1km from sheltered coastal

Fixing Use only the supplied VUETRADE
30mm x 4.5mm Ø Stainless Steel Fixing Screw

DETAILS

Product Code	Material	Durability Classification	Box Qty
VBTLDR3	SS 304	R3	150
VBTMDR3	SS 304	R3	150



Timber Connectors Compliance Data



STAINLESS STEEL R4 BRICK VENEER TIES

APPLICATION

VUETRADE R4 Brick Veneer Ties are made of Stainless Steel 316, and allow for higher resistance than that of R2 or R3 Ties.

They are suitable for use with TIMBER FRAMES only.

LIGHT DUTY WITH NAILS



SPECIFICATION

VUETRADE Light Duty Brick Veneer Ties are rated as light duty conforming to AS2699.1:2020 and AS3700:2018.

Cavity Width 50mm

Usage Within 1km from breaking surf,
or within 100m from sheltered coastal

Fixing Use only the supplied VUETRADE
30mm x 3.2mm Ø Stainless Steel Fixing Nail

MEDIUM DUTY WITH SCREWS



SPECIFICATION

VUETRADE Medium Duty Brick Veneer Ties are rated as medium duty conforming to AS2699.1:2020 and AS3700:2018.

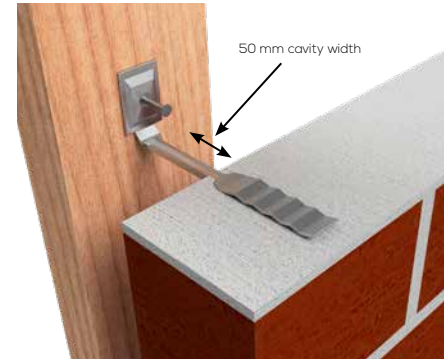
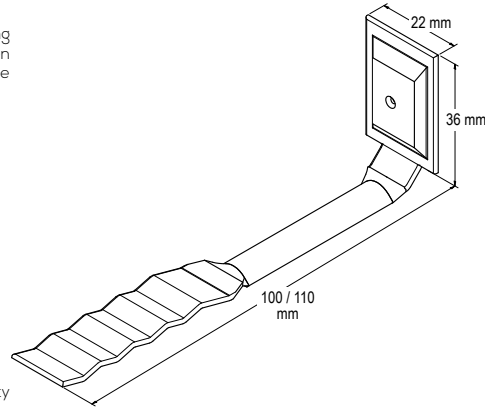
Cavity Width 50mm

Usage Within 1km from breaking surf,
or within 100m from sheltered coastal

Fixing Use only the supplied VUETRADE
30mm x 4.5mm Ø Stainless Steel Fixing Screw

DETAILS

Product Code	Material	Durability Classification	Box Qty
VBTLDR4	SS 316	R4	150
VBTMDR4	SS 316	R4	150



R3 DURABILITY CLASSIFICATION

1km to 10km from breaking surf,
or 100m to 1km from sheltered coastal



R4 DURABILITY CLASSIFICATION

Within 1km from breaking surf,
or within 100m from sheltered coastal

The suitability of brick ties in different environmental conditions can be determined by reading off the specification area chart based on the type of environment and the distance where the brick ties will be used.

It is important to use the recommended brick tie classification to reduce the risk of brick tie corrosion that may affect the overall structure integrity.

Note: VUETRADE does not cover corrosion protection on heavy industrial areas as additional or highly specific requirements may be required.

For more information see Page 166.

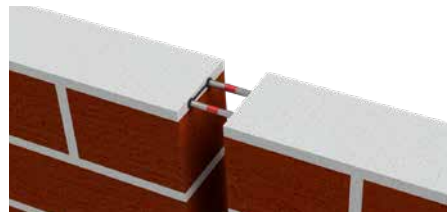
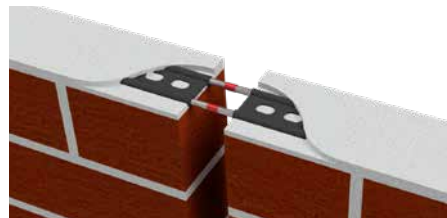
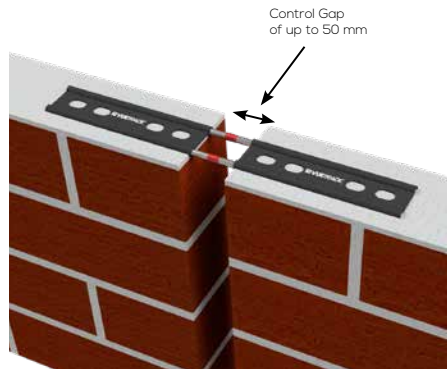
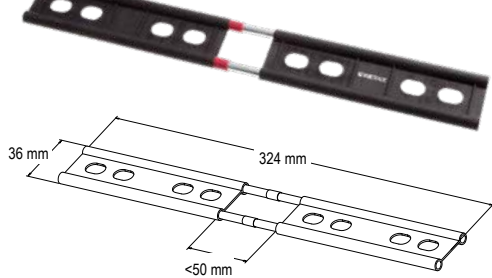




Timber Connectors Compliance Data



STAINLESS STEEL DOUBLE SLEEVE EXPANSION TIES



APPLICATION

VUETRADE Stainless Steel Double Sleeve Expansion Ties are a rod tie designed for vertical expansion joints. The rods have a plastic casing on each end which is laid into either side of the construction joint allowing movement.

SPECIFICATION

Bar Diameter:	5.5mm
Material:	Stainless Steel 316
Sleeve:	Polypropylene

DURABILITY

VUETRADE Double Sleeve Expansion Ties complies with the durability classification of AS2699.1:2020 as follow:

VTDSST (Stainless Steel 316): Durability classification R4

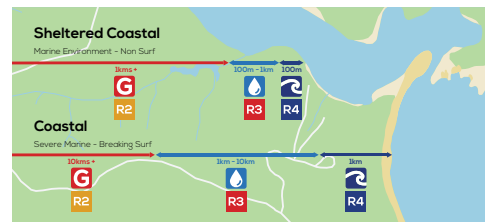
SIZES

Product Code	Maximum Control Gap	Durability Classification	Box Qty
VTDSST	50mm	R4	50

R4

DURABILITY CLASSIFICATION

Within 1km from breaking surf,
or within 100m from sheltered coastal



The suitability of brick ties in different environmental conditions can be determined by reading off the specification area chart based on the type of environment and the distance where the brick ties will be used.

It is important to use the recommended brick tie classification to reduce the risk of brick tie corrosion that may affect the overall structure integrity.

Note: VUETRADE does not cover corrosion protection on heavy industrial areas as additional or highly specific requirements may be required.

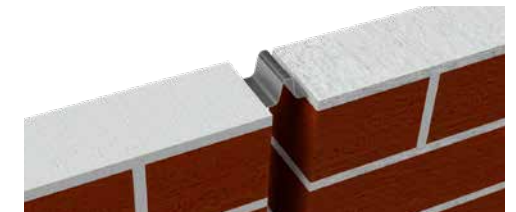
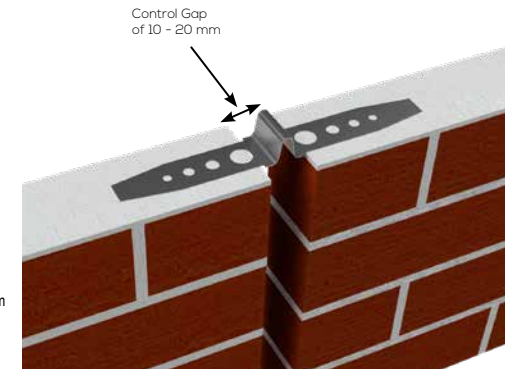
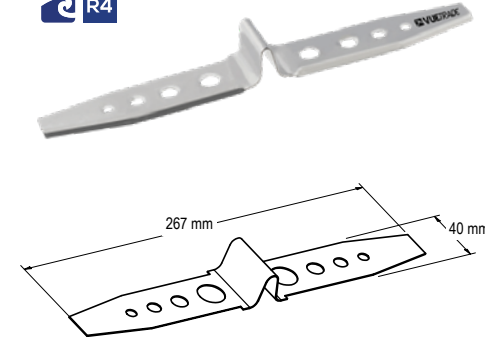
For more information see Page 166.



Timber Connectors Compliance Data



STAINLESS STEEL EXPANSION TIES



APPLICATION

VUETRADE Stainless Steel Expansion Ties features two ends with holes designed to hold in bed joints and a pre-bent middle section to provide a 10-20mm control gap during construction to accommodate for expansions.

SPECIFICATION

Material & Corrosion protection: Stainless Steel 316

DURABILITY

VUETRADE Expansion Ties are manufactured in Stainless Steel 316 which has a durability classification of R4 as per AS2699.1:2020.

VUETRADE Expansion Ties are tested and are compliant to AS2699.2:2020.

PRODUCT RANGES

Product Code	Maximum Control Gap	Durability Classification	Box Qty
VTEXTSS	20 mm	R4	60

R4

DURABILITY CLASSIFICATION

Within 1km from breaking surf,
or within 100m from sheltered coastal



The suitability of brick ties in different environmental conditions can be determined by reading off the specification area chart based on the type of environment and the distance where the brick ties will be used.

It is important to use the recommended brick tie classification to reduce the risk of brick tie corrosion that may affect the overall structure integrity.

Note: VUETRADE does not cover corrosion protection on heavy industrial areas as additional or highly specific requirements may be required.

For more information see Page 166.



CYCLONIC

for high wind areas

Some parts of Australia, most notably in Queensland and northern NSW, can be faced with extreme high wind events

Adequate tie-down and product usage is directed in the Australian Standards

Suitable VUETRADE connectors are highlighted with a Cyclonic icon

High wind areas

In order to provide high quality buildings and structures, it is crucial that all products and practices are appropriate for your specific area.

Certain parts of Queensland and northern NSW are known to have regular high-wind events that structures should be prepared for.

Strong winds and cyclonic conditions can cause extensive and expensive damage to your structures.

AS1684.3 Compliant

VUETRADE supply a comprehensive range of post supports and framing connectors that are specially designed to withstand harsher wind conditions.



Scan here

To view the Cyclonic Range on the VUETRADE website

Stainless Steel

If you are building in a high wind and a high corrosion environment, galvanised steel is likely to be insufficient.

This may depend on your distance to the coastline (and whether this coastline is breaking surf or a sheltered bay), whether the location is considered industrial, or even if you building around a pool.

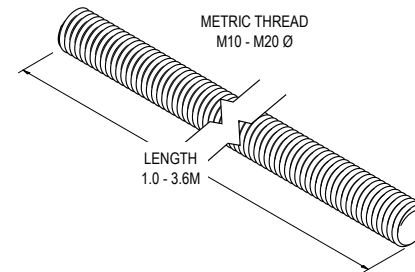
Once you are aware of the level of potential corrosion, you can confidently choose an appropriate material and product for your site.

How to know if I require a Cyclonic product?

The Australian Standards AS4055:2012 & AS/NZS 1170.2:2021 refer to wind ratings and speeds for your area, however should you consider that this is not sufficient information for your project it may be worth booking a wind assessment with an independent professional.



THREADED ROD



APPLICATION

VUETRADE Threaded Rod is a multi-purpose threaded connector used for various tie-down, bracing, support and fastening applications.

SPECIFICATION

VUETRADE Threaded Rod can be used in conjunction with supporting VUETRADE galvanised timber connectors to provide strong tie-down solutions for timber framing in high wind areas.

VUETRADE Threaded Rod is manufactured from Steel Grade 4.8 conforming to the mechanical and chemical requirement of ISO898-1 and is available in metric coarse thread from M10 to M20 with lengths of 1.0m to 3.6m.



SIZES

Product Code	Metric thread	Length	Bundle Qty
VTRGALM10100	M10	1.0 m	10
VTRGALM10300	M10	3.0 m	10
VTRGALM12100	M12	1.0 m	10
VTRGALM12270	M12	2.7 m	10
VTRGALM12300	M12	3.0 m	10
VTRGALM12360	M12	3.6 m	5
VTRGALM16100	M16	1.0 m	10
VTRGALM16300	M16	3.0 m	5
VTRGALM16360	M16	3.6 m	5
VTRGALM20100	M20	1.0 m	5
VTRGALM20300	M20	3.0 m	2

INSTALLATION METHODS / FIXING DETAILS

Tie-down and bracing solutions including the use of threaded rod should be provided and approved by a structural engineer. Usage of threaded rod with other VUETRADE timber connectors must refer to individual product's Technical Data Sheet for specific fixing details.

DESIGN CAPACITY DATA

Table 89: Threaded Rod Design Capacity

Size	Pitch (mm)	Stress Area (mm ²)	Tensile Strength (kN)	Proof Loads (kN)
M10	1.50	58.0	24.4	18.0
M12	1.75	84.3	35.4	26.1
M16	2.00	157.0	65.9	48.7
M20	2.50	245.0	103.0	76.0

NOTES:

- Metric coarse threads of threaded rod conform to ISO965-2 for 6g threads.
- Threaded rod conforms to the mechanical and physical properties of ISO898-1 and DIN976 for a property class of 4.8.
- Hot Dip Galvanised of threaded rod conforms to ISO1461.
- Nuts and couplers used with threaded rod shall be tightened until snug tight with a wrench.

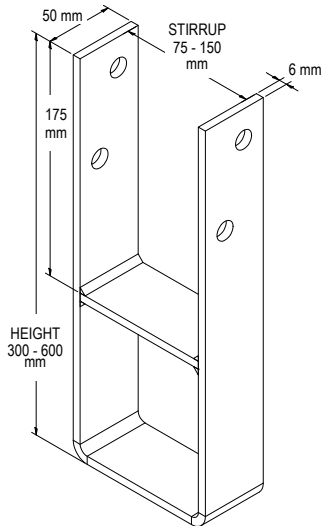
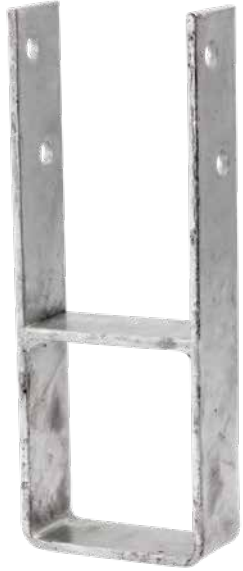




Timber Connectors Compliance Data



CYCLONIC POST SUPPORTS



APPLICATION

VUETRADE Cyclonic Post Anchor is engineered and designed for use in cyclonic prone areas. The U-shaped base provides excellent anchorage setting into concrete to withstand large force imposed by high winds and cyclones.

SPECIFICATION

VUETRADE Cyclonic Post Support are manufactured out of G300 steel of 6mm thickness and corrosion protected with Hot-Dipped Galvanised.

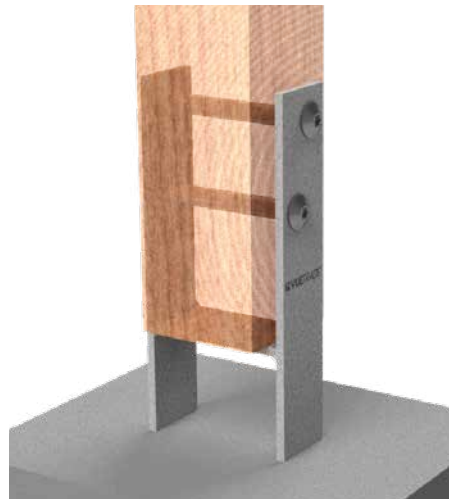
FASTENERS

Saddle: 2x Zinc-Nickel Coated VUEBOLT or appropriate M12 bolts with hex nuts

SIZES

Product Code	Height (mm)	Stirrup Size (mm)	Box Qty
VCYPS30090	300	90	6
VCYPS300100	300	100	6
VCYPS45090	450	90	6
VCYPS450100	450	100	6
VCYPS450115	450	115	6
VCYPS450125	450	125	6
VCYPS60075	600	75	6
VCYPS60090	600	90	6
VCYPS600100	600	100	6
VCYPS600115	600	115	6
VCYPS600125	600	125	6
VCYPS600140	600	140	6
VCYPS600150	600	150	6
VCYPS60090BK *	600	90	6

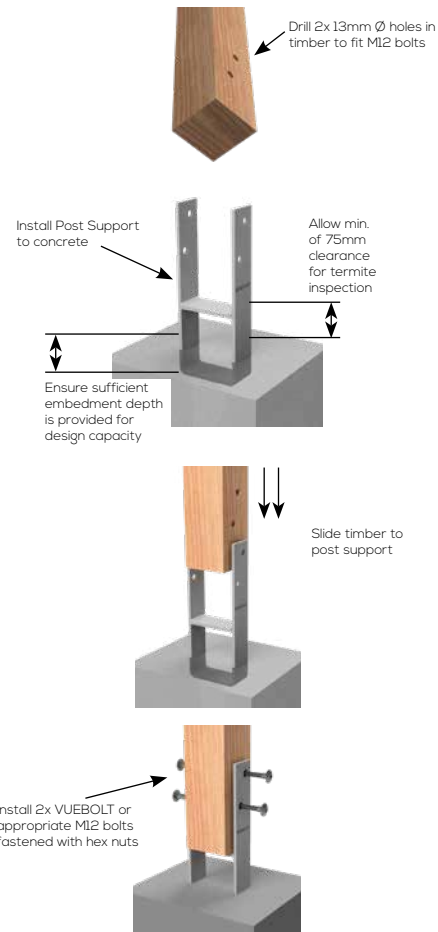
* BLACKOUT Cyclonic Post Supports are manufactured in 6.0mm steel, corrosion protected with Hot-Dipped Galvanised and then black powder coated.



Timber Connectors Compliance Data



INSTALLATION GUIDE AND BOLT FIXING SCHEDULE



NOTES:

1. Embedment depth of the cyclonic post support should be determined and calculated a by Structural Engineer to achieve the reported design load. This usually depends on the type of concrete used, aggregate ratio etc.
2. 75mm clearance must be provided to conform to the requirements set out by AS3660.1:2014 - Termite management, Part 1: New building work.
3. Refer to AS1684.3:2021 Table 9.20 (j) for reinforced rod installation requirements.

DESIGN CAPACITY DATA

Table 90: Design capacity of cyclonic post support

Load Directions	Design Capacity, Ndj (kN) for timber species group JD4
Wind Uplift	41 kN

NOTES:

1. Design capacity in Table 90 applies to VUETRADE cyclonic post support where 2x M12 bolts are installed and tightly fastened with nuts.
2. Timber post dimensions must have minimum dimensions of 90mm by 90mm and shall be installed flat to the base of the cyclonic post support.
3. The design capacities are calculated based on the assumption that there is sufficient anchorage in the concrete to resist the pull-out force imposed by wind loading.
4. Design capacity in both tables are for wind uplift (vertical force direction) only and are obtained under test condition set out in AS1649-2001 - Timber - Methods of test for mechanical fasteners and connectors, along with appropriate computation from AS1720.1-2010.
5. VUETRADE Post Supports should only be used to resist wind uplift / dead load as specified in the TDS and should not be assumed to provide lateral stability. Sufficient bracing should be provided and approved by a structural engineer for lateral stability.





Timber Connectors Compliance Data



DOUBLE T-BLADE POST SUPPORT



BOLTED TO CONCRETE



CAST INTO CONCRETE



APPLICATION

VUETRADE Double T-Blade Post Supports are used as a concealed post supports on large decorative posts. Its 10 mm steel thickness throughout the product offers a strong, solid connection to be bolted down or cast into a concrete base.

SPECIFICATION

VUETRADE Galvanised Double T-Blade Post Supports are manufactured in 10mm steel and corrosion protected with Hot Dipped Galvanised as per AS/NZS 4680:2006.

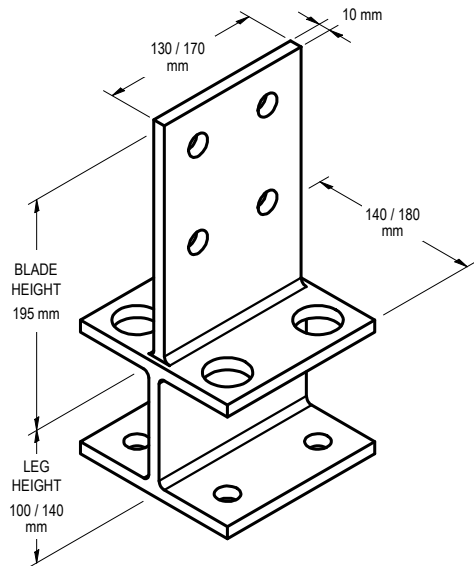
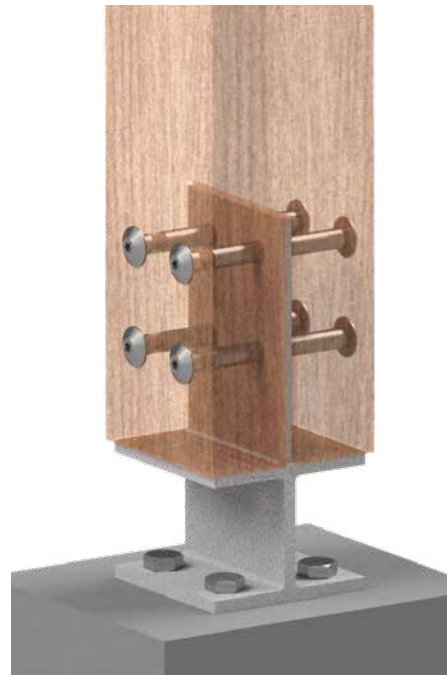
FASTENERS

Saddle: 4x VUEBOLT or appropriate M16 bolts with hex nuts

Base: 4x M16 concrete bolts or equivalent

PRODUCT SIZES

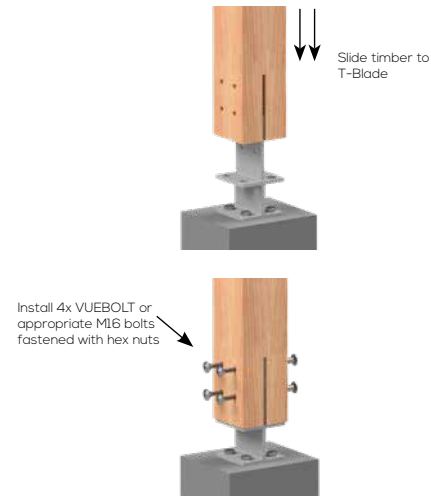
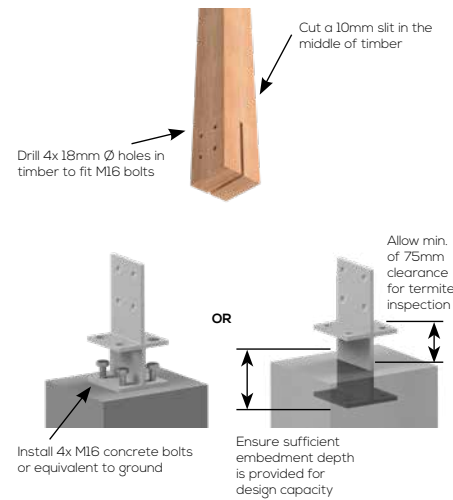
Product Code	Blade Height (mm)	Leg Height (mm)	Base Size (mm x mm)	Post Size Suitability (mm)
VDTB150180	195	100	140 x 140	140 - 180
VDTB180200	195	140	180 x 180	180 - 200



Timber Connectors Compliance Data



INSTALLATION GUIDE AND BOLT FIXING SCHEDULE

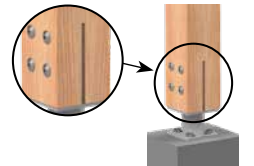


NOTES:

1. Embedment depth of VUETRADE Post Support should be determined and calculated by a Structural Engineer to achieve the reported design load. This usually depends on the type of concrete used, aggregate ratio etc.
2. 75mm clearance must be provided to conform to the requirements set out by AS3660:2014 - Termite management, Part 1: New building work.

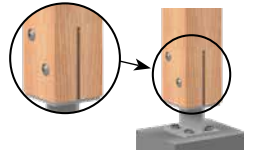
DESIGN CAPACITY DATA

Table 91: Design capacity of Double T-Blade Post Support fixed with 4x bolts on various timber joint groups



Load Case	Design Capacity, N _{dj} (kN)		
	JD3	JD4	JD5
Uplift capacity	57.0	57.0	54.3

Table 92: Design capacity of Double T-Blade Post Support fixed with 2x bolts on various timber joint groups



Load Case	Design Capacity, N _{dj} (kN)		
	JD3	JD4	JD5
Uplift capacity	38.8	31.4	27.2

NOTES:

1. Timber posts must have minimum dimensions of 140mm by 140mm section and shall be installed flat to the base of the post support.
2. Design capacities for post supports bolted or cast into concrete assumed that there is sufficient anchorage in the concrete to resist the pull-out force imposed by wind loading.
3. Design capacities in the above table are for wind uplift (vertical force direction) only and are obtained under strict in-house test conditions defined by AS1649-2001 - Timber - Methods of test for mechanical fasteners and connectors & uplift capacity requirements outlined in AS17201-2010 - Timber structures, Part 1: Design methods.
4. VUETRADE Post Supports should only be used to resist wind uplift / dead load as specified in the TDS and should not be assumed to provide lateral stability. Sufficient bracing should be provided and approved by a structural engineer for lateral stability.



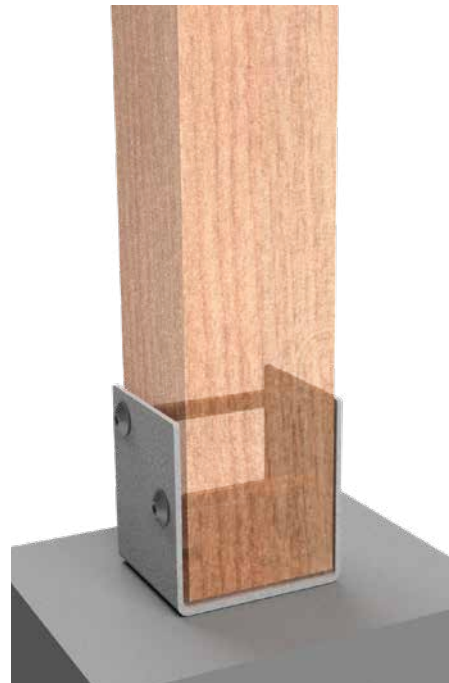
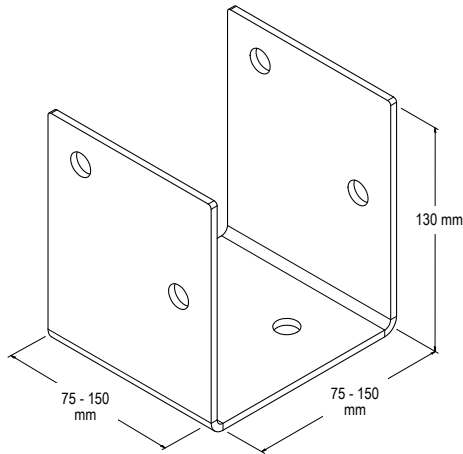


Timber Connectors Compliance Data

HEAVY DUTY U-CUP BOLT DOWN POST SUPPORTS



BOLTED TO CONCRETE



APPLICATION

Heavy Duty U-Cup Bolt Down Post Supports are heavy duty anchors ideal for bolting timber posts to existing timber decking or concrete bases.

SPECIFICATION

VUETRADE Heavy Duty U-Cup Bolt Down Post Support are manufactured from 4mm thick G300 steel and corrosion protected with Hot Dipped Galvanised. Available in wide range of sizes to suit many common timber post sizes.

FASTENERS

Saddle: 2x VUEBOLT or appropriate M12 bolts with hex nuts

Base: 2x M12 concrete bolts or equivalent

SIZES

Product Code	Size (mm)	Bolt Size	Box Qty
VHDBPS75	75	M12	10
VHDBPS90	90	M12	10
VHDBPS100	100	M12	10
VHDBPS115	115	M12	10
VHDBPS125	125	M12	10
VHDBPS140	140	M12	10
VHDBPS150	150	M12	10



Timber Connectors Compliance Data

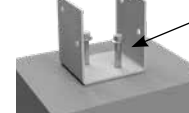


INSTALLATION GUIDE AND BOLT FIXING SCHEDULE

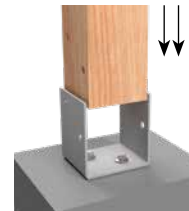
Drill 2x 13mm Ø holes in timber to fit M12 bolts



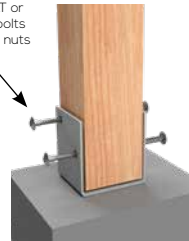
Install 2x M12 concrete bolts or equivalent to ground



Slide timber to post support



Install 2x VUEBOLT or appropriate M12 bolts fastened with hex nuts



DESIGN CAPACITY DATA

Table 93: Design capacities of Heavy Duty U-Cup Bolt Down Post Support

Load Case	Design Capacity, N _{dj} (kN)					
	J3	J4	J5	JD3	JD4	JD5
Uplift capacity	16.9	13.4	11.6	21.0	16.9	14.7

NOTES:

- Design capacity in Table 93 applies to VUETRADE Post Supports where 2x M12 bolts are installed and tightly fastened with hex nuts.
- Bolts at the base of the post supports must have sufficient anchorage to resist wind uplift.
- Timber post dimensions must have a minimum dimension of 75mm by 75mm section.
- Design capacities in above tables are for forces in the vertical direction (wind uplifts) only and are obtained under test conditions defined in AS1649-2001 - Timber - Methods of test for mechanical fasteners and connectors & uplift capacity requirements outlined in AS17201-2010 - Timber structures, Part 1: Design methods.
- VUETRADE Post Supports should only be used to resist wind uplift / dead load as specified in the TDS and should not be assumed to provide lateral stability. Sufficient bracing should be provided and approved by a structural engineer for lateral stability.
- Design capacity of post support may be limited by the withdrawal tensile capacity of concrete bolts used to fasten post support to concrete ground. Ensure that suitable concrete bolts are used for above design capacity to be valid.

NOTES:

- Ensure that suitable M12 concrete bolts are used when bolting post support to ground.
- Use only galvanised bolts with galvanised post support, usage of other steel materials bolt with galvanised post support may lead to bimetallic corrosion.
- Fixing of VUEBOLT may be used as an alternative to standard M12 bolts when fixing post support to timber posts for smooth architectural finish.

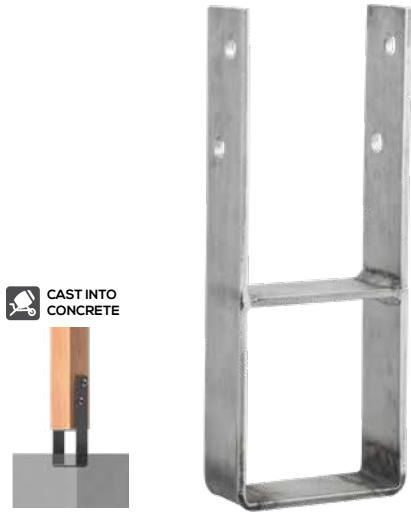




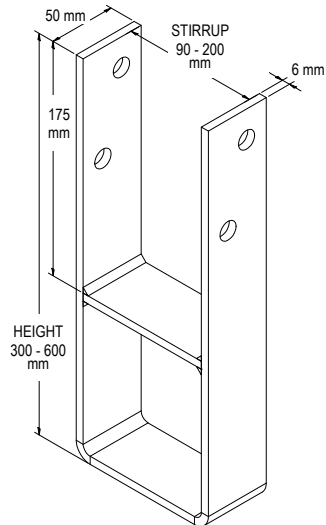
Timber Connectors Compliance Data



STAINLESS STEEL CYCLONIC POST SUPPORTS



CAST INTO CONCRETE



APPLICATION

The VUETRADE Cyclonic Post Support is engineered and designed for use in cyclone-prone and high wind areas. The U-shaped base provides excellent anchorage when set into concrete to withstand the large force imposed by high winds and cyclones.

SPECIFICATION

VUETRADE Cyclonic Post Supports are manufactured out of Stainless Steel 304 and 316 in 6mm thickness.

Use of stainless steel is recommended in applications where a high corrosion risk is expected and where hot-dipped galvanised corrosion protection is inadequate. Stainless Steel 316 has better corrosion protection characteristics than SS304 due to the presence of molybdenum in SS316.

FASTENERS

Saddle: 2x Stainless Steel VUEBOLT or appropriate M12 bolts with hex nuts

Only use stainless steel fasteners (bolts) with stainless steel post support, usage of other steel materials may lead to bimetallic corrosion.

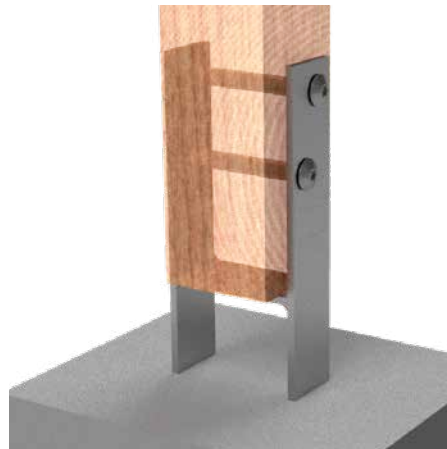
SIZES

Product Code	Height (mm)	Stirrup Size (mm)	Box Qty
VCYPS45090SS	450	90	6
VCYPS450100SS	450	100	6
VCYPS60090SS	600	90	6
VCYPS600100SS	600	100	6

* Custom sizes are also available, refer to the VUETRADE Stainless Steel Cyclonic Post Support webpage.

NOTE:

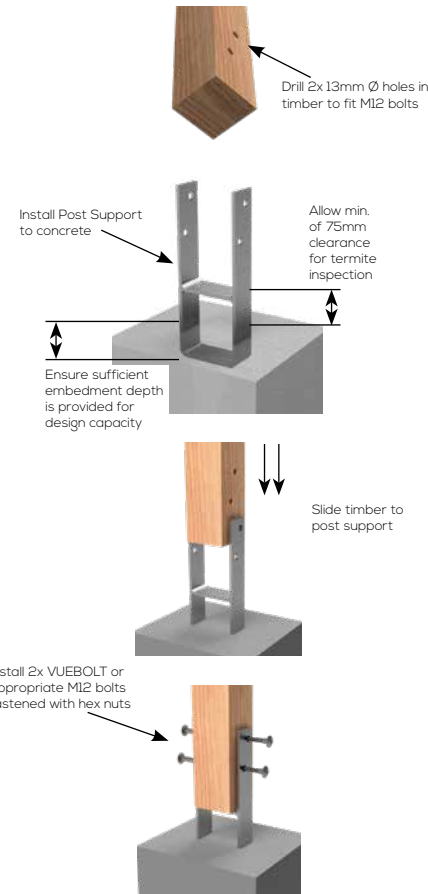
'Tea-staining' is a cosmetic issue with some VUETRADE Stainless Steel Post Supports (more prevalent in SS304) but this does not affect the structural integrity or material lifetime of the post support.



Timber Connectors Compliance Data



INSTALLATION GUIDE AND BOLT FIXING SCHEDULE



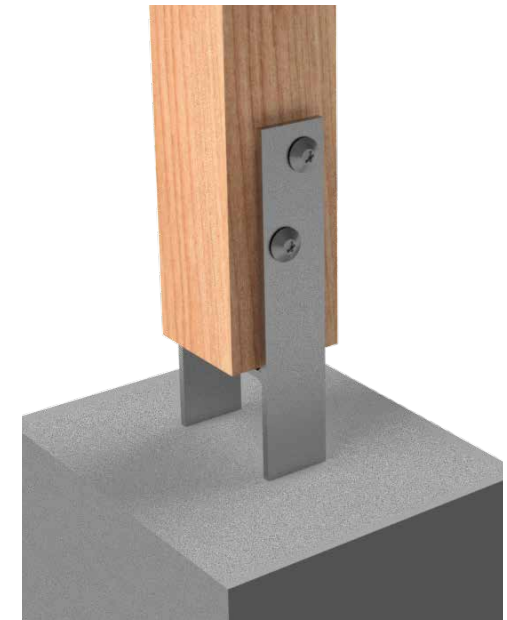
DESIGN CAPACITY DATA

Table 88: Design capacity of stainless steel cyclonic post support

Load Directions	Design Capacity, N _{dj} (kN) for timber species group JD4
Wind Uplift	41 kN

NOTES:

- The design capacity in Table 88 applies to VUETRADE cyclonic post support where 2x M12 bolts are installed and tightly fastened with nuts.
- Timber post dimensions must have minimum dimensions of 90mm by 90mm section and shall be installed flat to the base of the cyclonic post support.
- The design capacities are calculated based on the assumption that there is sufficient anchorage in the concrete to resist the pull-out force imposed by wind loading.
- Design capacity in above table is for wind uplift (vertical force direction) only and are obtained under the test conditions set out in AS1649-2001 - *Timber - Methods of test for mechanical fasteners and connectors*.
- VUETRADE Post Supports should only be used to resist wind uplift / dead load as specified in the TDS and should not be assumed to provide lateral stability. Sufficient bracing should be provided and approved by a structural engineer for lateral stability.



NOTES:

- Embedment depth of the cyclonic post support should be determined and calculated by a Structural Engineer in order to achieve the reported design load. This usually depends on the type of concrete used, aggregate ratio etc.
- 75mm clearance must be provided to conform to the requirements set out by AS3660:2014 - *Termite management, Part 1: New building work*.
- Use only Stainless Steel M12 bolts when fastening with a Stainless Steel post support; do not use galvanised bolts as it may lead to accelerated corrosion to the post support and the bolts.
- Refer to AS1684.3:2021 Table 9.20 (j) for reinforced rod installation requirements.



COMPLIANCE REFERENCE APPENDIX

DURABILITY CLASSIFICATION AND CORROSION PROTECTION GUIDE FOR VUETRADE TIMBER CONNECTOR PRODUCT

GENERAL

VUETRADE timber connector products are generally manufactured and corrosion protected in one of the following ways,

1. Manufactured with pre-galvanised steel (i.e., Joist Hangers, Triple Grips)
2. Manufactured with steel then hot dip galvanised. (i.e., Galvanised Post Supports)
3. Manufactured in Stainless Steel 304 and Marine Grade Stainless Steel 316 (i.e. Stainless Steel Joist Hangers, Stainless Steel Post Supports)

It is crucial to understand that the usage of different corrosion protection requirement is dependent on various conditions, which are stipulated around different Australian Standards and National Construction Code. This section will help builders and building designers to select the most appropriate corrosion protection to ensure long lasting product life on the job.

EXPOSURE CONDITIONS

To effectively utilise the correct corrosion protection VUETRADE timber connector product offers, the location of product usage shall be clearly established. Generally, VUETRADE products can be used in the following locations;

1. **INTERNAL** – This is usually areas within the building, enclosed and isolated from external environment. Moisture and salt exposures are generally low to none.
2. **EXTERNAL** – Usually denotes areas on the exterior of the buildings that is exposed, either partially or fully by repeated wetting, moisture, and salt.

DURABILITY CLASSIFICATION

It is also necessary to identify the durability requirements when using VUETRADE product. This usually depends on the environmental conditions in which the products are being used and can be categorized based on the distance from the coast. These environmental conditions varies based on several factors such as topography, local climate and localised winds and therefore shall be adequately specified/verified.

Condition	Distance from coast
Breaking Surf	0-1km
	1-10km
	10km+
Sheltered Coastal	0-100 metres
	100m-1km
	1km+
Fresh Water	Subject to frequent wetting and drying

Note: VUETRADE does not cover corrosion protection on heavy industrial areas as additional or highly specific requirements may be required.

AUSTRALIAN STANDARD & NATIONAL CONSTRUCTION CODE CORROSION PROTECTION REQUIREMENTS

AS1684:2021 series

Australian Residential timber-framed construction standard AS1684.2:2021, AS1684.3:2021 clause 115 specified that all connectors, including metal straps, framing anchors shall have a minimum corrosion protection of Z275. The level of corrosion protection needed should also take consideration of factors such as weather exposure, timber treatment, moisture, and presence of salt.

Clause 115 also specifies that whenever corrosion protection is required, sufficient corrosion protection shall be in accordance with the following codes:

- AS/NZS4791:2006 – *Hot-dip galvanized (zinc) coatings on ferrous open sections, applied by an in-line process*
- AS/NZS4534:2006 – *Zinc and zinc/aluminium – alloy coatings on steel wire*
- AS1397:2021 – *Continuous hot-dip metallic coated steel sheet and strips – Coatings of zinc and zinc alloyed with aluminium and magnesium*
- AS/NZS1214:2016 – *Hot-Dip Galvanised Coatings on Steel*

AS2699.1:2020 – Built-in components for masonry construction – Wall Ties

AS2699.1:2020 specified in Section 3 on deemed-to-comply material selection for wall ties shall be as follows:

DURABILITY CLASS R2 – Manufactured from galvanised steel with corrosion protection of minimum Z600 or if galvanised after manufacture shall comply with AS/NZS4680:2006 with 300 g/m² of coating mass.

DURABILITY CLASS R3 – Minimum of 470 g/m² of galvanise after manufacture. Stainless Steel is also acceptable.

DURABILITY CLASS R4 – Manufactured in Stainless Steel 316.

National Construction Code 2022 – ABCB Housing Provisions

Table 5.6.5d from ABCB Housing Provisions of the NCC 2022 provides corrosion protection requirements for masonry wall ties in different exposure conditions along with recommended corrosion protections.

Table 5.6.5d Corrosion protection for wall ties

Exposure condition	Tie specification (minimum corrosion protection)
Areas less than 1km from breaking surf; or less than 100 m from salt water not subject to breaking surf; or within heavy industrial areas.	Grade 316L stainless steel; or engineered polymer complying with the requirements of AS 2699.1.
Areas 1km or more but less than 10km from breaking surf; or 100m or more but less than 1km from salt water not subject to breaking surf.	Sheet steel and bar ties galvanised after manufacture – 470 g/m ² on each side; or galvanised wire ties – 470 g/m ² coating mass; or Grade 304L stainless steel.
All other areas	Galvanised sheet steel – 300 g/m ² coating on each side; or sheet steel ties galvanised after manufacture – 300 g/m ² on each side.

© Commonwealth of Australia and the States and Territories 2022, published by the Australian Building Codes Board.

SELECTION OF SUITABLE CORROSION PROTECTION ON VUETRADE PRODUCTS

Majority of VUETRADE products are adequately corrosion protected to meet all corrosion protection standards mentioned in previous section and are categorized into three main categories,



STANDARD / GALVANISED

- Internal / enclosed
- Exterior/exposed inland areas except if in contact with fresh water or non-saline wetting & drying



MARINE ENVIRONMENT – SS304

- Marine Environment – 100m up to 1km from a non-surf coast and from 1km up to 10km from a surf coast
- External applications in contact with freshwater or subject to non-saline wetting and drying
- Minimum steel grade required Stainless Steel 304



SEVERE MARINE – SS316

- Severe Marine – 100m from a non-surf coast and up to 1km from a surf coast
- Minimum Steel Grade Stainless Steel 316
- No 'Tea Staining', a superficial 'rust' look that occurs on lower grades of Stainless Steel including 304.



COMPLIANCE REFERENCE APPENDIX

VUETRADE BUILDER'S STRAPPING DESIGN GUIDE AND COMPLIANCE

GENERAL

This section will provide guidance and compliance details on VUETRADE bracing products. This guide covers the following products:

- VUETRADE Punched Builder's Strapping
- VUETRADE Punched Builder's Strapping Strip
- VUEBRACE Unpunched Builder's Strapping
- VUETRADE Angle Brace
- VUEBRACE Stainless Steel Builder's Strapping

UNDERSTANDING AS1684.2:2021 BRACING REQUIREMENTS

The usage of metal straps for bracing purposes are detailed in Section 8 of AS1684 series, specifically in Clause 8.3.6.3 on structural wall bracing. AS1684.2:2021 Table 8.18 provides different bracing capacity based on type of bracing style used.

These bracing capacities are expressed as its unit capacity in kN per lineal metre of braced wall. AS1684.2:2021 Clause 8.3.1 (e)(ii) specifically mentioned:

The total capacity of each brace is equal to the length of the braced wall multiplied by its unit capacity (kN/m) as given in Table 8.18. For example, a diagonal brace Type (c) as per Table 8.18 has a total capacity of 15 kN/m x length of bracing wall = 15 kN/m x 2.4m = 3.6 kN for a 2.4m long section of braced wall.

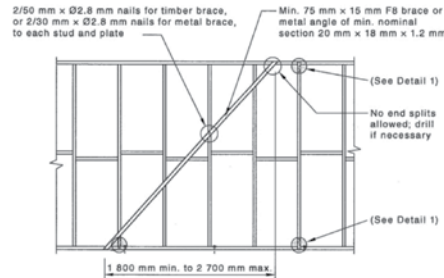
The bracing capacities shown in Table 8.18, is limited to the specified spacing between straps. Take example from Table 8.18 (b), bracing capacity of 15kN/m can be achieved if used within spacing between straps of 1800mm to 2700mm. This applies to wall heights as well, however AS1684.2:2021 Section 8.3.6.4 has provided a multiplier table 8.19 that allow bracing to be used at wall height larger than 2700mm, up to 3900mm max.

AS 1684.2:2021, Table 8.19: Multiplier Table

Wall Height (mm)	Multiplier
3000	0.9
3300	0.8
3600	0.75
3900	0.7

Table 8.18 (c) – METAL ANGLE BRACES

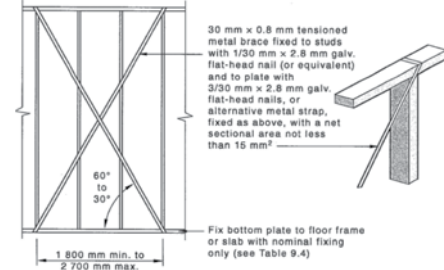
Bracing Capacity – 15 kN/m



(Figure extracted from AS1684.2:2021 Table 8.18 (c))

Table 8.18 (b) – METAL STRAPS – TENSIONED

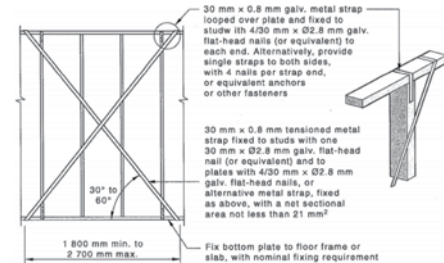
Bracing Capacity – 15 kN/m



(Figure extracted from AS1684.2:2021 Table 8.18 (b))

Table 8.18 (d) – METAL STRAPS – TENSIONED – WITH STUD STRAPS

Bracing Capacity – 3.0 kN/m



(Figure extracted from AS1684.2:2021 Table 8.18 (d))

BRACING SIZE SELECTION AND COMPLIANCE TO AS1684.2:2021

Bracing methods shown previously in AS1684.2:2021 Table 8.18 (b), (c) & (d) also covers the details on the minimum sectional size metal braces should adhere to.

Table 8.18 (b) specifies the follow,

30mm x 0.8mm tensioned metal strap fixed to studs; or alternative metal straps fixed with a net sectional area not less than 15mm²

Table 8.18 (d) specifies the follow,

'30mm x 0.8mm tensioned metal strap fixed to studs; or alternative metal straps fixed with a net sectional area not less than 21mm²

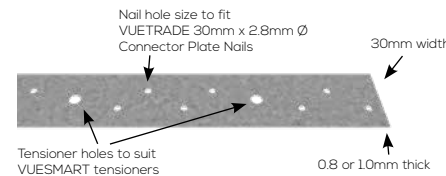
Despite 30mm x 0.8mm = 24mm² seems to meet the requirement of 21mm², however due to reduction in area by hole punched for nails and tensioner bolts, the net sectional area after reduction usually yield area less than 21mm², making steel brace of 30mm x 0.8mm not suitable for bracing required by AS1684.2:2021 Table 8.18(d).

To comply with the requirement, a larger sized bracing strap would be required. A metal strap 30mm x 1.0mm (30mm² in area), along with the reduction of area due to nail and tensioner holes will still yield a net sectional area of larger than 21mm², therefore complies with the standard stipulated in AS1684.2:2021 Table 8.18 (d).

VUEBRACE NET SECTIONAL AREA COMPLIANCE

VUEBRACE Builder's Strapping complies with the minimum net sectional area of strap required in AS1684.2:2021 & AS1684.3:2021 as follow:

- VUEBRACE 30mm x 0.8mm complies with min net sectional area of 15mm² for use on structural wall bracing following specification provided in AS1684.2:2021 & AS1684.3:2021 Table 8.18(b).
- VUEBRACE 30mm x 1.0mm complies with min net sectional area of 21mm² for use on structural wall bracing following specification provided in AS1684.2:2021 & AS1684.3:2021 Table 8.18 (d).



VUEBRACE BUILDER'S STRAPPING COMPLIANCE TO AUSTRALIAN STANDARD

VUEBRACE Builder's Strapping, when installed and used with its intended purpose depicted in VUETRADE Technical Data Sheet, meets and complies the following Australian Standards,

1. Usage as structural bracing in accordance with AS1684.2:2021, AS1684.3:2021 Table 8.18 (b) and Table 8.18(d).
2. VUEBRACE 30mm x 0.8mm, 30mm x 1.0mm and 30mm x 1.2mm meets and exceeds the minimum net sectional area of 15mm² required by AS1684.2:2021 Table 8.18 (b).
3. VUEBRACE 30mm x 1.0mm and 30mm x 1.2mm meets and exceeds the minimum net sectional area of 21mm² required by AS1684.2:2021 Table 8.18(d).
4. Meets the minimum corrosion protection of Z275 as required in AS1684 Clause 115: Steel grade and corrosion protection.
5. Corrosion protection of Z275 of VUEBRACE complies with coating mass requirements listed in AS1397:2021.
6. Meets the minimum grade of G300 as required in AS1684 Clause 115: Steel grade and corrosion protection.
7. G300 material of VUEBRACE complies with material specification listed in AS1397:2021 for G300 material.



COMPLIANCE REFERENCE APPENDIX

TECHNICAL GUIDELINES ON FASTENING METHODS

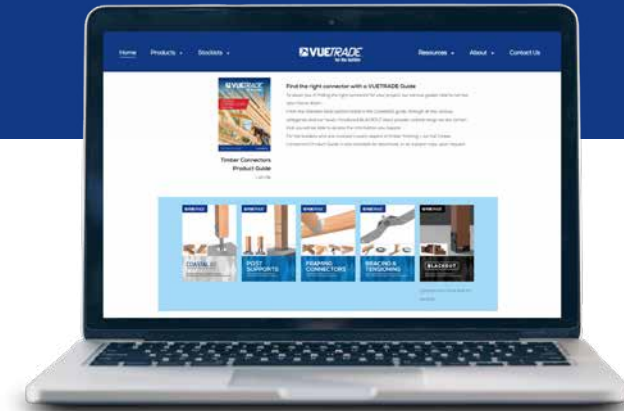
VUETRADE strongly recommends all timber connector products are installed as per the installation instructions on the relevant Technical Data Sheet, using the recommended type and quantity of fasteners.

It is critical to confirm that any fastening method is in accordance with local building standards.

MACHINE DRIVEN NAILS TECHNICAL SPECIFICATION

When machine driven nails are used in lieu of 2.8mm Ø hand driven nails specified for the metal connectors/ hangers, following shall be considered:

- Either the stated connector capacity shall be reduced by 20% or alternatively the number of nails used shall be increased by 20%.
- Nail gun nails shall not be driven through the existing nail holes, rather it should be installed min. 5mm away from the existing hole or metal edge.
- Nail gun nails shall be installed in similar pattern to the nominated holes as per product specification.
- Minimum nail spacing in accordance with AS17201 shall be met:
 - Timber end distance = 40mm
 - Timber edge distance = 10mm
 - Spacing between nails (across the grain) = 20mm
 - Spacing between nails (along the grain) = 40mm
- Nail gun nails shall not be driven at high pressure
- Nails shall not penetrate entirely through the sheet material of the connector.



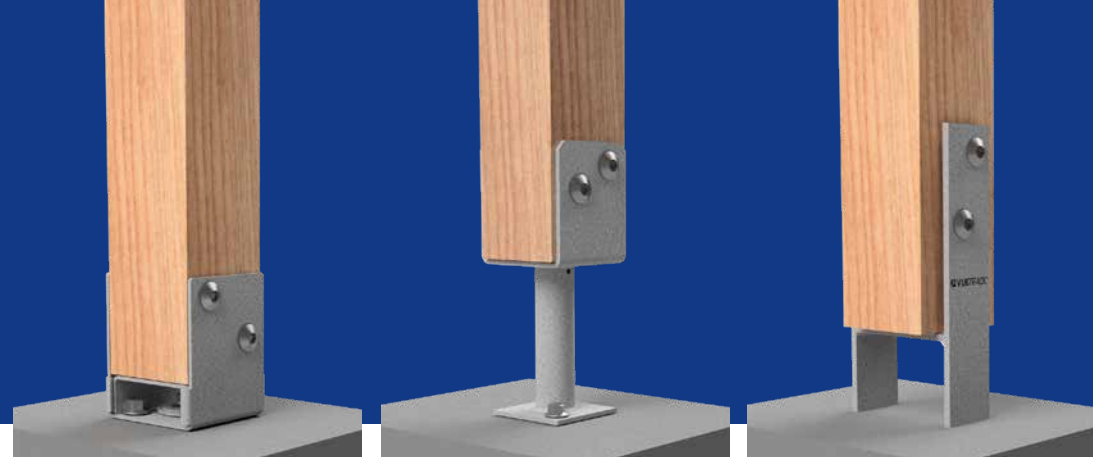
vuetrade.com



Head to www.vuetrade.com for the latest PDF version of this Compliance Guide, our Timber Connectors Product Guide and individual Product TDS's along with a whole other bunch of useful resources and searching tools.

POST SUPPORT BUYERS GUIDE

Where 'xx' is listed in the product code this denotes a leg / height variable that does not affect matching of timber size or VUEBOLT.



SADDLED POST SUPPORTS

Icons	Product	Code	Timber Post Size (SQUARE)												
			75	90	100	115	125	135	140	150	180	200 mm			
	Tradies Bolt Down	VTBPS		VTBPS 90											
 	Bolt Down	VBPS		VBPS 90	VBPS 100		VBPS 115	VBPS 125	VBPS 135(SS)	VBPS 140(SS)	VBPS 150(SS)			VBPS 200(SS)	
 	Heavy Duty U-Cup Bolt Down	VHDBPS	VHDBPS 75	VHDBPS 90	VHDBPS 100		VHDBPS 115	VHDBPS 125		VHDBPS 140	VHDBPS 150				
 	Full Stirrup	VPS		VPS xx90	VPS xx100		VPS xx115	VPS xx125	VPS xx135	VPS xx140	VPS xx150				
 	Cyclonic Post Support	VCYPS	VCYPS 60075	VCYPS xx90	VCYPS xx100		VCYPS xx115	VCYPS xx125		VCYPS xx140	VCYPS xx150	VCYPS xx180			
 	Suitable VUEBOLT			VUEBOLT M12 x 90 - 110mm				VUEBOLT M12 x 110 - 150mm							

Galvanised
 Stainless Steel 304
 Stainless Steel 316
 Cyclonic
 Bolted to Concrete
 Cast Into Concrete

POST SUPPORT BUYERS GUIDE



BLADED POST SUPPORTS

Icons	Product	Code	Timber Post Size (SQUARE)	Timber Post Size (SQUARE)								
				90	100	115	140	150	180*	230	250**	350 mm
	T-Blade	VBPTB		VBPTB 90100		VBPTB 115140		VBPTB 150180		VBPTB 180200***		VBPTB 250350
	T-Blade with Leg	VHDBLPS		VHDBLPS 60080		VHDBLPS 600110		VHDBLPS 300140 SOLID & 600140 SOLID		VHDBLPS 600180		
	Concealed Bolt Down	VCBPS		VCBPS 90								
	Suitable VUEBOLT			VUEBOLT M12 x 90 - 110mm		VUEBOLT M16 x 110 - 150mm		VUEBOLT M16 x 150 - 230mm				VUEBOLT M20 x 230 - 360mm

If your post support or timber size isn't listed, please contact us for appropriate solutions and fastening information.

* Exactly 180mm square timber posts can be secured by the following five products: VBPTB 150180 & 180200, and VHDBLPS 300140 SOLID, 600140 SOLID & 600180.

** Exactly 250mm square timber posts can be secured by the following three products: VBPTB 180200 & 250350, and VHDBLPS 600180.

*** The largest size timber that can be secured on a VBPTB 180200 post with a VUEBOLT is 230mm square. This support can secure up to 250mm size timber using other appropriate M16 bolts fastened with hex nuts.

TIMBER CONNECTORS AREA USAGE CHART

To assist with proper product specification and to ensure the correct grade steel is used for the local area or environment; VUETRADE have developed unique and easy to understand icons for our Timber Connectors range.

We also have a coordinating chart which gives a visual guide as to which products should be used in proximity to different environmental factors.

BREAKING SURF:

Breaking surf environments, as the name indicates, relates to areas in proximity to the coast where there is rolling surf breaking onto beaches or rocks. In these environments, salt content in the air is much higher and is carried by the wind. The closer you are to breaking surf the more the elements will affect your home or construction. It's also important to note that windblown salt spray can reach a long way inland, depending on the conditions. These types of areas are classified as Severe Marine as the degrading of steel from saltwater attack happens very quickly.

SHELTERED COASTAL:

Sheltered Coastal environments are locations where there is no breaking surf in the vicinity, for example very sheltered bay areas, salt water harbours and salt water river estuaries. The salt content in the air will be lower as the water isn't breaking, however these areas are considered Marine Environment as degrading of steel will occur due to the salt content in the air.

FRESHWATER:

Where there will be constant contact with freshwater or frequent wetting and drying. This could also apply to areas where there is excessive dampness and any timber connectors used will be constantly damp.

POOLS:

Areas of decking around pools, whether it is a freshwater or saltwater pool, will be subjected to more frequent wetting and drying. If it is a Saltwater pool it is recommended to use Stainless Steel Brackets as degradation and corrosion will occur if galvanised brackets are used. As with Freshwater above, if there will be excessive splashing and frequent wetting and drying of the brackets from non-saltwater pool, it may be more practical to use stainless steel fixings and brackets.

STANDARD:

Standard locations are inland areas that are not exposed to salt attack or freshwater wetting and drying.

Follow the questions below to consider what environment your site is located in.

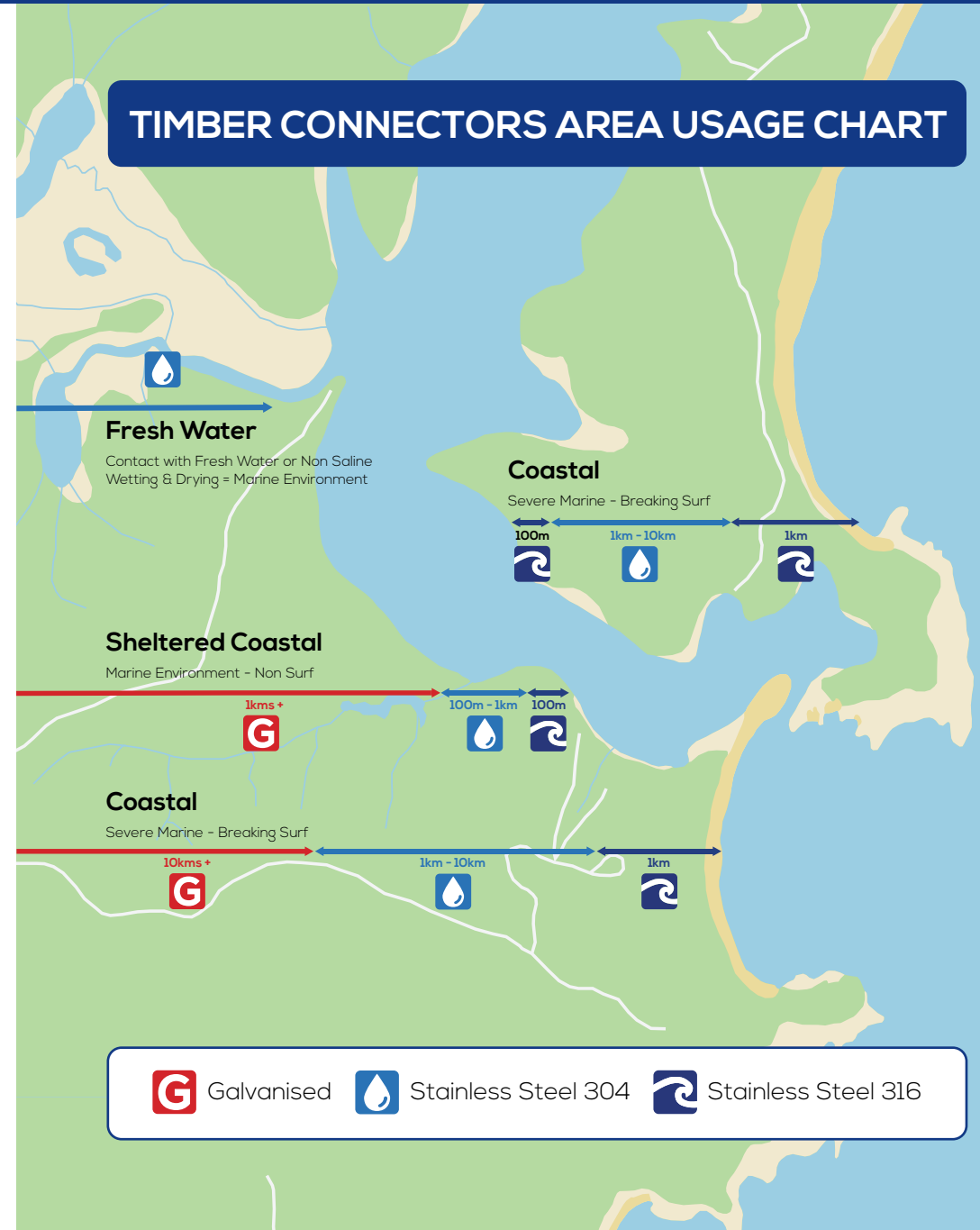
1. What type of environment are you planning to build near?

- a. Breaking Surf
- b. Sheltered Coastal
- c. Fresh Water

2. Distance to the environment?

- a. Breaking Surf:
 - i. 0 - 1kms
 - ii. 1 - 10kms
 - iii. 10 kms+
- b. Sheltered Coastal:
 - i. 0 - 100 metres
 - ii. 100m - 1km
 - iii. 1 km+
- c. Fresh Water (if subject to frequent wetting and drying)

Be sure to consider other elements such as proximity to industrial areas to get the best possible result and longevity of your metallic timber connection.





1300 850 520

www.vuetrade.com

technical@bellevuegroup.com.au