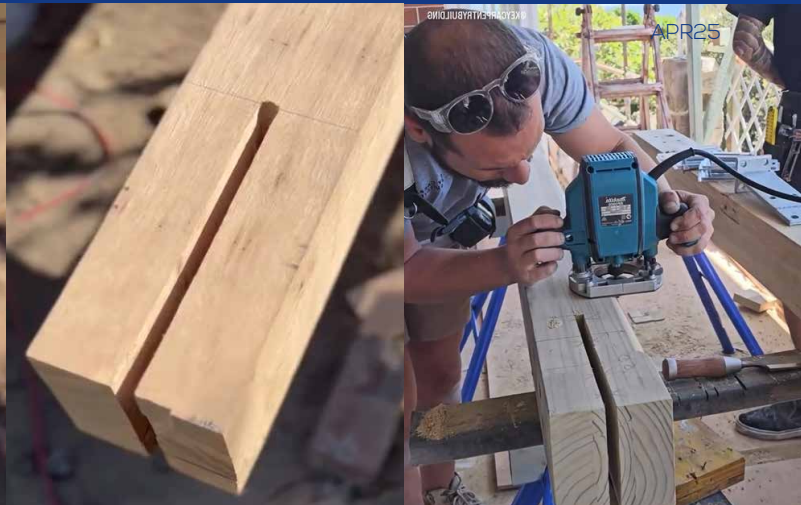


# T-BLADE POST SUPPORT - INSTALLATION GUIDE



Scan here  
to watch these instructions  
as a short animated video.  
[vuetrade.com/t-blade](http://vuetrade.com/t-blade)



Images and Projects (L-R): FS Building Innovations, Flixton Projects, Key Carpentry

Whether this is your first time installing a T-Blade, or you are looking for a refresh, follow the below steps and refer to the other resources available at [vuetrade.com/t-blade](http://vuetrade.com/t-blade)

## STEP 1



### Mark measurements onto your timber post

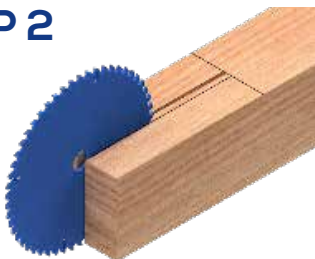
Using the blade as a template, place it onto the timber and mark the hole locations and the top of the blade. Remember to account for your required distance from the timber base to the ground, or if you are planning a flush finish to the timber cap.

After marking the locations of the bolt holes turn the timber to mark out the slot location to be central.



A T-Blade **Cutting Schedule** is available through this link which details hole locations, dimensions as well as the slot height and width if dimensions are required prior to receiving the post support to site.

## STEP 2



### Cut a slot into the timber post base

Cut out a 10.0mm wide slot (12.0mm for the large 250350 T-Blade) in the centre of the timber post base to the height that you have marked out in the first step.

A popular slot cutting method is to use a circular saw twice to create a controlled smooth and safe cut.

It may be necessary to use a drill to clean the slot and remove any left over timber remnants.

## STEP 3



### Drill bolt holes into the side of the timber post

Using the marked holes, drill holes through the full timber post width with a suitable sized drill bit to suit the size of your fastening bolts.

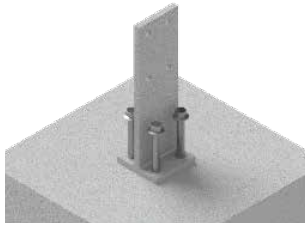
The required bolt size to match your post support is noted on the T-Blade label and is also available online in the above Cutting Schedule.

**See following page for further steps**

# T-BLADE POST SUPPORT - INSTALLATION GUIDE

APR25

## STEP 4



### Bolt down the T-Blade

Place the post support in the level installation position, then mark locations for where to drill the anchoring bolts.

Drill holes for anchoring bolts as per manufacturers instructions.

Once the dust is removed, again place the T-Blade into the level installation position and install the anchoring bolts as per manufacturers instructions to secure the post support to ground.

## STEP 5\*



### Slide on the cap ( \*OPTIONAL )

If using a cap for a concealed look, slide this cap over the blade now.

These caps do not assist in the structural capacity of the support, but conceal the anchoring bolts and can assist in minimising dirt build-up.

Each T-Blade has a corresponding cap size to suit.

Ensure you fit the bolt concealing cap **prior** to bolting the post to the post support as the T-Blade Caps cannot be retro-fitted!

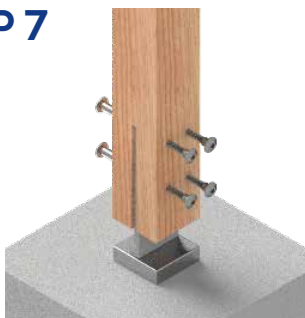
## STEP 6



### Slide on the timber post

Carefully slide the timber in to position on the blade, the pre-drilled holes in the timber post will match up with the holes in the post support ready for fastening.

## STEP 7



### Secure the timber with VUEBOLTS

Using the appropriate size of VUEBOLTS (or appropriate substitute bolts securely fastened with hex nuts) to secure the timber to the T-Blade.

If securing timber using two fastening bolts rather than four, the bolts should be fixed using non-adjacent bolt holes (diagonally). For further information on this alternative method and its reduced design capacities refer to the T-Blade Technical Data Sheet available at [vuetrade.com/t-blade](http://vuetrade.com/t-blade).

## STEP 8



### Complete

Your T-Blade installation has now secured the timber to the ground. Enjoy the cleanest post support option available.

For any further assistance, see our resources available on the T-Blade webpage [vuetrade.com/t-blade](http://vuetrade.com/t-blade), or feel welcome to reach out to us.

Don't forget to take a photo of your project to share with [@vuetrade](https://www.instagram.com/vuetrade) on Instagram or Facebook.