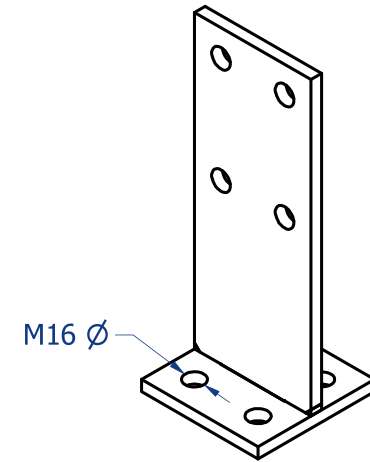
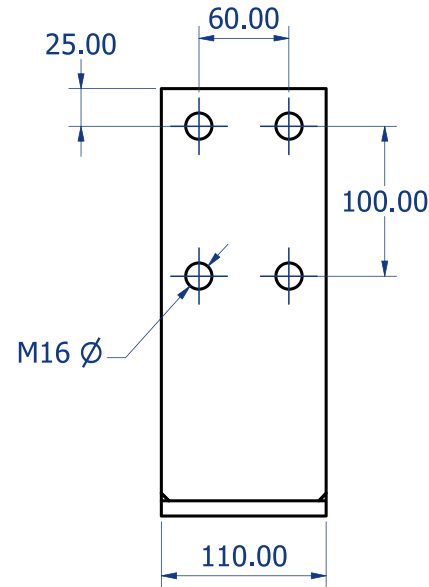
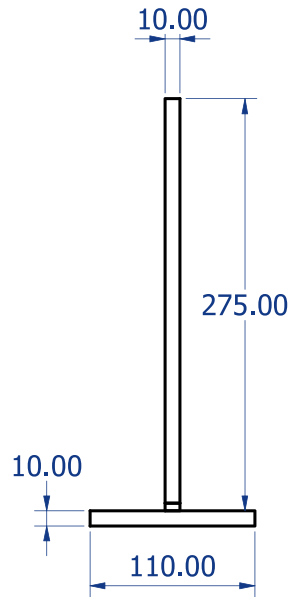


# T-Blade Timber Cutting Schedule & Dimensions

In conjunction with this document we also recommend to read the T-Blade Technical Data Sheet (TDS) available on our website [vuetrade.com](http://vuetrade.com)

**VBPTB115140**

**Post Size Suitability:** 115 - 140mm square



# T-Blade

## Timber Cutting Schedule & Dimensions

### VBPTB115140

#### RECOMMENDED WORKFLOW:

1. Establish centre line based on timber size.  
(**FRONT & SIDE** face)
2. Determine if you are allocating a gap to resist termites, to install the T-Blade Cap, or for the heads of the anchoring bolts. Minimum gap sizes shown.
3. Establish T-Blade height on **FRONT & SIDE** faces.  
(Accounting for gap as required)
4. Measure and cut out blade slot measured from centre line and T-Blade height.  
(**SIDE** face)
5. Measure and cut out 4x bolt holes measured from established centreline and T-Blade height.  
(**FRONT** face)

#### GENERAL NOTES:

- Timber size 140 x 140 mm is for example only. Dimensions are applicable to timber sizes 115 - 140mm.
- Bolt size hole cut-out of 18mm Ø (metric) or 3/4" Ø (imperial) to suit M16 sized bolts.
- Shaded region denotes T-Blade Post Support.
- **VUEBOLT M16 x 110-150mm** is the corresponding size for use with this T-Blade.

