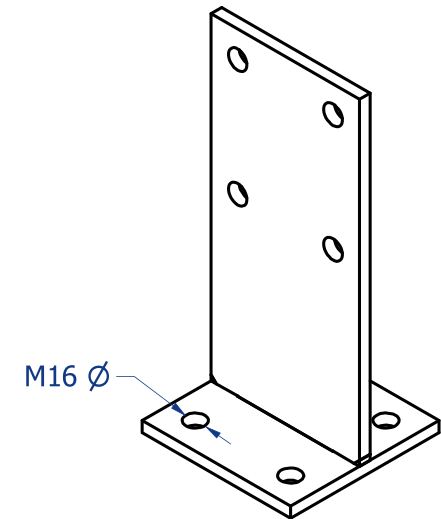
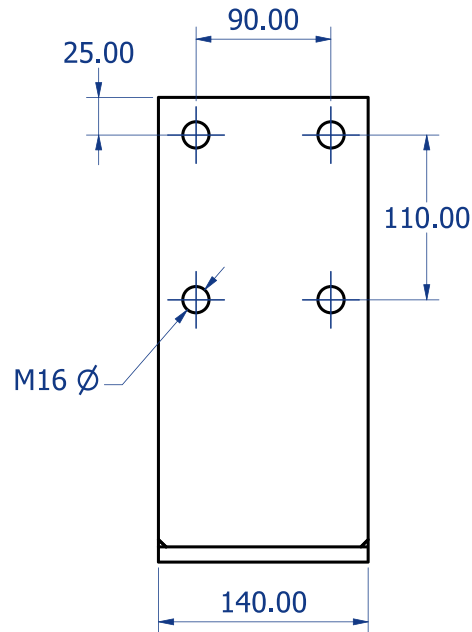
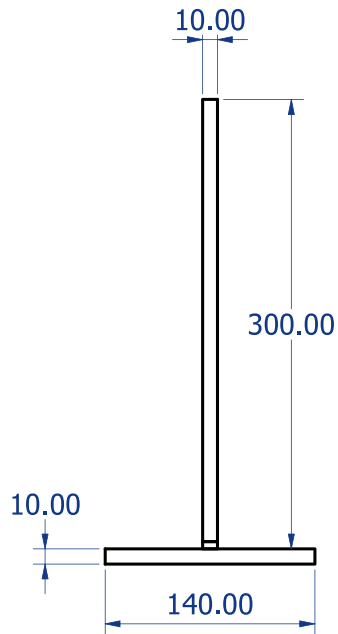


T-Blade Timber Cutting Schedule & Dimensions

In conjunction with this document we also recommend to read the T-Blade Technical Data Sheet (TDS) available on our website vuetrade.com

VBPTB150180

Post Size Suitability: 150 - 180mm square



T-Blade

Timber Cutting Schedule & Dimensions

VBPTB150180

RECOMMENDED WORKFLOW:

1. Establish centre line based on timber size.
(**FRONT & SIDE** face)
2. Determine if you are allocating a gap to resist termites, to install the T-Blade Cap, or for the heads of the anchoring bolts. Minimum gap sizes shown.
3. Establish T-Blade height on **FRONT & SIDE** faces.
(Accounting for gap as required)
4. Measure and cut out blade slot measured from centre line and T-Blade height.
(**SIDE** face)
5. Measure and cut out 4x bolt holes measured from established centreline and T-Blade height.
(**FRONT** face)

GENERAL NOTES:

- Timber size 180 x 180 mm is for example only. Dimensions are applicable to timber sizes 150 - 180mm.
- Bolt size hole cut-out of 18mm Ø (metric) or 3/4" Ø (imperial) to suit M16 sized bolts.
- Shaded region denotes T-Blade Post Support.
- **VUEBOLT M16 x 150-230mm** is the corresponding size for use with this T-Blade.

