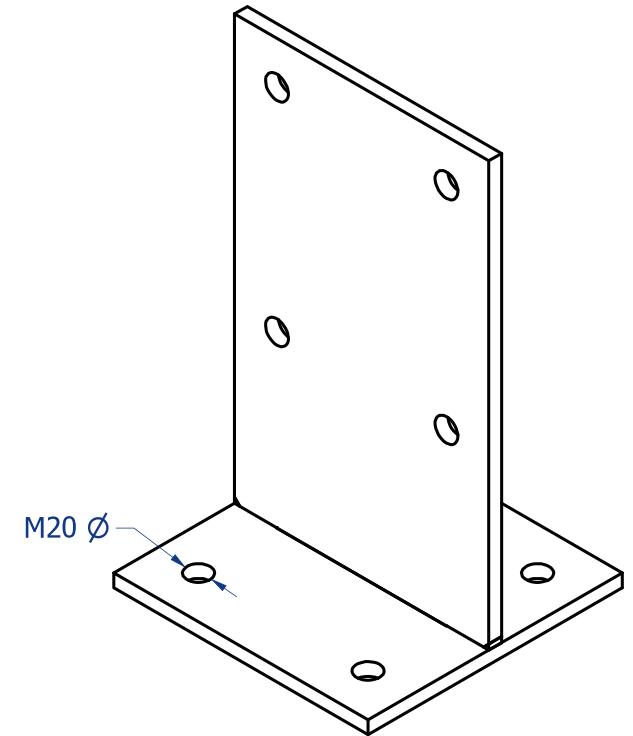
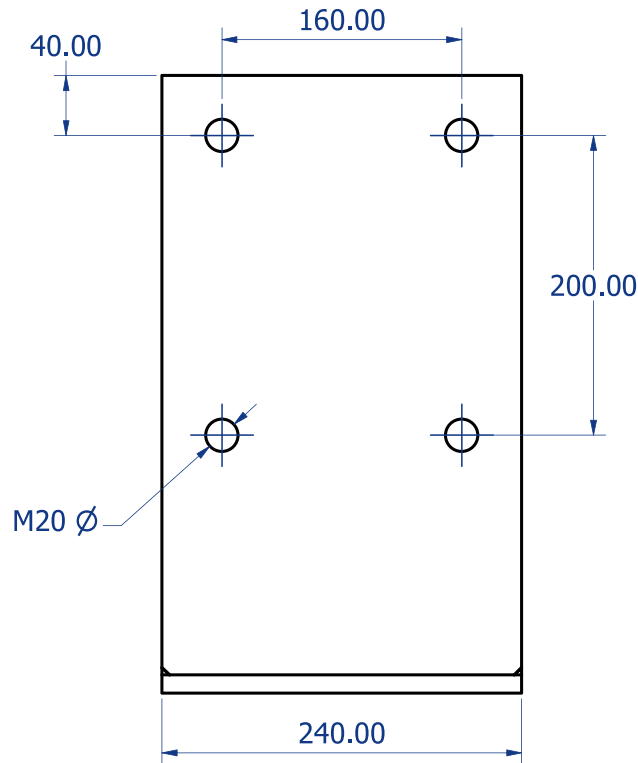
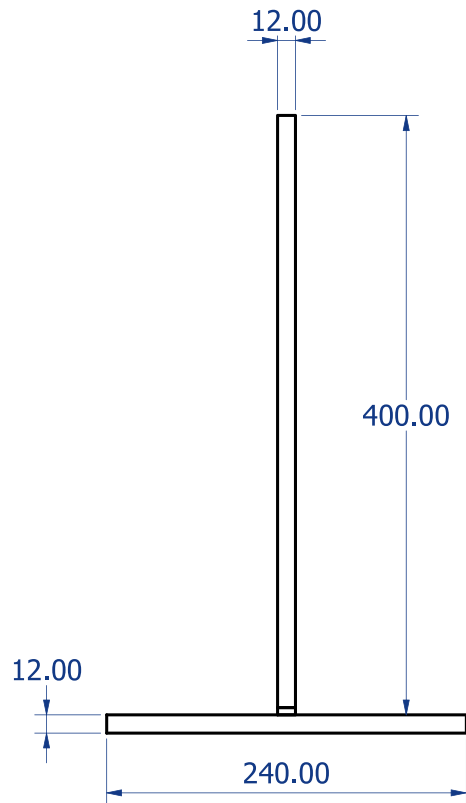


T-Blade Timber Cutting Schedule & Dimensions

In conjunction with this document we also recommend to read the T-Blade Technical Data Sheet (TDS) available on our website vuetrade.com

VBPTB250350

Post Size Suitability: 250 - 350mm square



T-Blade Timber Cutting Schedule & Dimensions

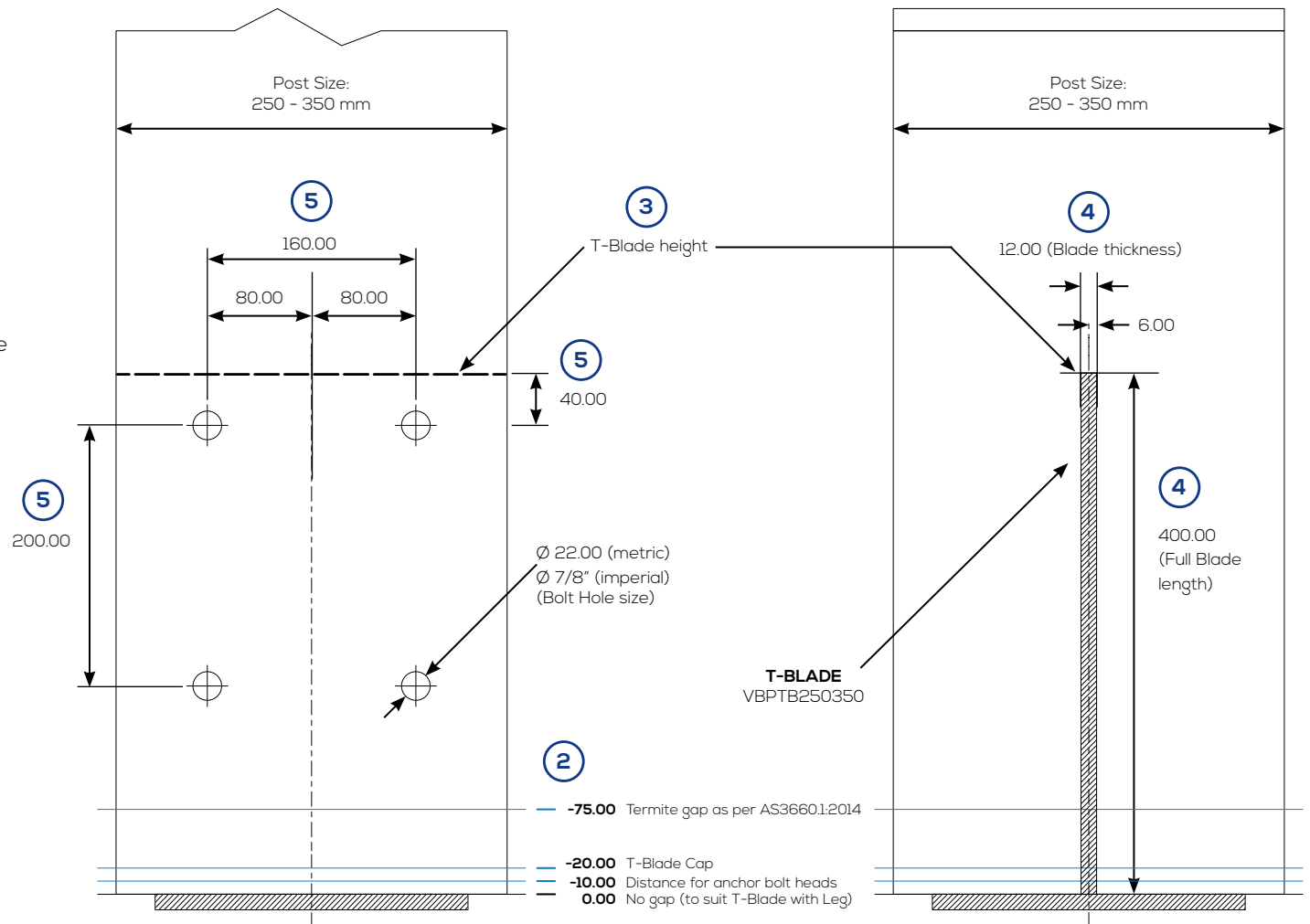
VBPTB250350

RECOMMENDED WORKFLOW:

1. Establish centre line based on timber size.
(**FRONT & SIDE** face)
2. Determine if you are allocating a gap to resist termites, to install the T-Blade Cap, or for the heads of the anchoring bolts. Minimum gap sizes shown.
3. Establish T-Blade height on **FRONT & SIDE** faces.
(Accounting for gap as required)
4. Measure and cut out blade slot measured from centre line and T-Blade height.
(**SIDE** face)
5. Measure and cut out 4x bolt holes measured from established centreline and T-Blade height.
(**FRONT** face)

GENERAL NOTES:

- Timber size 300 x 300 mm is for example only. Dimensions are applicable to timber sizes 250 - 350mm.
- Bolt size hole cut-out of 22mm Ø (metric) or 7/8" Ø (imperial) to suit M20 sized bolts.
- Shaded region denotes T-Blade Post Support.
- **VUEBOLT M20 x 230-360mm** is the corresponding size for use with this T-Blade.



1 ESTABLISH CENTRE LINE

FRONT

1 ESTABLISH CENTRE LINE

SIDE