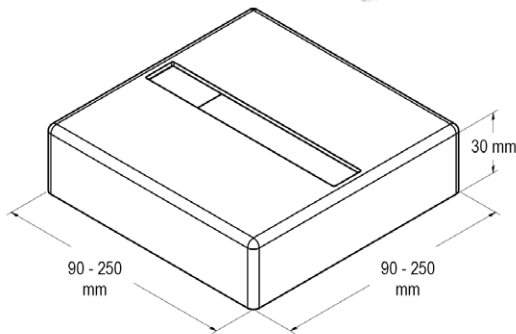




# T-BLADE POST SUPPORT CAPS

JUL26



## APPLICATION

T-Blade Post Support Caps are non-structural concealing caps designed for placing onto the base of a T-Blade Post Support to visually conceal the anchoring bolts and base.

## SPECIFICATION

VUETRADE Stainless Steel T-Blade Post Support Caps are made of 3.0mm thick 316 grade stainless steel and are available in sizes to suit each T-Blade.

They are sized 10.0mm wider than the base of the T-Blade, and when correctly installed are not in direct contact to either the post support or its anchoring bolts. This allows them to be used with any material grade of support.

See T-Blade installation guide for correct installation procedure.

## SIZES

Product Code	Size	Box Qty
VBPTB90100CAP	90 x 90 x 30mm	6
VBPTB115140CAP	120 x 120 x 30mm	6
VBPTB150180CAP	150 x 150 x 30mm	4
VBPTB180200CAP	190 x 190 x 30mm	2
VBPTB250350CAP	250 x 250 x 30mm	1
VBPTB90100CAPBK *	90 x 90 x 30mm	6
VBPTB115140CAPBK *	120 x 120 x 30mm	6
VBPTB150180CAPBK *	150 x 150 x 30mm	4
VBPTB180200CAPBK *	190 x 190 x 30mm	2

\* BLACKOUT T-Blade Caps are manufactured in 3.0mm 316 stainless steel, and then black powder coated.

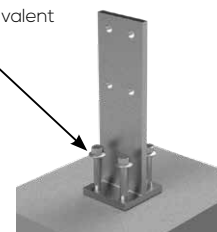
## T-BLADE CAP INSTALLATION GUIDE

Cut a slot in the middle of timber to height

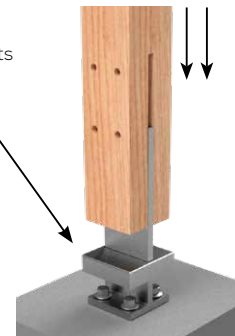


Drill appropriate Ø holes in timber to fit bolts

Install 4x appropriate sized concrete bolts or equivalent to ground

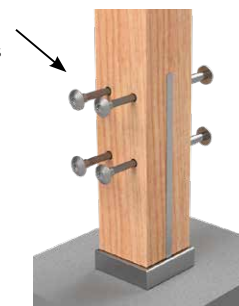


Place a T-Blade cap to hide concrete bolts (see note 2)



Slide timber to T-Blade

Install 4x VUEBOLT or appropriate bolts fastened with hex nuts



## NOTES:

- VUETRADE has prepared a comprehensive cutting schedule for all sizes of T-Blade post supports containing precise cutting and drilling measurements. Refer to the VUETRADE T-Blade Post Support webpage to access the cutting schedule.
- T-Blade cap sold separately, VUETRADE recommends fitting T-Blade caps on T-Blade for concealed finish. Visit the VUETRADE T-Blade Cap webpage for more information.
- VUEBOLT may be used as an alternative to standard bolts when fixing post support to timber posts for a concealed and smooth finish.

